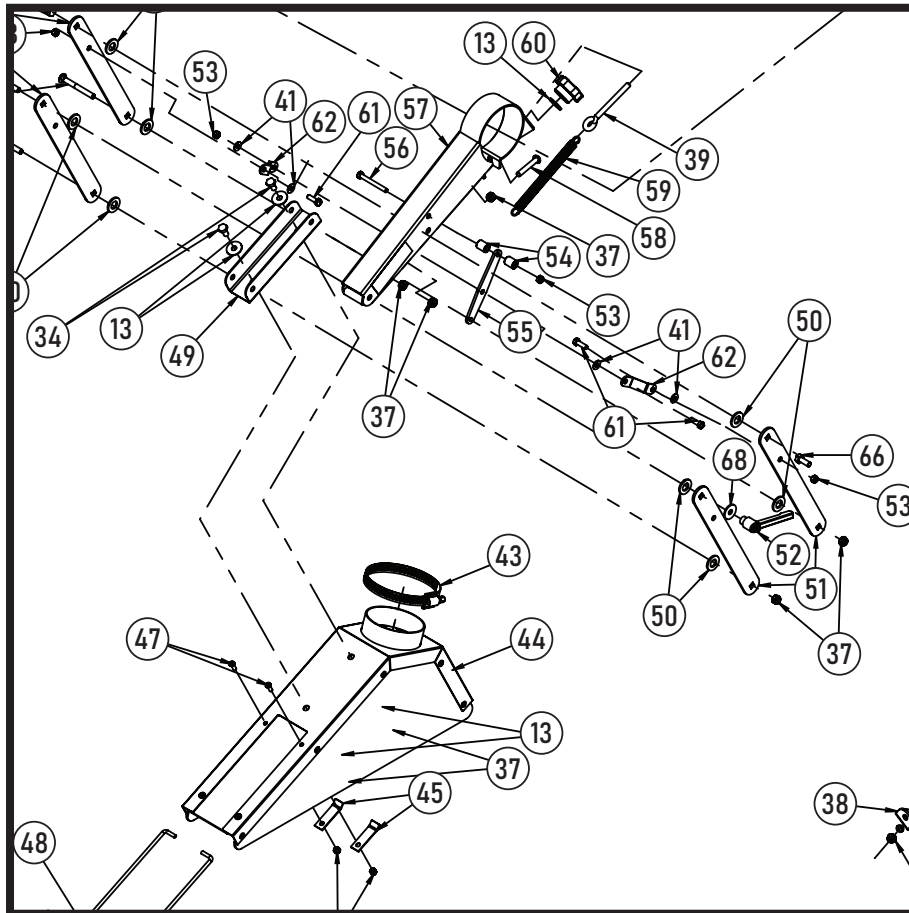




Model TSG-FDC

# Floating Dust Collection Guard

## Parts List

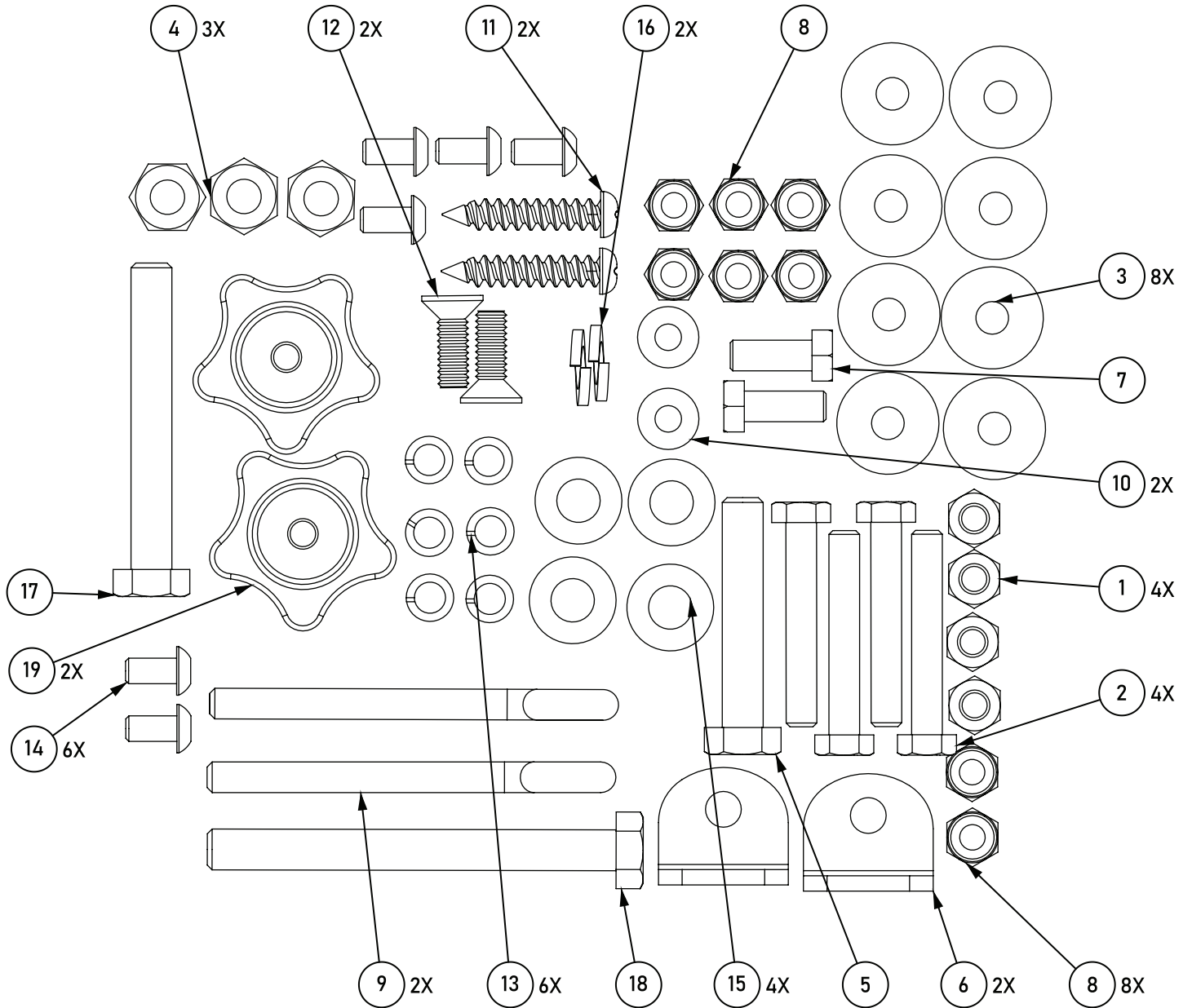


## Table of Contents

Hardware Bag .....	3
Dust Tube Assembly .....	5
Floating Guard Assembly .....	6
Dust Tube Hardware Kit .....	7
Floating Guard Hardware Kit .....	8
Mounting Bracket Assembly .....	9
Mounting Bracket Hardware Kit .....	11
Support Leg Assembly .....	13
Support Leg Hardware Kit .....	14
Extension Leg Assembly .....	15
Extension Leg Hardware Kit .....	16



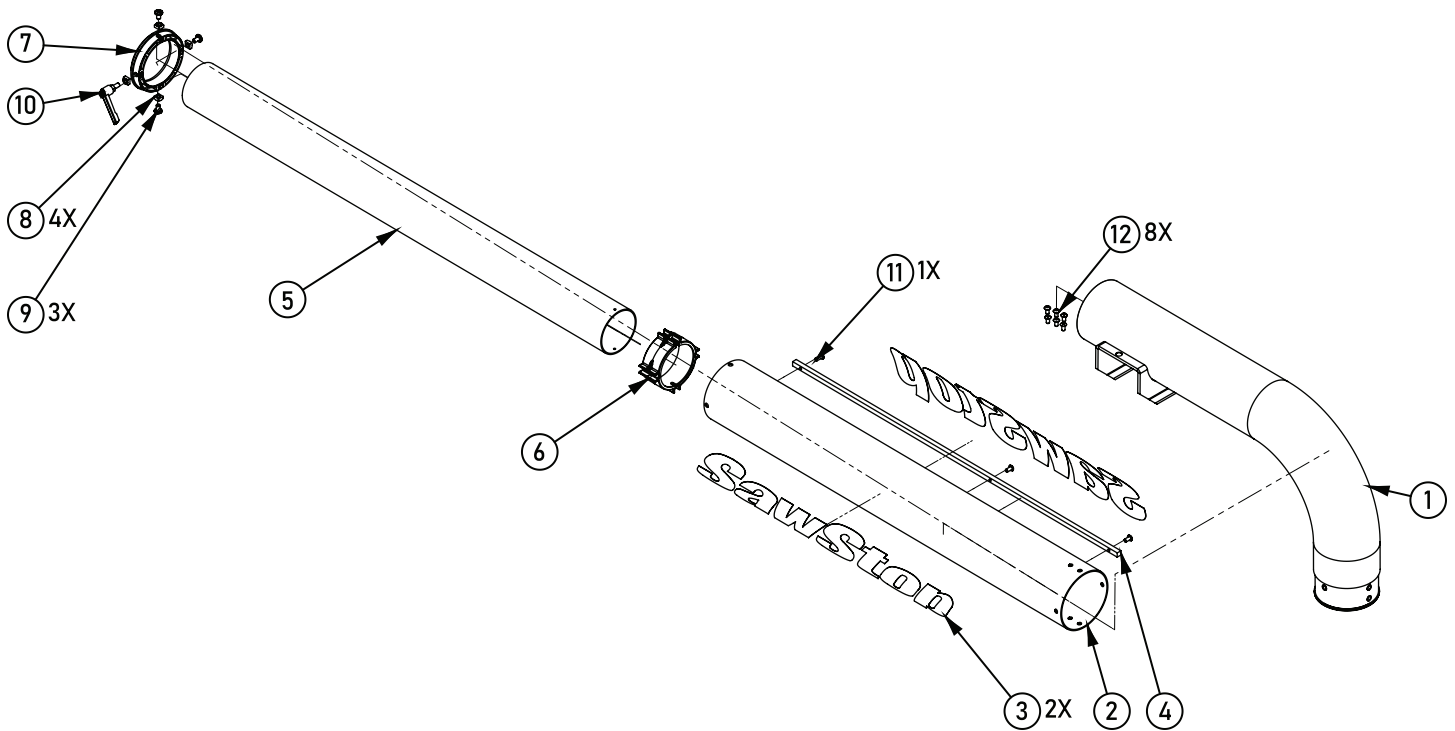
# Hardware Bag



## Hardware Bag

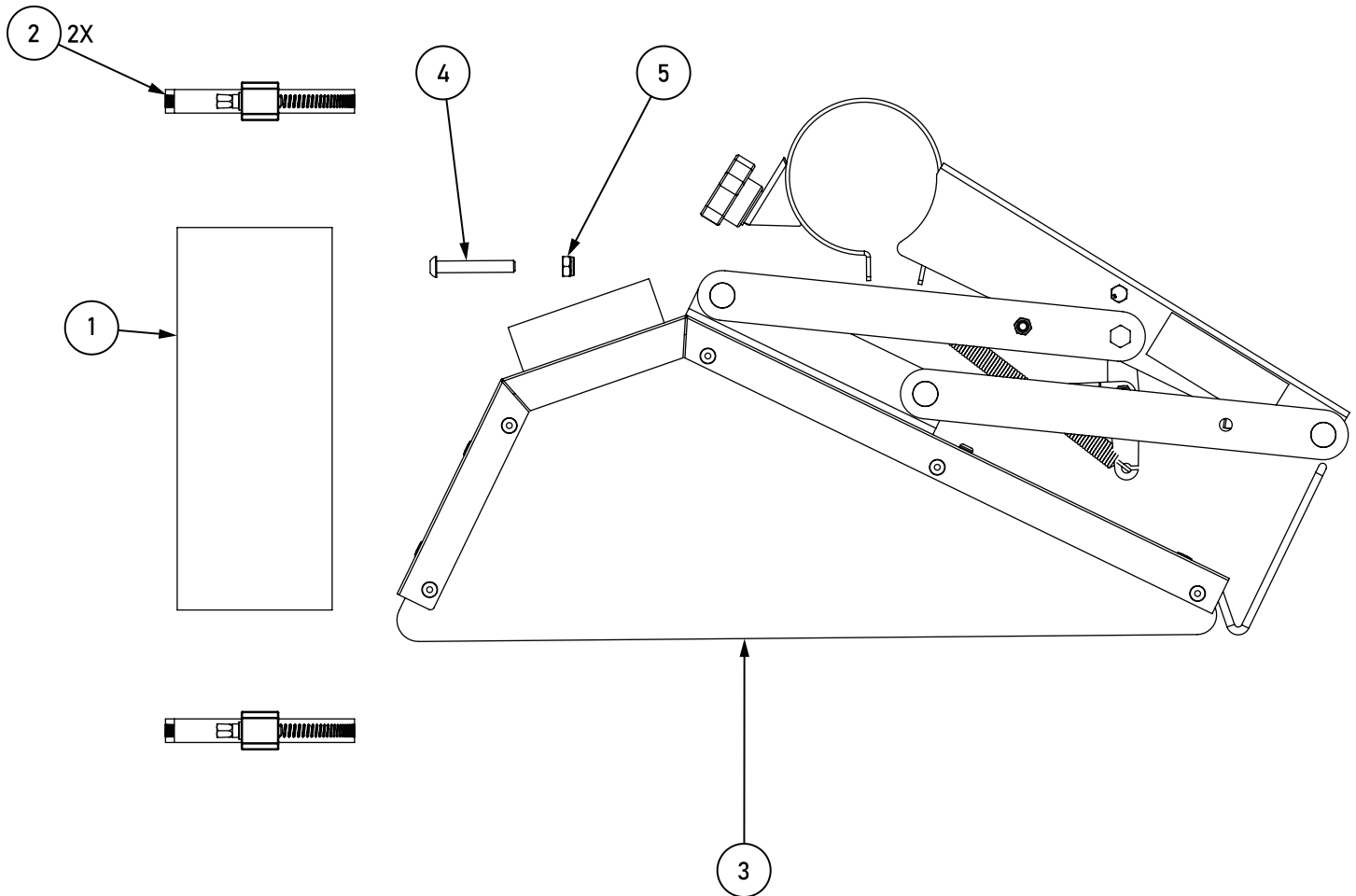
No.	Description	Part No.	Qty.
1	NUT, M6X1.0, SILVER ZINC	02-001693-00	4
2	BOLT, M6X1.0, 40MM, HEX HEAD, SILVER ZINC	01-002148-40	4
3	WASHER, M6, FLAT, 20MM ODX1MM THK, SILVER ZINC	03-005908-00	8
4	NUT, M8X1.25, BLACK ZINC	02-002637-00	3
5	BOLT, M8X1.25, 45MM, HEX HEAD, BLACK ZINC	01-002515-45	1
6	BRACKET, MOUNTING, LEG SUPPORT, TSG-FDC	32-002262-00	2
7	BOLT, M6X1.0, 16MM, HEX HEAD, SILVER ZINC	01-002148-16	2
8	NUT, M6X1.0, NYLON INSERT, SILVER ZINC	02-001909-00	8
9	EYE BOLT, 10.5MMID, M6X1.0, 80MM, SILVER ZINC	04-005834-01	2
10	WASHER, M5, FLAT, 12MMODX0.8MMTHK, SILVER ZINC	03-005907-00	2
11	SCREW, M5X2.1, 32MM, BUTTON HEAD, PHILLIPS, NICKEL	01-005911-32	2
12	BOLT, M6X1.0, 18MM, FLAT HEAD, SOCKET, BLACK ZINC	01-002340-18	2
13	WASHER, M6, LOCK, SILVER ZINC	03-001672-00	6
14	BOLT, M5X0.8, 10MM, BUTTON HEAD, SOCKET, BLACK ZINC	01-001861-10	6
15	WASHER, M8XFLAT, 17MM ODX2MM THK	03-005906-00	4
16	WASHER, M8, LOCK, BLACK ZINC	03-002202-00	2
17	BOLT, M8X1.25, 60MM, HEX HEAD	01-000146-60	1
18	BOLT, M8X1.25, 80MM, HEX HEAD	01-000146-80	1
19	KNOB, LOCK, EXTENSION LEG, M6, TSG-FDC	55-005867-00	2
20	PLASTIC BAG	N/A	1

## Dust Tube Assembly



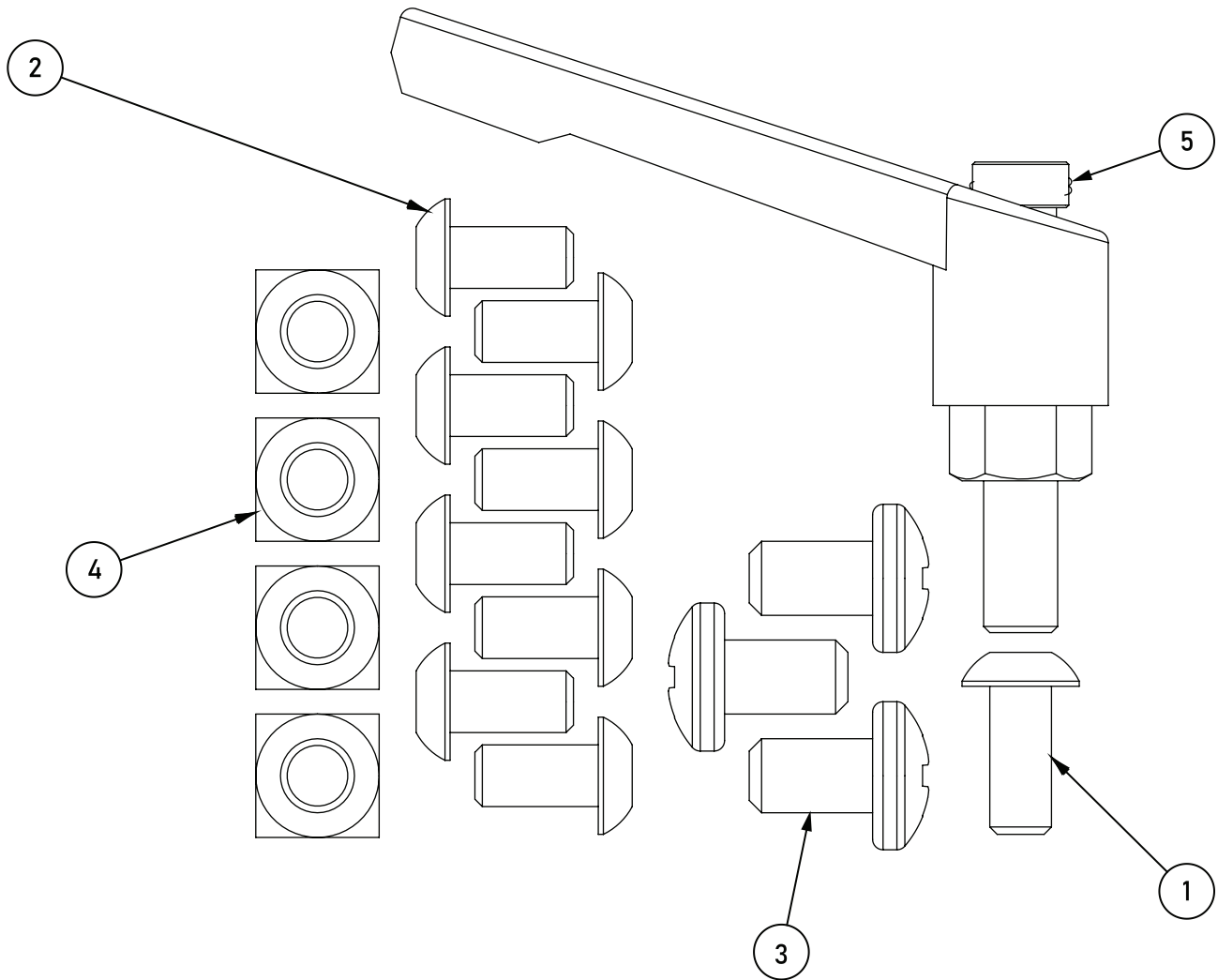
No.	Description	Part No.	Qty.
1	TUBE, OUTER DUST ASSEMBLY, CURVED, SPLIT, TSG-FDC	60-005734-00	1
2	TUBE, OUTER DUST, STRAIGHT, SPLIT, TSG-FDC	32-005733-00	1
3	LABEL, SAWSTOP, TSG-FDC	89-002298-00	2
4	BAR, GUIDE, DUST TUBE, SPLIT, TSG-FDC	36-005744-00	1
5	TUBE, SHORT, INNER DUST, TSG-FDC	60-003368-00	1
6	GUIDE SLEEVE, DUST TUBE, SPLIT, TSG-FDC	32-005743-00	1
7	SLEEVE, DUST TUBE, OUTER, TSG-FDC	50-002248-01	1
8	NUT, M6X1.0, SQUARE	02-001556-00	4
9	BOLT, M6X1.0, 10mm, PAN HEAD, PHILLIPS, BLACK ZINC	01-001867-10	3
10	KNOB, DUST TUBE, LOCK, M6, TSG-FDC	55-005866-00	1
11	BOLT, M5X0.8, 12MM, BUTTON HEAD, SOCKET, BLACK ZINC	01-005948-12	1
12	BOLT, M5X0.8, 10MM, BUTTON HEAD, SOCKET, BLACK ZINC	01-001861-10	8
13	CARTON	N/A	1
14	PLASTIC BAG	N/A	1

# Floating Guard Assembly



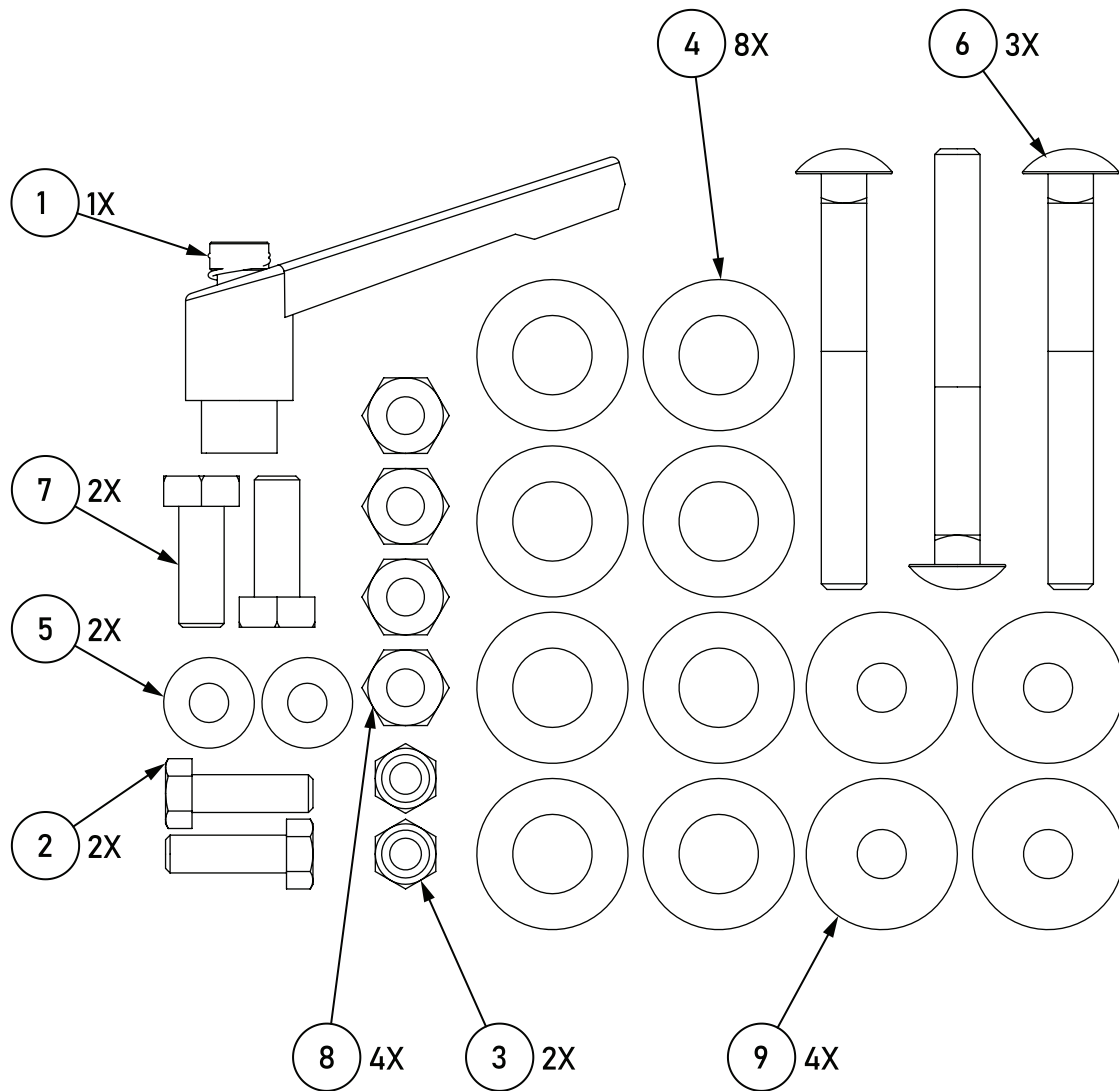
No.	Description	Part No.	Qty.
1	HOSE, DUST COLLECTION, 3", TSG-FDC	14-002236-00	1
2	CLAMP, HOSE, 3.5", PHILLIPS ADJUST	14-002237-00	2
3	FLOATING BLADE GUARD ASSEMBLY, TSG-FDC	95-005105-00	1
4	BOLT, M6X1.0, 40MM, BUTTON HEAD, SOCKET, BLACK ZINC	01-001914-40	1
5	NUT, M6X1.0, NYLON INSERT, SILVER ZINC	02-001909-00	1
6	CARTON	N/A	1
7	PROTECTIVE FOAM	N/A	A/R
8	PLASTIC BAG	N/A	1

# Dust Tube Hardware Kit



No.	Description	Part No.	Qty.
1	BOLT, M5X0.8, 12MM, BUTTON HEAD, SOCKET, BLACK ZINC	01-005948-12	1
2	BOLT, M5X0.8, 10MM, BUTTON HEAD, SOCKET, BLACK ZINC	01-001861-10	8
3	BOLT, M6X1.0, 10MM, PAN HEAD, PHILLIPS, BLACK ZINC	01-001867-10	3
4	NUT, M6X1.0, SQUARE	02-001556-00	4
5	KNOB, DUST TUBE, LOCK, M6, TSG-FDC	55-005866-00	1
6	PLASTIC BAG	N/A	1

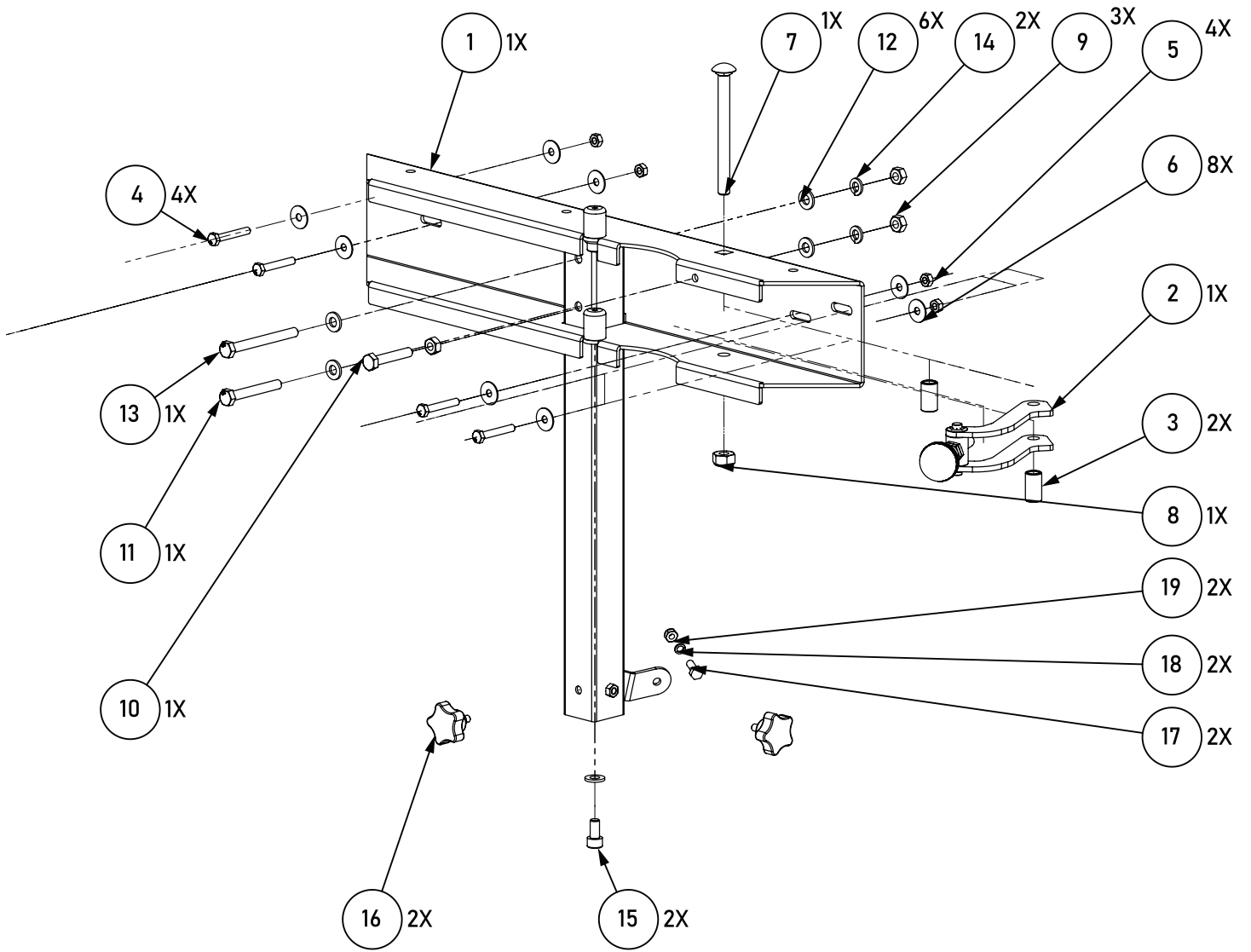
# Floating Guard Hardware Kit



No.	Description	Part No.	Qty.
1	HANDLE, LOCK, M6X1.0, FEMALE, TSG-FDC	55-005868-00	1
2	BOLT, M5X0.8, 16MM, HEX HEAD, SILVER ZINC	01-001852-16	2
3	NUT, M5X0.8, NYLON INSERT, SILVER ZINC	02-002243-00	2
4	WASHER, M10, 20MMODX2MMTHK, PLASTIC	03-005910-00	8
5	WASHER, M5, FLAT, 12MMODX0.8MMTHK, SILVER ZINC	03-005907-00	2
6	BOLT, M6X1.0, 55MM, CARRIAGE HEAD, 8.8 ALLOY, SILVER ZINC	01-005554-55	3
7	BOLT, M6X1.0, 16MM, HEX HEAD, SILVER ZINC	01-002148-16	2
8	NUT, M6X1.0, NYLON INSERT, SILVER ZINC	02-001909-00	4
9	WASHER, M6, FLAT, 20MMODX2.0THK, BLACK ZINC	03-006190-00	4
10	PLASTIC BAG	N/A	1



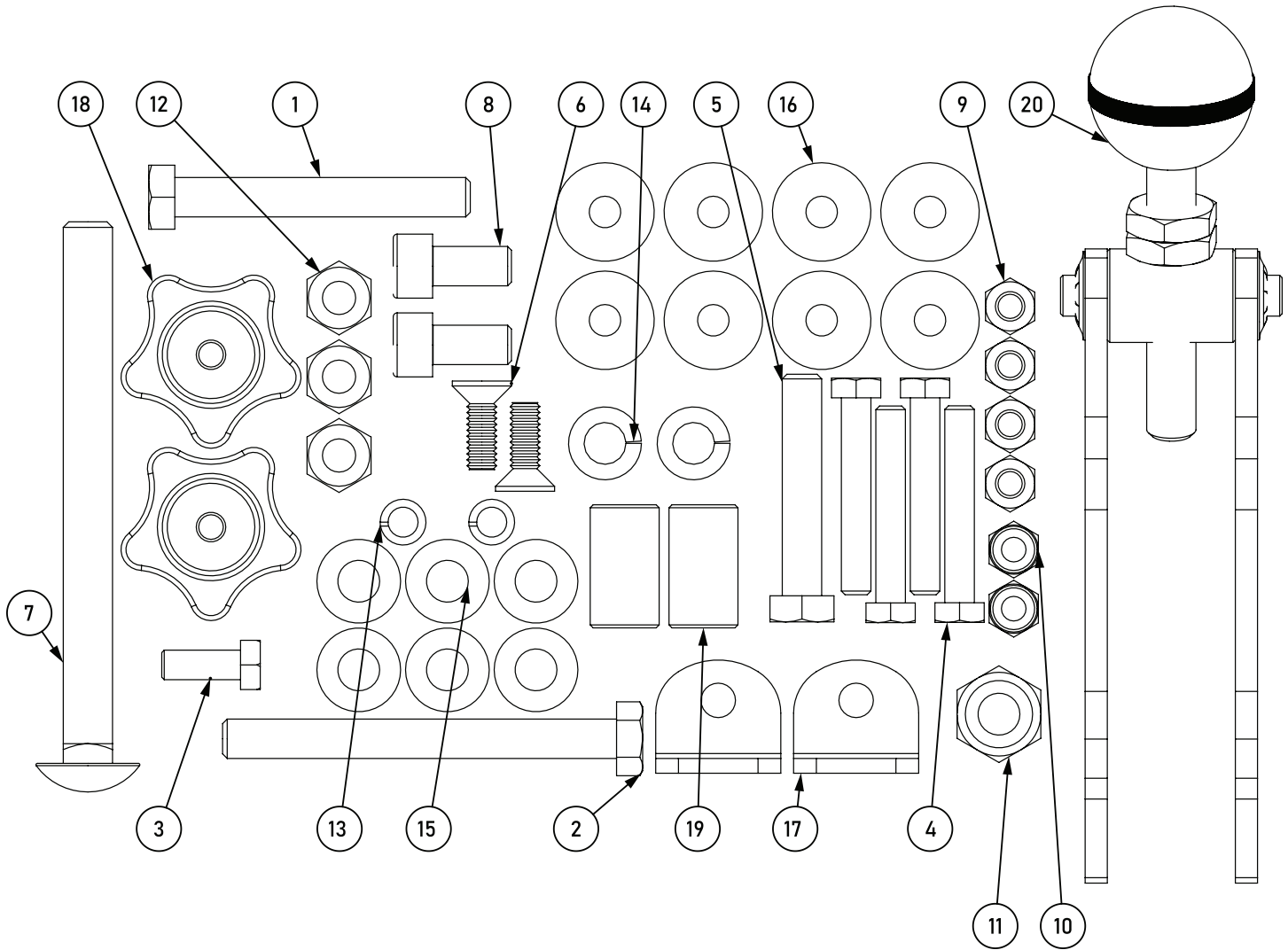
# Mounting Bracket Assembly



## Mounting Bracket Assembly

No.	Description	Part No.	Qty.
1	BRACKET, MOUNTING, DUST COLLECTION GUARD, TSG-FDC	60-005869-00	1
2	LOCK KNOB ASSEMBLY, DUST TUBE, TSG-FDC	95-005108-00	1
3	SPACER, DUST TUBE PIVOT, 10MMIDX15MMODX26MM, TSG-FDC	50-002277-00	2
4	BOLT, M6X1.0, 40MM, HEX HEAD, SILVER ZINC	01-002148-40	4
5	NUT, M6X1.0, SILVER ZINC	02-001693-00	4
6	WASHER, M6, FLAT, 20MM ODX1MM THK, SILVER ZINC	03-005908-00	8
7	BOLT, M10X1.5, 110MM, CARRIAGE HEAD, SILVER ZINC	01-005555-01	1
8	NUT, M10X1.5, NYLOCK, SILVER ZINC	02-002058-00	1
9	NUT, M8X1.25, BLACK ZINC	02-002637-00	3
10	BOLT, M8X1.25, 45MM, HEX HEAD, BLACK ZINC	01-002515-45	1
11	BOLT, M8X1.25, 60MM, HEX HEAD	01-000146-60	1
12	WASHER, M8XFLAT, 17MM ODX2MM THK	03-005906-00	6
13	BOLT, M8X1.25, 80MM, HEX HEAD	01-000146-80	1
14	WASHER, M8, LOCK, BLACK ZINC	03-002202-00	2
15	BOLT, M8X1.25, 16MM, SOCKET HEAD CAP, BLACK ZINC	01-005904-16	2
16	KNOB, LOCK, EXTENSION LEG, M6, TSG-FDC	55-005867-00	2
17	BOLT, M6X1.0, 16MM, HEX HEAD, SILVER ZINC	01-002148-16	2
18	WASHER, M6, LOCK, SILVER ZINC	03-001672-00	2
19	NUT, M6X1.0, NYLON INSERT, SILVER ZINC	02-001909-00	2
20	PLASTIC BAG	N/A	1

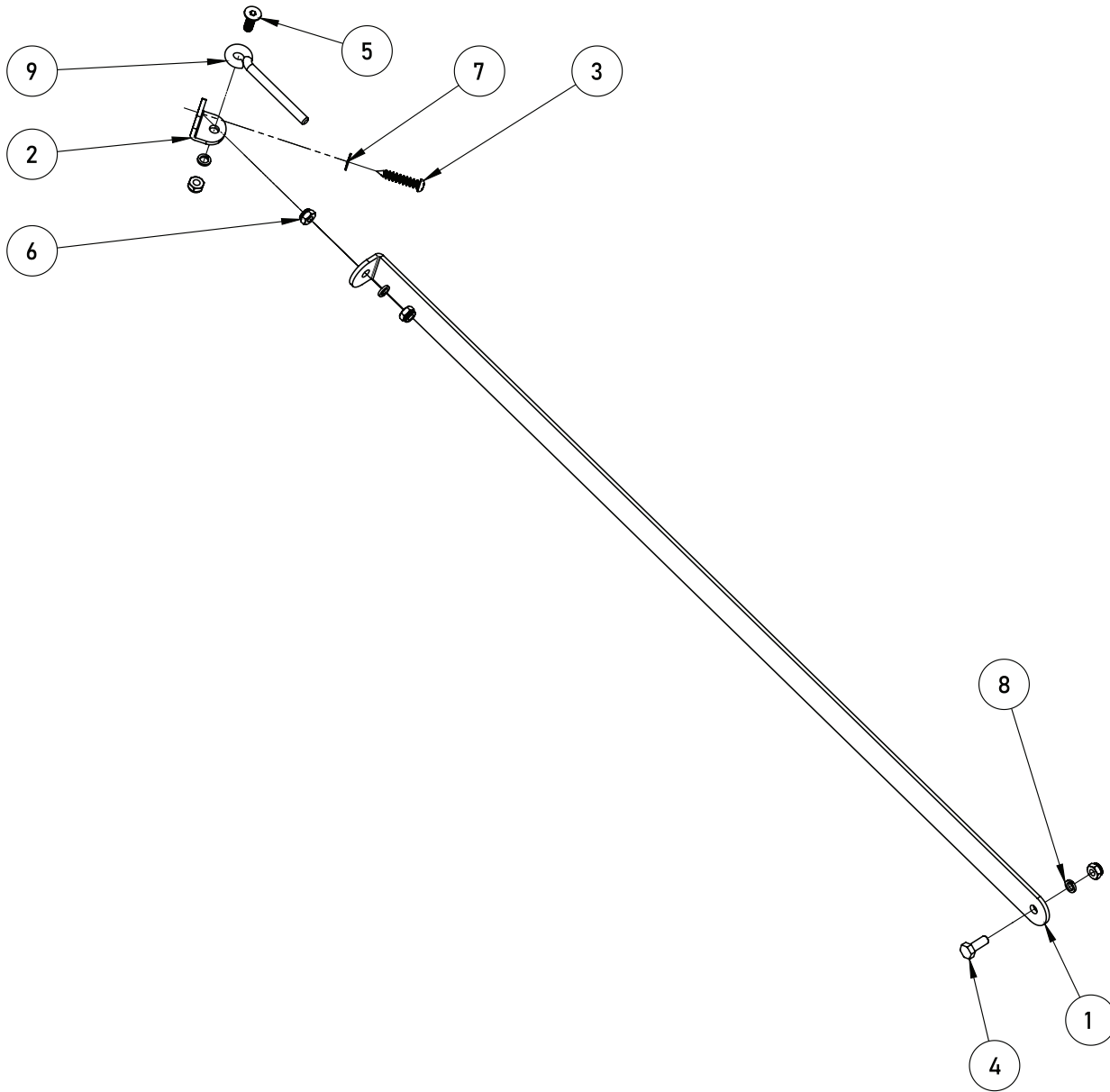
# Mounting Bracket Hardware Kit



## Mounting Bracket Hardware Kit

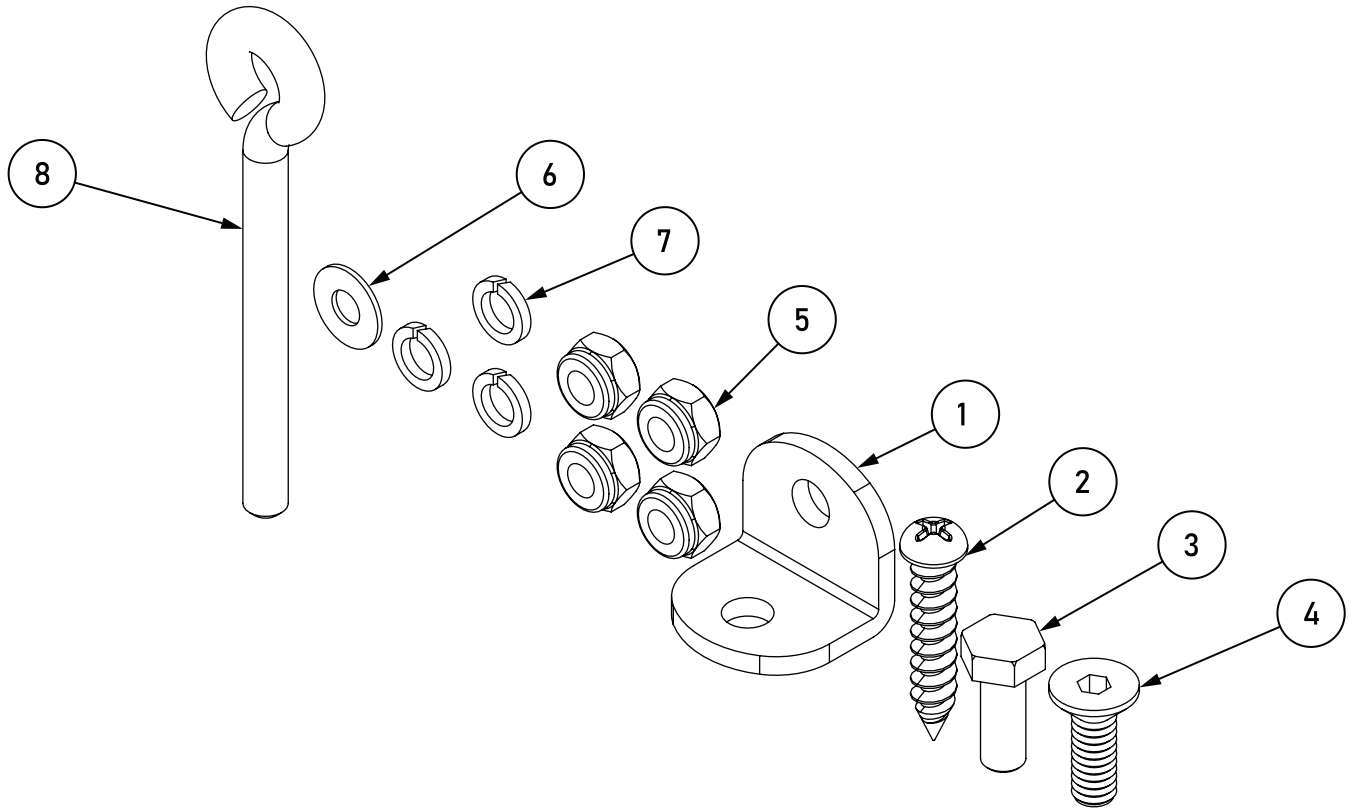
No.	Description	Part No.	Qty.
1	BOLT, M8X1.25, 60MM, HEX HEAD	01-000146-60	1
2	BOLT, M8X1.25, 80MM, HEX HEAD	01-000146-80	1
3	BOLT, M6X1.0, 16MM, HEX HEAD, SILVER ZINC	01-002148-16	1
4	BOLT, M6X1.0, 40MM, HEX HEAD, SILVER ZINC	01-002148-40	4
5	BOLT, M8X1.25, 45MM, HEX HEAD, BLACK ZINC	01-002515-45	1
6	BOLT, M6X1.0, 18MM, FLAT HEAD, SOCKET, BLACK ZINC	01-002340-18	2
7	BOLT, M10X1.5, 110MM, CARRIAGE HEAD, SILVER ZINC	01-005555-01	1
8	BOLT, M8X1.25, 16MM, SOCKET HEAD CAP, BLACK ZINC	01-005904-16	2
9	NUT, M6X1.0, SILVER ZINC	02-001693-00	4
10	NUT, M6X1.0, NYLON INSERT, SILVER ZINC	02-001909-00	2
11	NUT, M10X1.5, NYLOCK, SILVER ZINC	02-002058-00	1
12	NUT, M8X1.25, BLACK ZINC	02-002637-00	3
13	WASHER, M6, LOCK, SILVER ZINC	03-001672-00	2
14	WASHER, M8, LOCK, BLACK ZINC	03-002202-00	2
15	WASHER, M8XFLAT, 17MM ODX2MM THK	03-005906-00	6
16	WASHER, M6, FLAT, 20MM ODX1MM THK, SILVER ZINC	03-005908-00	8
17	BRACKET, MOUNTING, LEG SUPPORT, TSG-FDC	32-002262-00	2
18	KNOB, LOCK, EXTENSION LEG, M6, TSG-FDC	55-005867-00	2
19	SPACER, DUST TUBE PIVOT, 10MMIDX15MMODX26MM, TSG-FDC	50-002277-00	2
20	LOCK KNOB ASSEMBLY, DUST TUBE, TSG-FDC	95-005108-00	1
21	PLASTIC BAG	N/A	1

## Support Leg Assembly



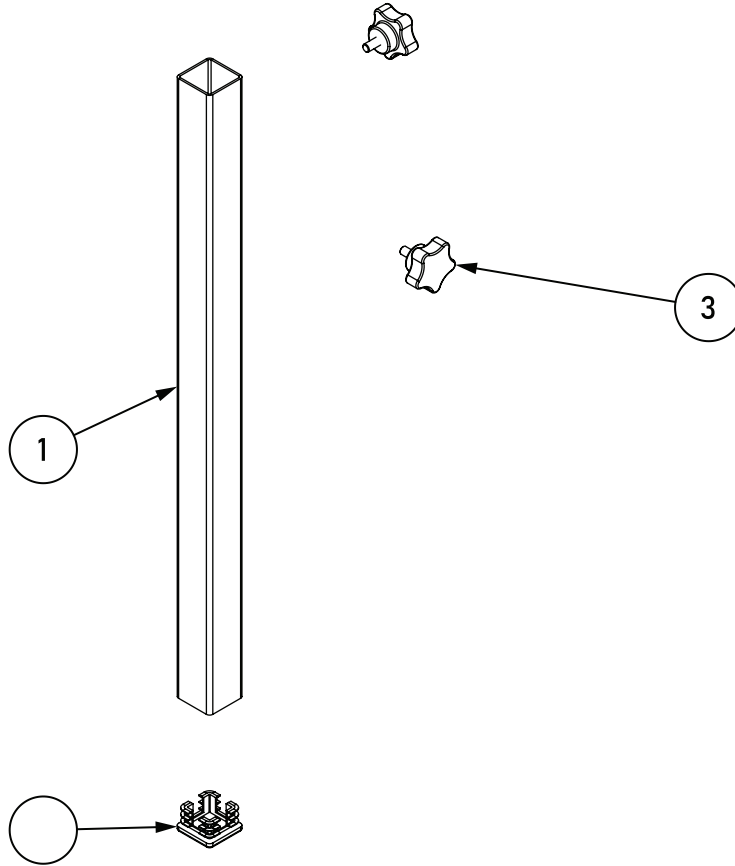
No.	Description	Part No.	Qty.
1	BRACKET, LEG SUPPORT, TSG-FDC	32-002267-00	1
2	BRACKET, MOUNTING, LEG SUPPORT, TSG-FDC	32-002262-00	1
3	SCREW, M5X2.1, 32MM, BUTTON HEAD, PHILLIPS, NICKEL	01-005911-32	1
4	BOLT, M6X1.0, 16MM, HEX HEAD, SILVER ZINC	01-002148-16	1
5	BOLT, M6X1.0, 18MM, FLAT HEAD, SOCKET, BLACK ZINC	01-002340-18	1
6	NUT, M6X1.0, NYLON INSERT, SILVER ZINC	02-001909-00	4
7	WASHER, M5, FLAT, 12MMODX0.8MMTHK, SILVER ZINC	03-005907-00	1
8	WASHER, M6, LOCK, SILVER ZINC	03-001672-00	3
9	EYE BOLT, 10.5MMID, M6X1.0, 80MM, SILVER ZINC	04-005834-01	1
10	PLASTIC BAG	N/A	1

## Support Leg Hardware Kit



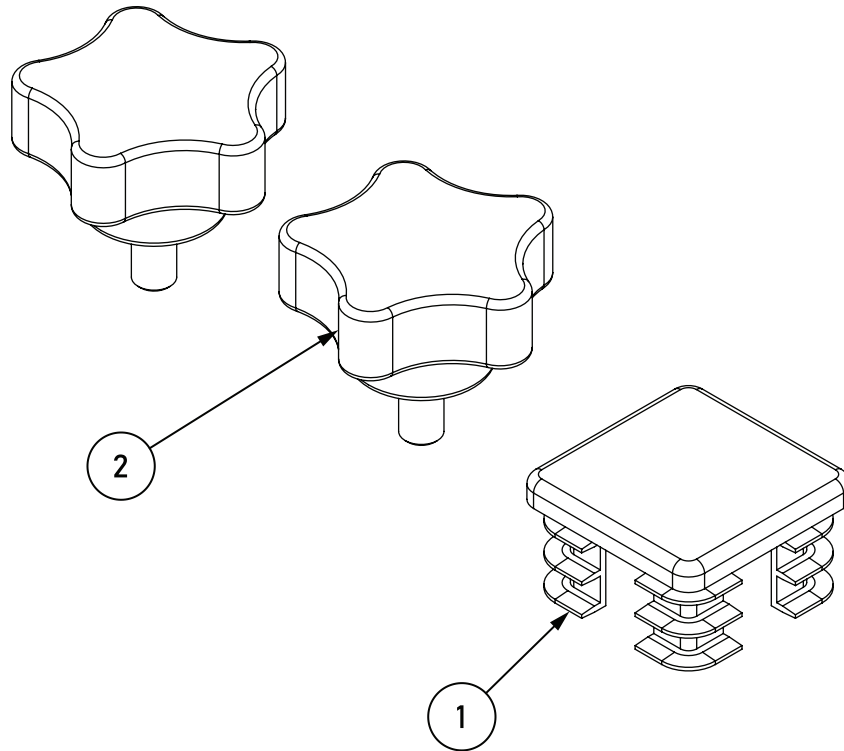
No.	Description	Part No.	Qty.
1	BRACKET, MOUNTING, LEG SUPPORT, TSG-FDC	32-002262-00	1
2	SCREW, M5X2.1, 32MM, BUTTON HEAD, PHILLIPS, NICKEL	01-005911-32	1
3	BOLT, M6X1.0, 16MM, HEX HEAD, SILVER ZINC	01-002148-16	1
4	BOLT, M6X1.0, 18MM, FLAT HEAD, SOCKET, BLACK ZINC	01-002340-18	1
5	NUT, M6X1.0, NYLON INSERT, SILVER ZINC	02-001909-00	4
6	WASHER, M5, FLAT, 12MMODX0.8MMTHK, SILVER ZINC	03-005907-00	1
7	WASHER, M6, LOCK, SILVER ZINC	03-001672-00	3
8	EYE BOLT, 10.5MMID,M6X1.0, 80MM, SILVER ZINC	04-005834-01	1
9	PLASTIC BAG	N/A	1

# Extension Leg Assembly



No.	Description	Part No.	Qty.
1	LEG, EXTENSION, TSG-FDC	32-003319-00	1
2	END CAP, LEG, TSG-FDC	50-002269-00	1
3	KNOB, LOCK, EXTENSION LEG, M6, TSG-FDC	55-005867-00	2
4	PLASTIC BAG	N/A	1

## Extension Leg Hardware Kit



No.	Description	Part No.	Qty.
1	END CAP,LEG,TSG-FDC	50-002269-00	1
2	KNOB,LOCK,EXTENSION LEG,M6,TSG-FDC	55-005867-00	2
3	PLASTIC BAG	N/A	1





**SawStop, LLC**  
11555 SW Myslony Street  
Tualatin, Oregon 97062 USA  
[SawStop.com](http://SawStop.com)

Main Phone - (503) 570-3200  
Service - (503) 582-9934  
Fax - (503) 570-3303  
Email: [info@SawStop.com](mailto:info@SawStop.com)