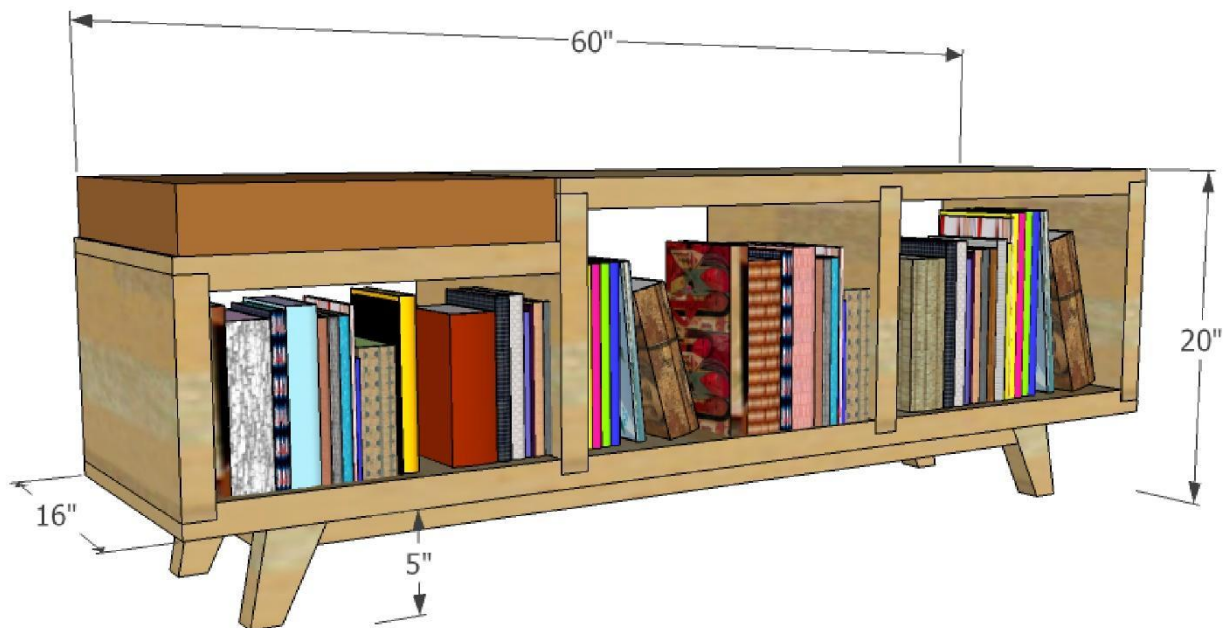


Modern Bookshelf Bench | Building Plans

MODERN

Bookshelf Bench

building plans



Modern Bookshelf Bench | Building Plans

Material & Tool List

Qty.	Material
	Poplar Lumber - Optional Plywood
19	1/2"x2" Hard Wood Dowels
6	figure-eight fasteners
8	#8 - 1- 1/4" wood screws
	1-1/4" brad nails
	Wood glue
	17" x 15" x 2-3/4" upholstered foam seat cushion

Required Tools	Optional Tools
SawStop 10" Jobsite Pro Table saw	Circular Saw or Track Saw
Cordless Drill	Brad Nailer
Bar Clamps	Doweling Jig
Measuring Tape	Glue Spreader
Speed Square	Crosscut Sled
Drill Bits 1/8" & 1/2"	

This bench was built completely on a SawStop Jobsite Pro. It offers much needed storage while looking stylish and flexible enough to work within any room in your house. Follow the step-by-step instructions below on how to customize the bench to your exact needs.

Caution

Furniture building comes with inherent risk. Use caution when handling and operating tools. Before starting the project, make sure you are familiar with safe operating procedures. Follow manufacturer's recommendations for all products and equipment used.

1. Top and Bottom Panels

A. Preparation

To join stock, plane, square, and glue-up edges to create 16" wide panels. I used 1-½" thick poplar hardwood boards because it is easy to work with — and I had plenty on hand.

Alternative: Consider plywood panels if you want to save time preparing the material or prefer a more rustic aesthetic. Note, you will still need to glue up the panels to create 1-½" substrate. To do this, simply rip ¾" plywood sheets into 16" wide strips. Laminate pairs of strips together to create 1-1/2" thick panels. From your prepared material cut one 41-1/2" length panel and one 60" length panel.

B. Create Rabbet Joinery

Rabbet joints require a modest level of skill and effort and are an efficient way to add strength and style to the piece. Before marking up the panels, take a moment to consider if there is character in the wood that you want to feature (or flaws to conceal). Of course, the most visible side of the top panel will be opposite the side of the rabbets, while the most visible side of the bottom panel will be the side *with* the rabbets.

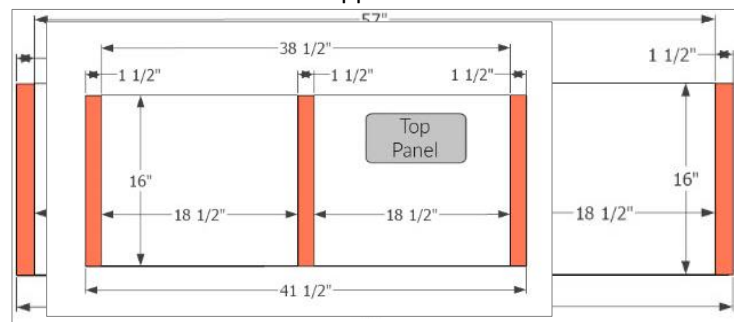
Top Panel (41.5" x 16")

Using your preferred method (I used the table saw) cut 16" x 1-1/2" x 3/4" rabbets flush to both ends. Then measure 18-1/2" from the inside cheek of both rabbets. Create a 16"x1-1/2"x3/4" dado, centered on the panel.

Bottom Panel (60" x 16")

Using your preferred method cut 16" x 1-1/2" x 3/4" rabbets flush to both ends. Create two additional 16" x 1-1/2" x 3/4" dados at 18-1/2" from the inside cheek of an end rabbet and 17"

from the inside cheek of the opposite rabbet



(FYI: the seat will be located on the 17" side).

2. Vertical Dividers & Horizontal Seat Support

A. Prepare Dividers

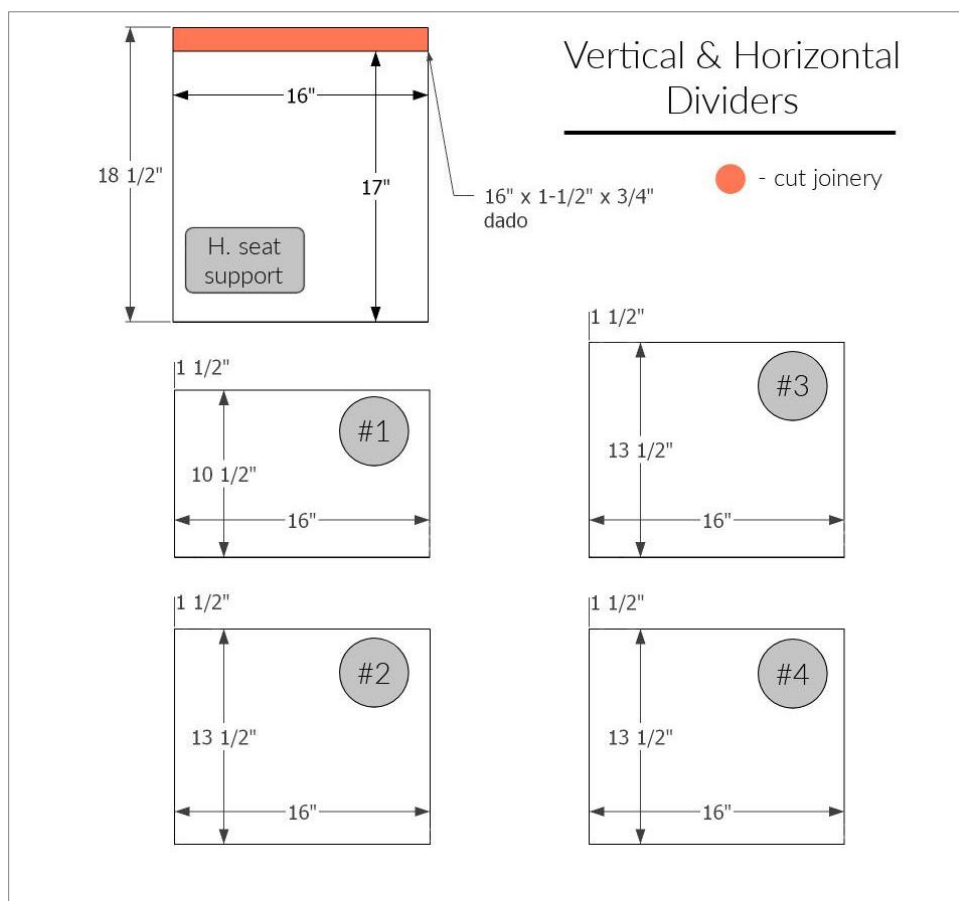
Modern Bookshelf Bench | Building Plans

The dimensions of the vertical dividers will also be 1-½" thick and 16" deep. Like the top and bottom panels, use 1-½" thick hardwood boards, joint edges, plane, and join together to create 16" wide panels.

Alternative: If you've elected to use plywood panels, rip ¾" plywood sheets into 16" wide strips. Laminate pairs of strips together to create 1-1/2" thick panels.

B. Cut to Length

From your prepared material cut (3) 13-1/2" length Vertical Dividers, (1) 10-1/2" length Vertical Divider, and (1) 18-1/2" length Horizontal Seat Support.



C. Create Rabbet Joinery for Seat Support

The 16" x 18-1/2" panel is the Horizontal Seat Support. Using your preferred method cut a 16"x1-1/2"x3/4" rabbet flush to one end.

3. Base Legs

Modern Bookshelf Bench | Building Plans

A. Prep

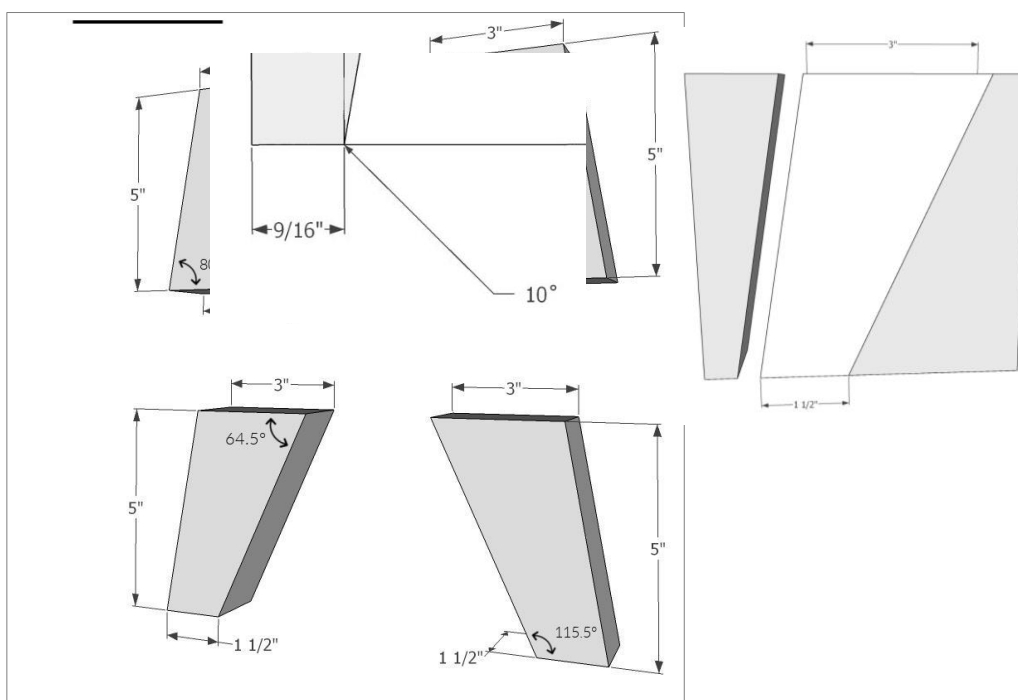
Using prepared material, cut (4) 5" x 5" x 1-1/2" blocks.

B. Outside Leg Angle

Make a reference mark 9/16" in from the lower left corner. From this mark, use a table saw with miter gauge or cross-cut sled to cut 10° off square from the bottom corner to the top edge as shown.

C. Inside Leg Angle

Measure 3" along the top and 1-1/2" along the bottom edges. Use a straight edge and pencil to connect these points. Use a table saw with miter gauge or cross-cut sled to cut along this line.



RESULT

4. Base Stretchers

A. Prepare Long-Side Stretchers (44" x 1-1/2" x 1-1/2")

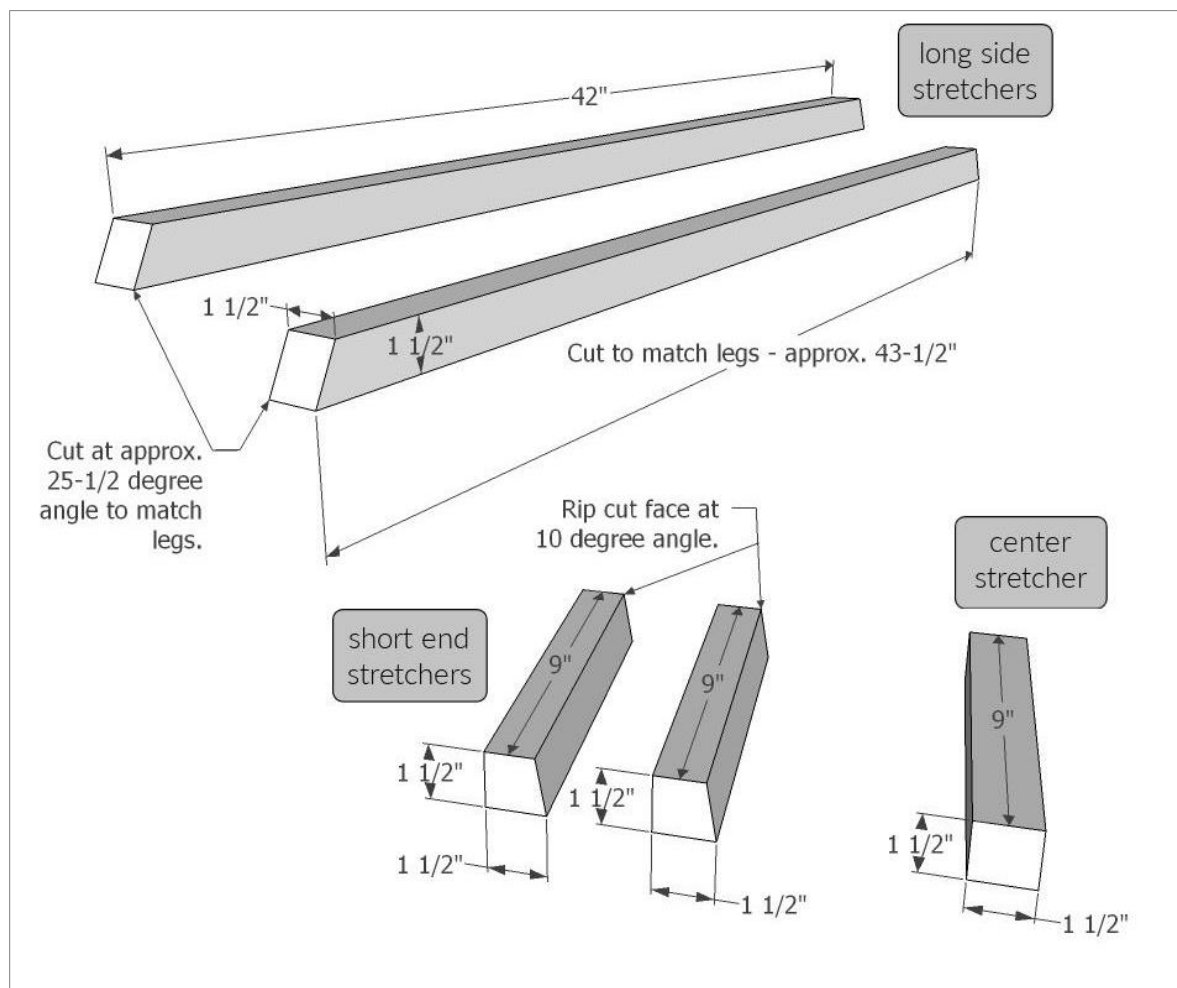
Cut (2) 1-1/2" x 1-1/2" boards greater than 44" long out of prepared material.

B. Scribe Base Leg Angle to Long-Side Stretchers

Match the top edges of base legs to the ends of the Long Side Stretchers. Spaced 42" apart, use a pencil to scribe the intersecting angle on to the stretchers and cut.

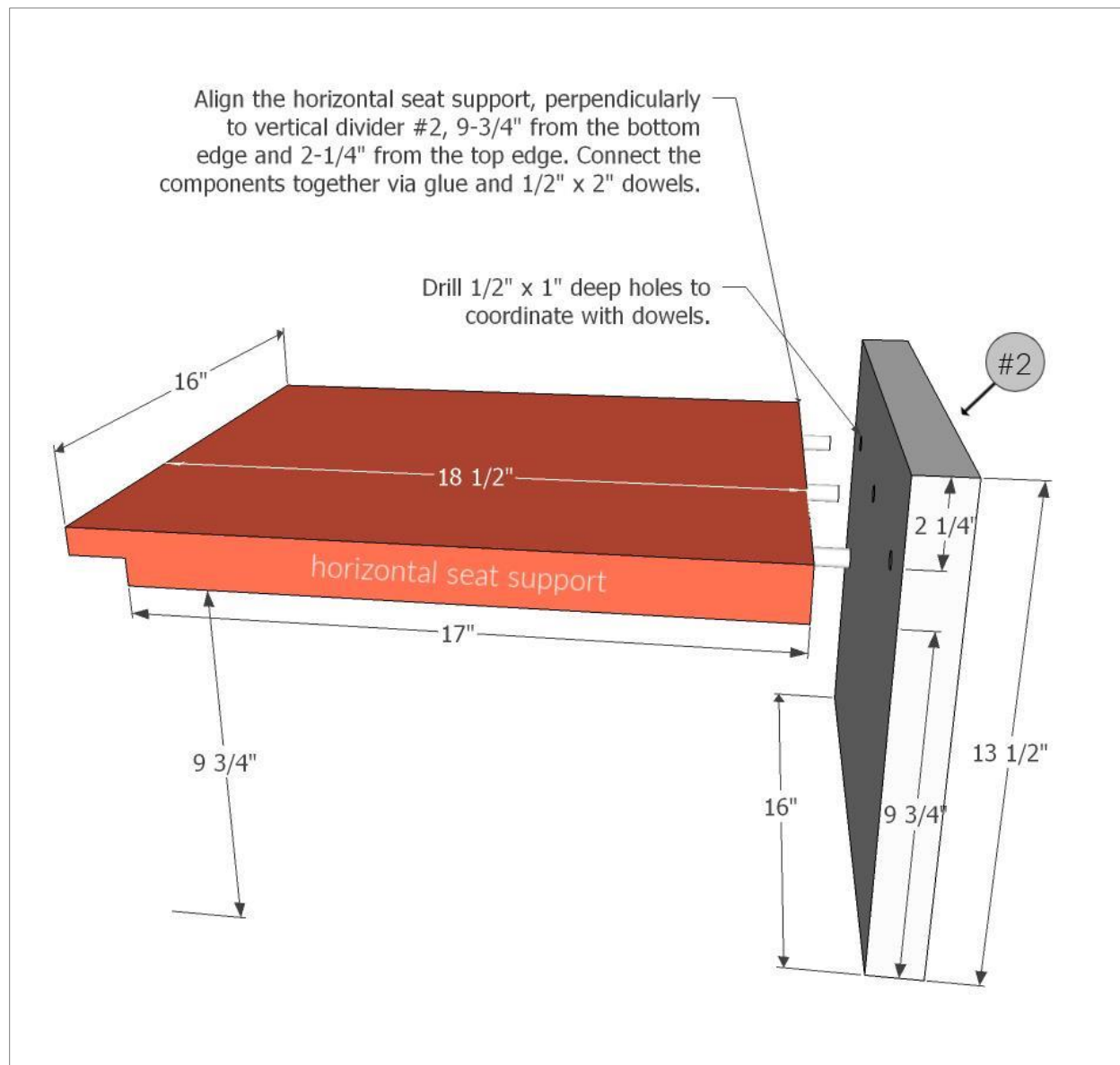
C. Cut Short-Side Stretchers (9" x 1-1/2" x 1-1/2")

Create Short Side Base Stretchers by cutting (3) 9"x1-1/2"x1-1/2" boards out of prepared material. Set one stretcher aside for center support. Using a table saw, rip cut the two remaining stretchers 10° off square on a long side to match Base Leg angle.



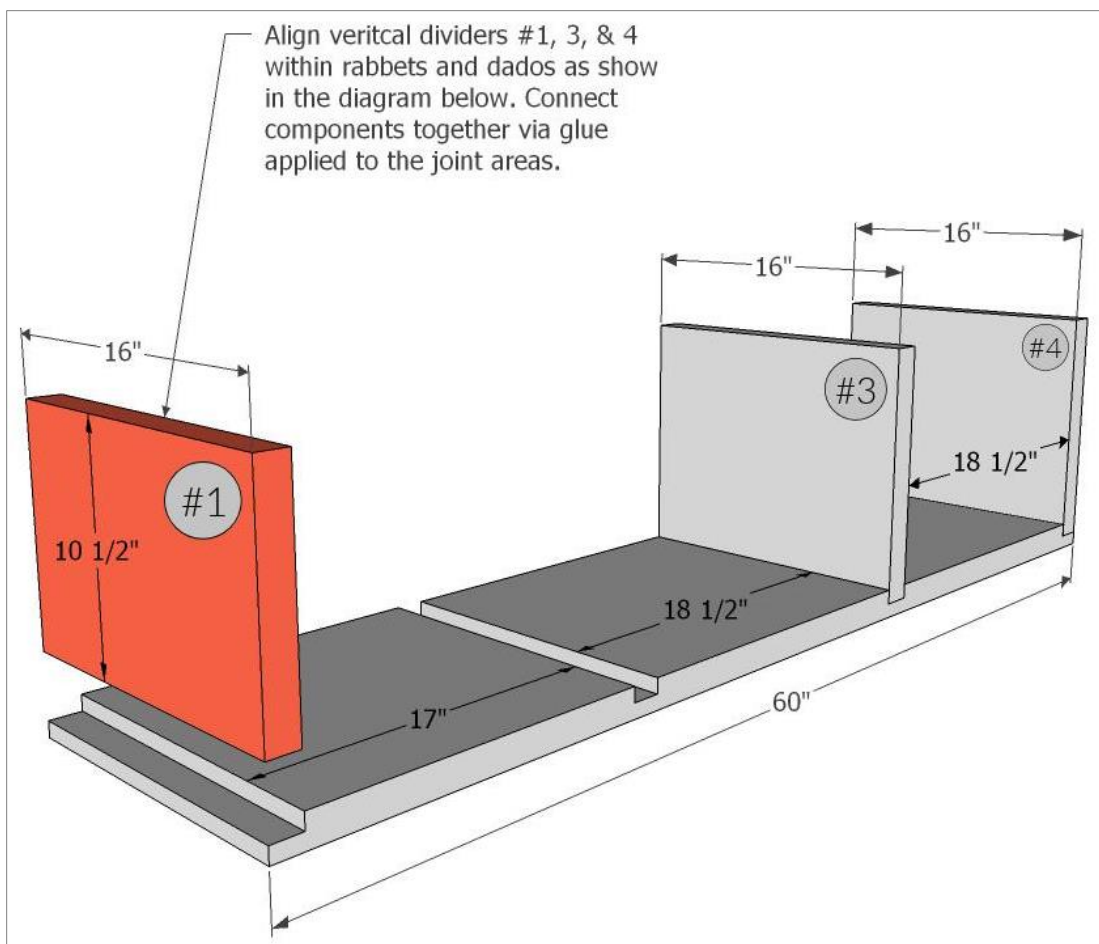
5. Seat Assembly

Align the horizontal seat support, perpendicularly to vertical divider #2, 9-3/4" from the bottom edge and 2-1/4" from the top edge. On the intersecting edge of the seat support and face of the divider, mark the location for 3, 1/2" dowels. Drill coordinating 1/2" x 1" holes in marked dowel locations. Connect components together via wood glue and 1/2" x 2" dowels. Apply clamps to hold components together and set seat assembly aside to allow glue to cure.



6. Vertical Dividers

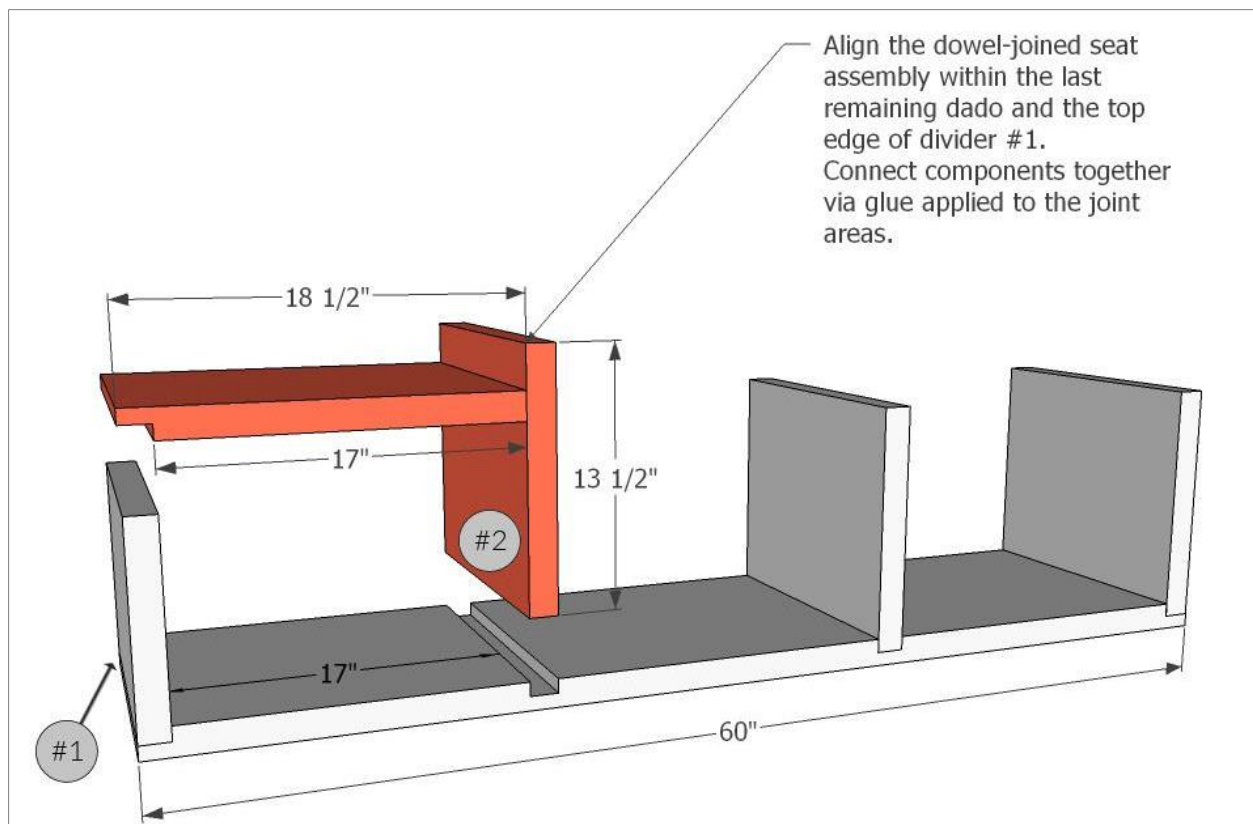
Align vertical dividers #1, 3, & 4 within rabbets and dados as show in the diagram below. Connect components together via glue applied to the joint areas. Apply clamps to hold components together while glue cures.



Modern Bookshelf Bench | Building Plans

7. Attaching Seat

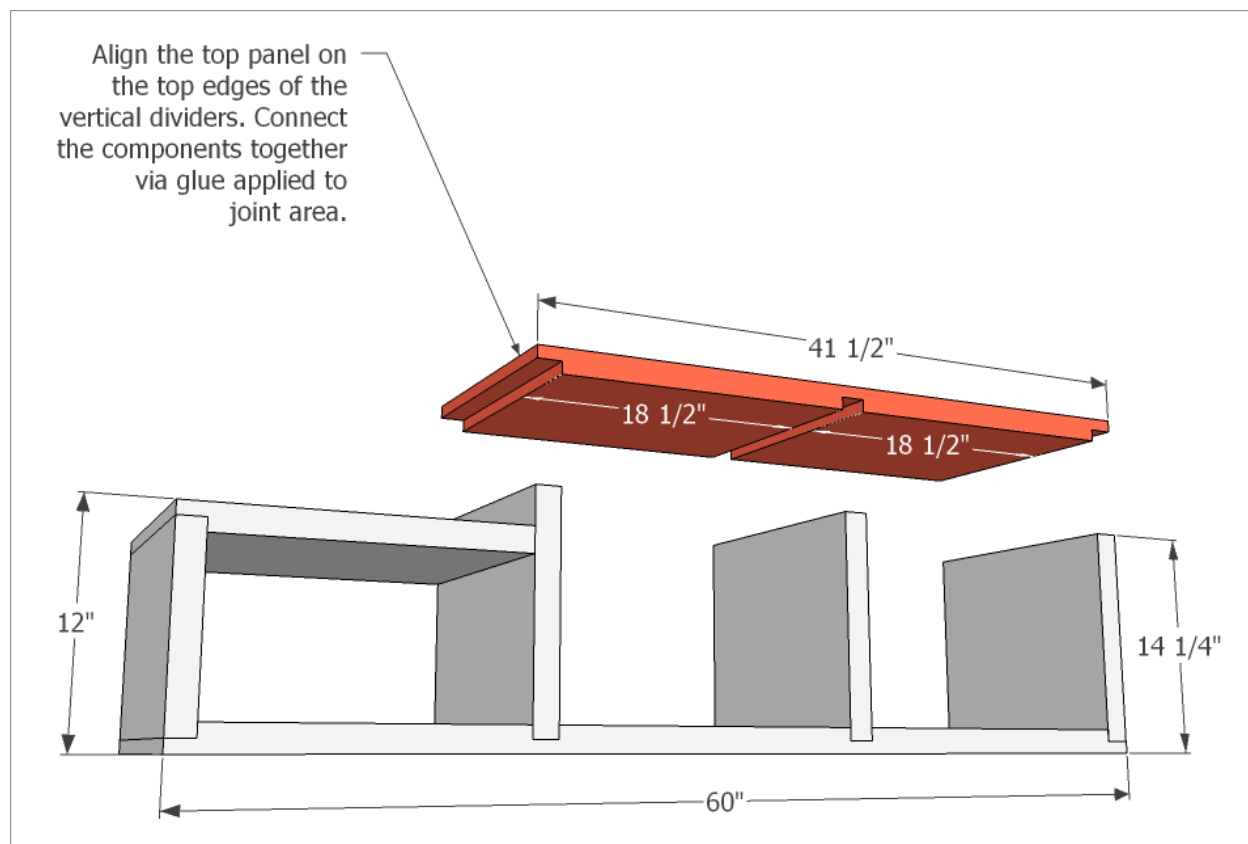
Once fully cured, align the dowel-joined seat assembly within the last remaining dado and flush to the top edge of divider #1. Connect components together via glue applied to the joint areas. Apply clamps to hold components together while glue cures.



Modern Bookshelf Bench | Building Plans

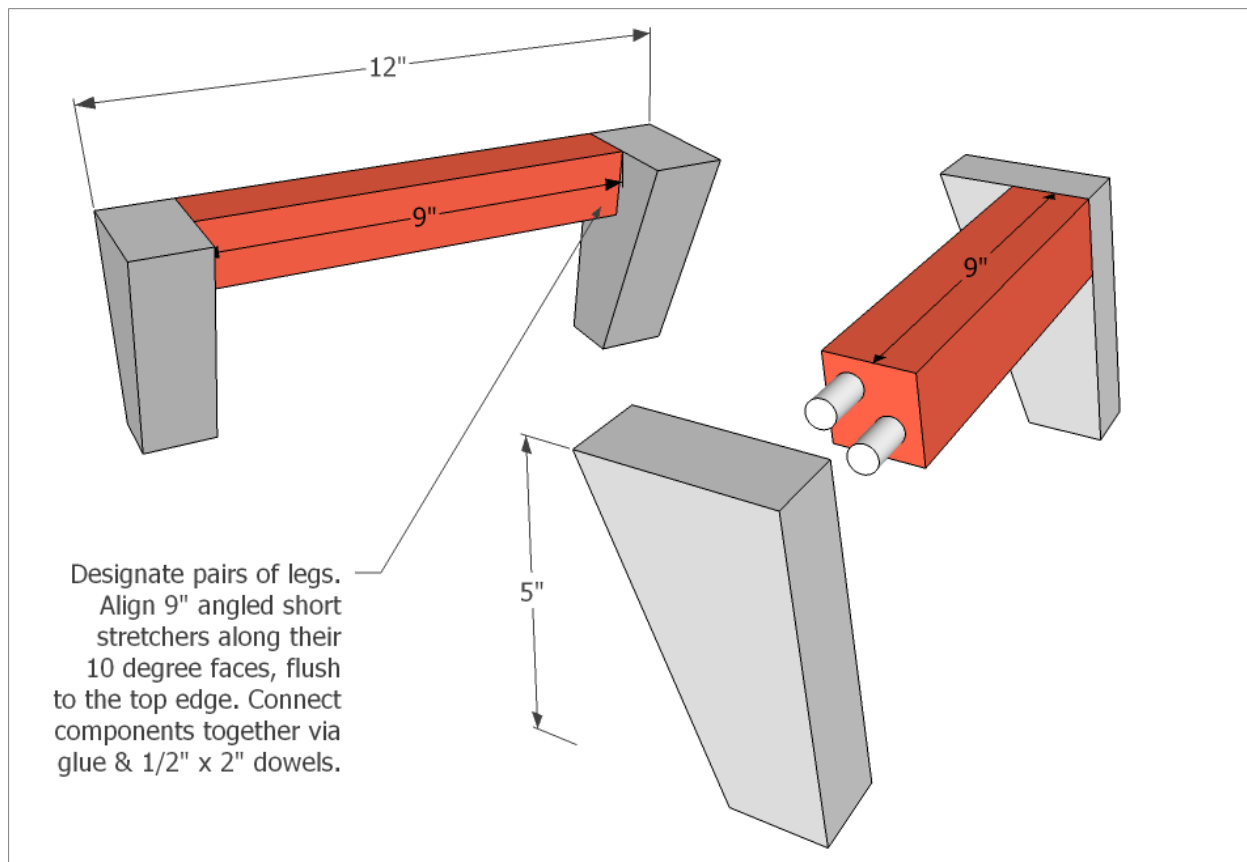
8. Top Panel

Align the top panel onto the top edges of vertical dividers. Connect the components together via glue applied to joint area. Apply clamps to hold components together while glue cures.



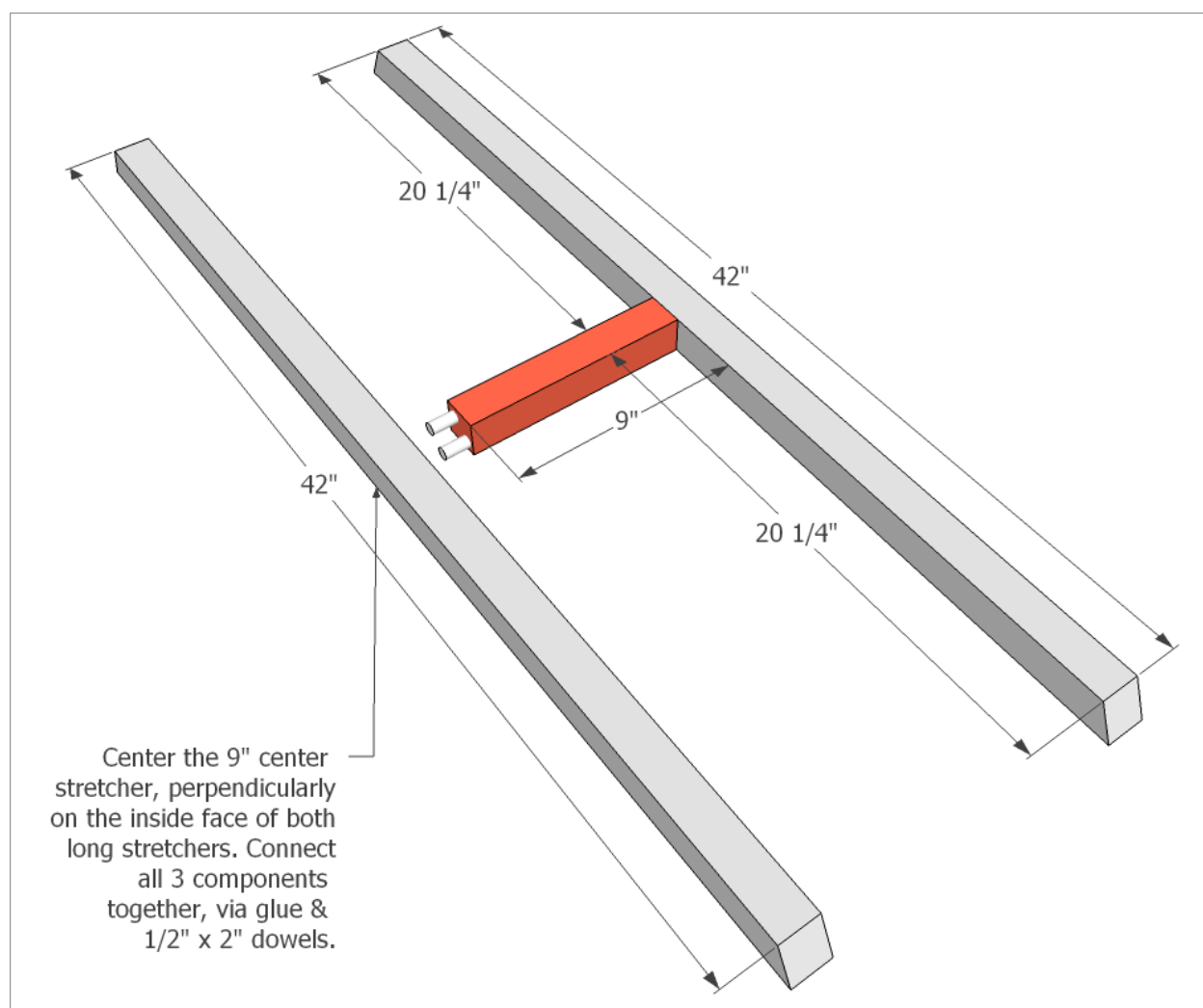
9. End Leg Assemblies

Designate pairs of legs to be connected together. Between each pair of legs, align a 9" angled short stretcher along their 10° faces, flush to the top edge. Connect components together via glue & 1/2" x 2" dowels. Apply clamps and allow the glue to fully cure.



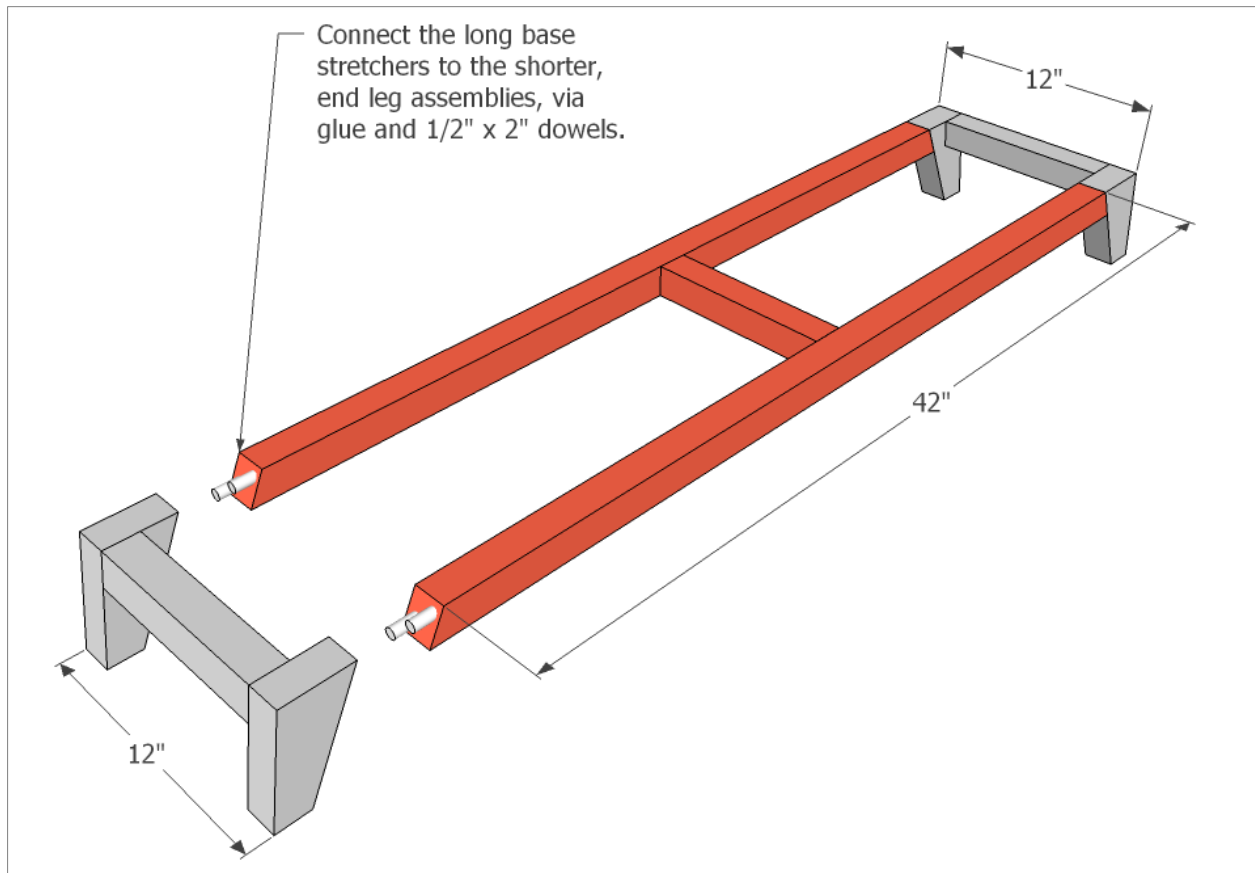
10. Center Stretcher

Center the 9" center stretcher, perpendicularly on the inside face of both long stretchers. Connect all 3 components together, via glue & 1/2" x 2" dowels. Apply clamps and allow glue to fully cure.



11. Connect Leg Assemblies to Stretchers

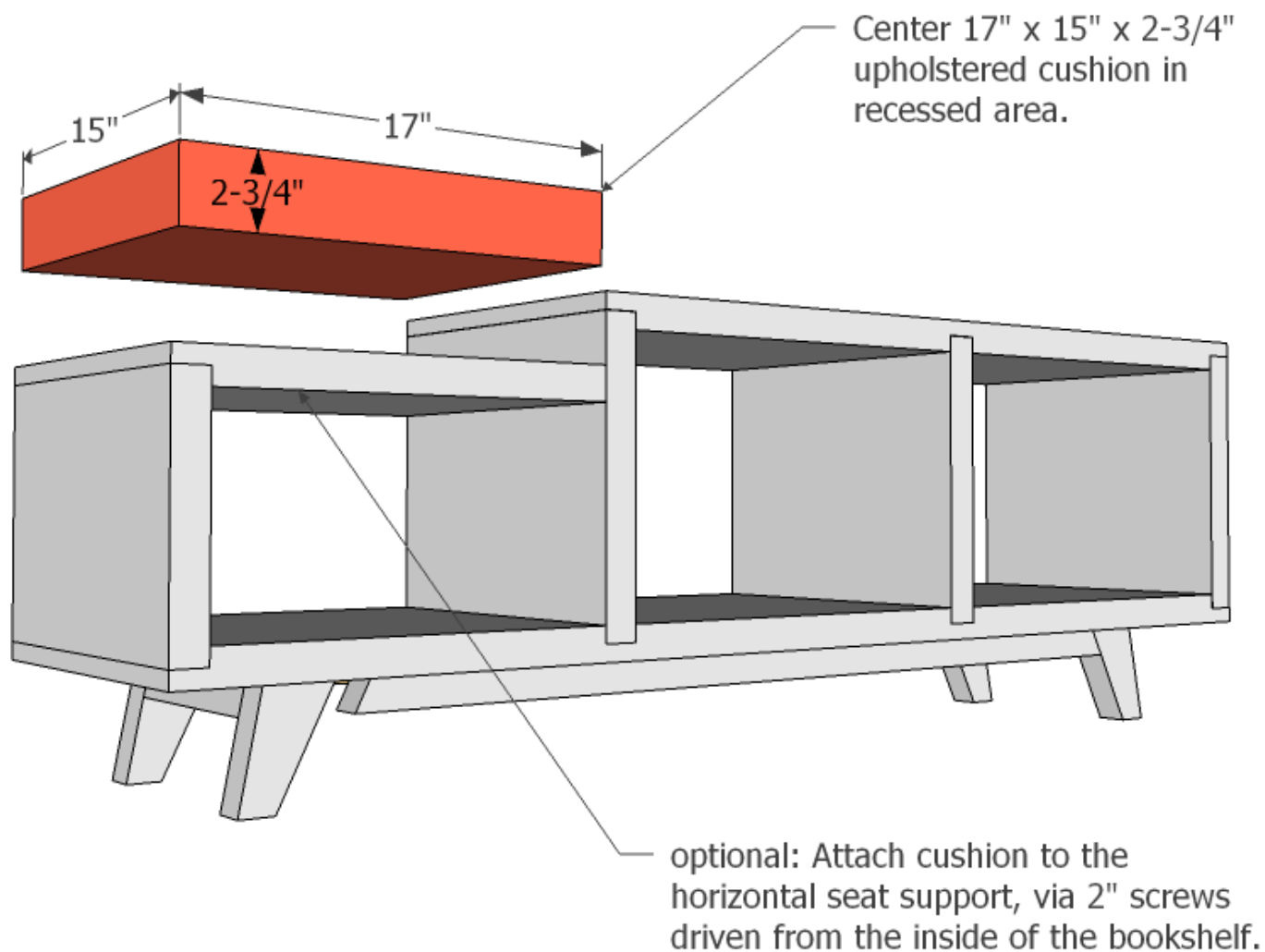
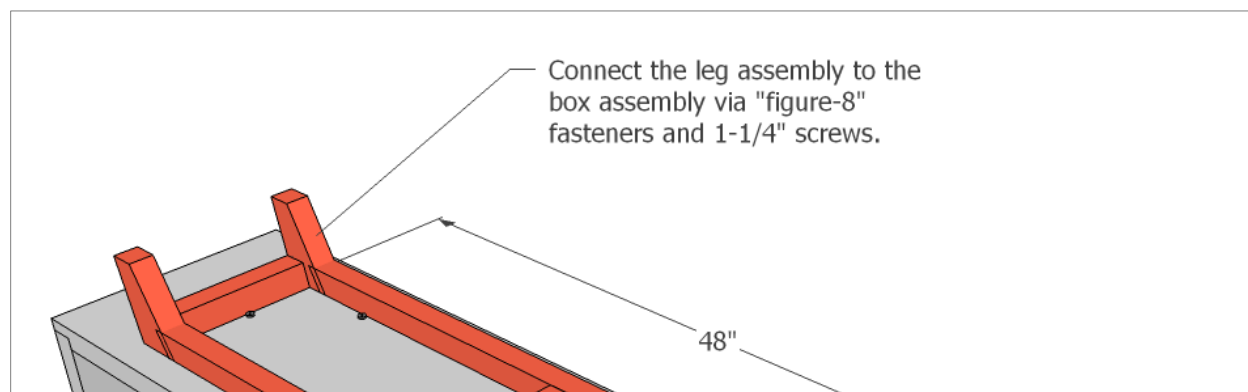
Connect the long base stretchers to the shorter end leg assemblies, via glue and 1/2" x 2" dowels. Apply clamps and allow glue to fully cure.



Modern Bookshelf Bench | Building Plans

12. Connect Base to Box

Carefully, flip the box assembly top-side down onto a soft worksurface. Invert the base assembly onto the bottom face of the bottom panel, spaced 2" from the long sides of the box and 6" from either end. Connect the base assembly to the box assembly via "figure-8" fasteners and 1-1/4" screws.



Modern Bookshelf Bench | Building Plans

13. Add Cushion

Center a 17" x 15" x 2-3/4" upholstered cushion in recessed seat area.

Optional: Attach cushion to the horizontal seat support, via 2" pre-drilled screws driven from the inside of the bookshelf.

Thank you for building with us.

Be sure to share your finished project (or whatever you make) with us on social media, @pneumaticaddict & @SawStop.