

SawStop

JOBSITE SAW

PARTS LISTS

MODEL JSS-MCA

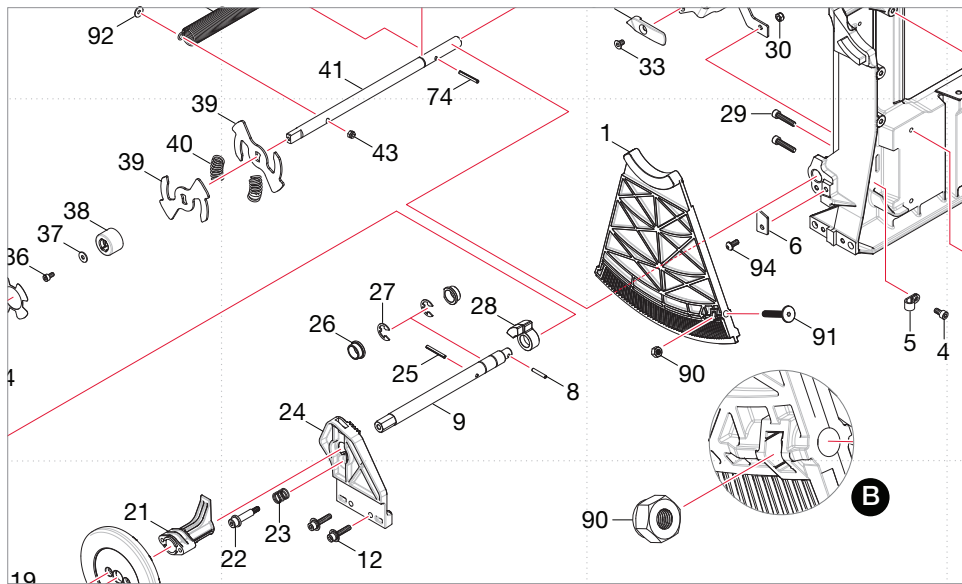


TABLE AND FENCE

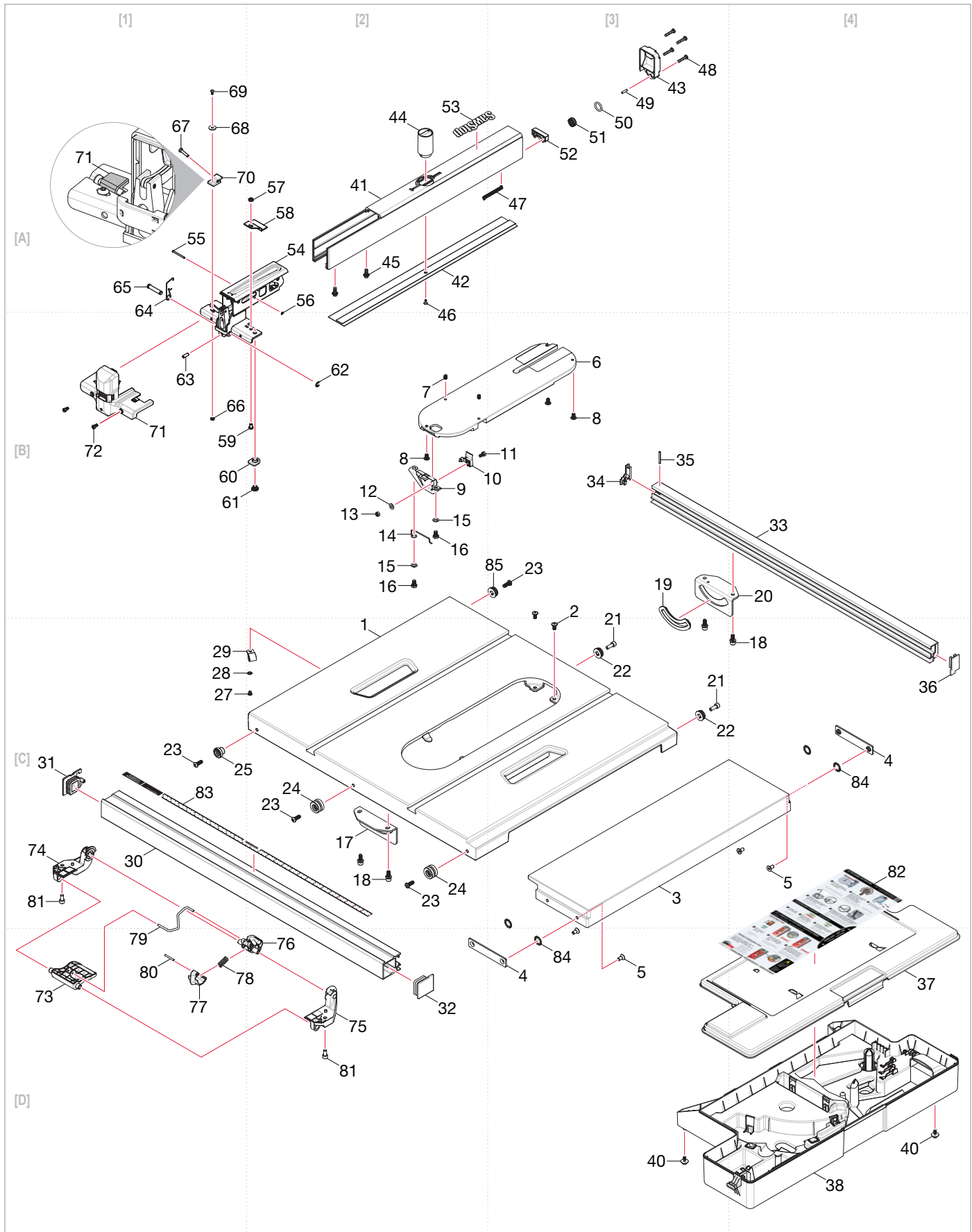


TABLE AND FENCE

No.	Description	Part No.	Qty.
1	Table [C2]	JSS-001	1
2	Rear Lock Down Screw for Insert [C3]	JSS-002	2
3	Extension Wing [C3]	JSS-003	1
4	Rail Clamp Plate [C4] [D3]	JSS-004	2
5	M6x1.0x16 Flat Head Socket Screw [C4] [D3]	JSS-005	4
6	Table Insert (includes items 7 & 8) [B3]	TSI-SJB	1
7	M6x1.0x8 Flat Tip Set Screw [B2] [B2]	JSS-007	2
8	M6x1.0x9.5 Insert Leveling Screw [B2] [B3]	JSS-008	3
9	Insert Latch [B2]	JSS-009	1
10	Insert Release Lever [B2]	JSS-010	1
11	M5x0.8x10 Hex Head Bolt [B2]	JSS-011	1
12	M5x12x1 Washer [B2]	JSS-012	1
13	M5x0.8 Lock Nut [B2]	JSS-013	1
14	Insert Ejection Spring [B2]	JSS-014	1
15	M6x12x1 Washer [B2]	JSS-015	2
16	M6x1.0x10 Hex Head Bolt [B2]	JSS-016	2
17	Front Trunnion Bracket [C2]	JSS-017	1
18	M6x1.0x16 Socket Head Cap Combination Screw [C2] [C3]	JSS-018	4
19	Trunnion Guide Bushing [B3]	JSS-019	1
20	Rear Trunnion Bracket [B3]	JSS-020	1
21	M6x1.0x16 Socket Head Cap Screw [C3]	JSS-021	2
22	Rear Rail Mount Pad [C3]	JSS-022	2
23	M6x1.0x16 Button Head Socket Screw [B3] [C1] [C2]	JSS-023	4
24	Front Rail Mount Pad [C2]	JSS-024	2
25	Left Front Rail Mount Pad [C1]	JSS-025	1
27	M5x0.8x10 Pan Head Phillips Screw [C2]	JSS-027	1
28	M5 External Tooth Lock Washer [C2]	JSS-028	1
29	Table Cable Clamp [C2]	JSS-029	1
	5/16" Cable Clamp (JSS-AU) [C2]	JSS-316	
30	Front Rail [C1]	JSS-030	1
31	Left Front Rail End Cap [C1]	JSS-031	1
32	Right Front Rail End Cap [D2]	JSS-032	1
33	Rear Rail [B4]	JSS-033	1
34	Left Rear Rail End Cap [B3]	JSS-034	1
35	Spring Pin (3mm x 28mm) [B3]	JSS-035	1

36	Right Rear Rail End Cap [C4]	JSS-036	1
37	Storage Drawer Lid [D4]	JSS-037	
38	Storage Drawer [D4]	JSS-038	1
40	M5x1.59x16 Washer Head Phillips Thread Cutting Screw [D3] [D4]	JSS-040	2
N/A	Fence Assembly (includes items 41-72) [A2]	JSS-FA	1
41	Fence Tube (includes item 53) [A2]	JSS-041	1
42	Support Shelf [A2]	JSS-042	1
43	Fence End Cap [A3]	JSS-043	1
44	Support Shelf Knob [A2]	JSS-044	1
45	M6x1.0x16 Flange Head Phillips Screw [A2]	JSS-045	2
46	M4x1.41x10 Button Head Phillips Screw [A2]	JSS-046	1
47	Support Shelf Spring [A3]	JSS-047	1
48	M5x1.59x25 Pan Head Phillips Screw [A3]	JSS-048	4
49	Fence Roller Pin (4mm x 16mm) [A3]	JSS-049	1
50	16mm O-Ring [A3]	JSS-050	1
51	Fence Roller Wheel [A3]	JSS-051	1
52	Fence Roller Cover [A3]	JSS-052	1
53	SawStop Fence Label [A2]	JSS-053	1
54	Fence Head Assembly (includes items 55-72) [A2]	JSS-054	1
55	Fence Latch Pivot Pin (5mm x 36mm) [A1]	JSS-055	1
56	3mm E-Style Retaining Ring [B2]	JSS-056	1
57	M6x1.0 Left-Hand Jam Nut [A2]	JSS-057	1
58	Fence Pointer [A2]	JSS-058	1
59	M6x1.0x9.5 Fence Indicator Lens Screw [B2]	JSS-059	1
60	Fence Glide Pad [B2]	JSS-060	1
61	Fence Glide Pad Screw [B2]	JSS-061	1
62	8mm E-Style Retaining Ring [B2]	JSS-062	1
63	M6x1.0x14 Flat Tip Set Screw [B1]	JSS-063	1
64	Fence Latch Spring [A1]	JSS-064	1
65	Grooved Clevis Pin (8mm x 39mm) [A1]	JSS-065	1
66	M5x0.8 Jam Nut [B1]	JSS-066	1
67	M5x0.8x30 Button Head Socket Screw [A1]	JSS-067	1
68	M5x10x2 Washer [A1]	JSS-068	1

Coordinates in square brackets [] correspond to the grid in the exploded view.

(cont.)

TABLE AND FENCE (CONT.)

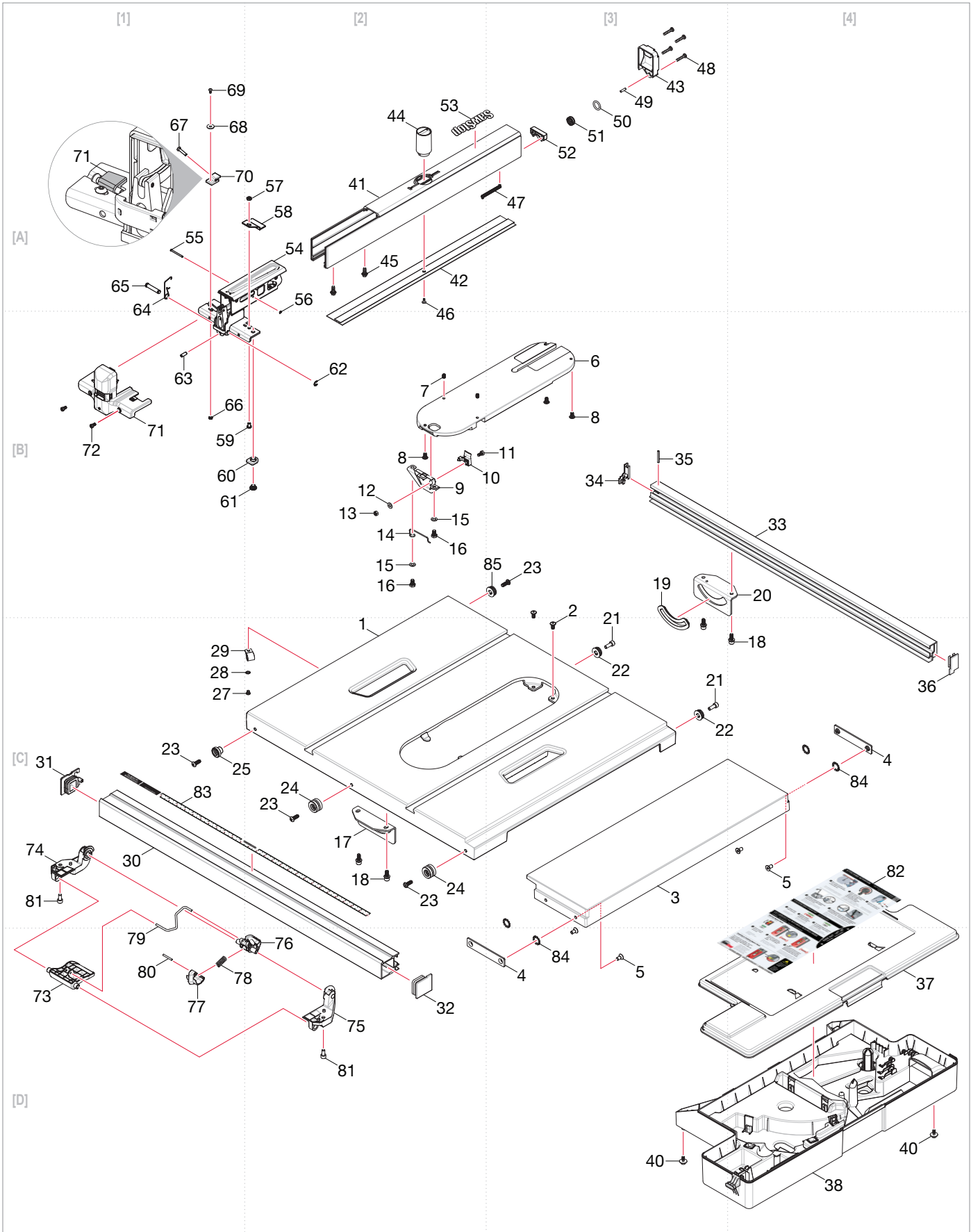


TABLE AND FENCE (CONT.)

69	M5x0.8x10 Button Head Socket Screw [A1]	JSS-069	1
70	Fence Parallelism Adjustment Pad [A1]	JSS-070	1
71	Fence Head Cover [B1]	JSS-071	1
72	M5x0.8x12 Flat Head Socket Screw [B1]	JSS-072	2
73	Rail Handle [D1]	JSS-073	1
74	Left Rail Handle Bracket [C1]	JSS-074	1
75	Right Rail Handle Bracket [D2]	JSS-075	1
76	Rail Lock Linkage Cam [D2]	JSS-076	1

77	Rail Lock Clamp Cam [D1]	JSS-077	1
78	Rail Locking Cam Spring [D1]	JSS-078	1
79	Rail Lock Link [C1]	JSS-079	1
80	Dowel Pin (3mm x 25mm) [D1]	JSS-080	1
81	M6x1.0x10 Pan Head Phillips Screw [C1] [D2]	JSS-081	2
82	Storage Drawer Label [C4]	JSS-082	1
83	Fence Ruler (in) [C1]	JSS-299	1
	Fence Ruler (mm) [C1]	JSS-320	
84	M12 External Tooth Lock Washer [C4] [D3]	JSS-307	4
85	Rear Left Rail Mount Pad [B3]	JSS-328	1

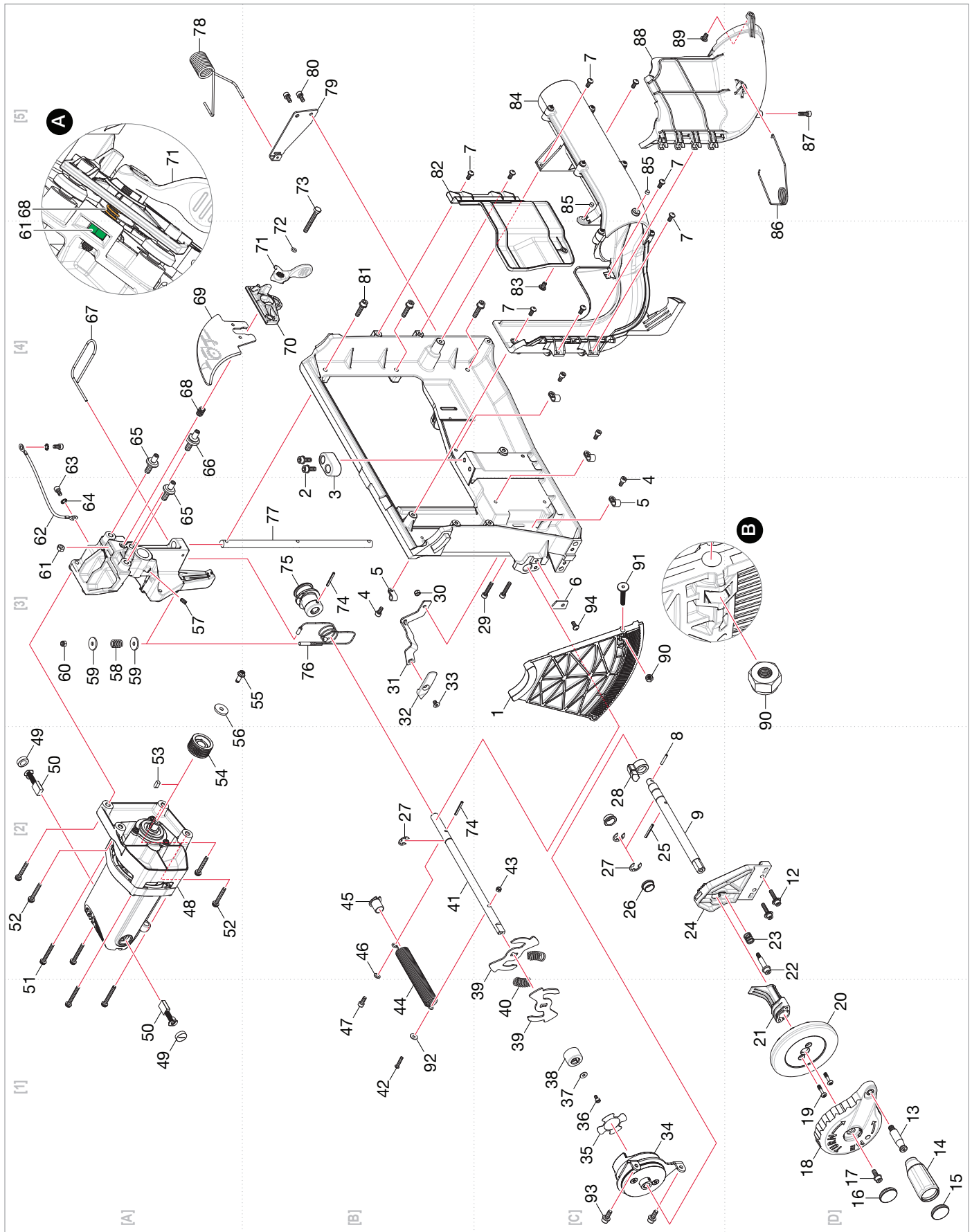
Coordinates in square brackets [] correspond to the grid in the exploded view.

CABINET ASSEMBLY

No.	Description	Part No.	Qty.
1	Cabinet Base [D3]	JSS-083	1
2	M5x1.59x16 Pan Head Phillips Screw [D2, various]	JSS-084	15
3	Support Foot [C4] [D2] [D4] [E3]	JSS-085	4
4	M5x16x2 Washer [C4] [D2] [D4] [E3]	JSS-086	4
5	M5x1.59x25 Pan Head Phillips Screw [C4] [D2] [D4] [E3]	JSS-087	4
6	Cabinet [B3]	JSS-088	1
7	M8x1.25x90 Button Head Socket Screw [A3] [B2] [B3] [B4]	JSS-089	4
8	M8x20x2 Washer [A3, various] [D3, various]	JSS-090	8
9	M8x1.25 Lock Nut [D3] [E2] [E3] [E4]	JSS-091	4
10	M5x1.59x20 Pan Head Phillips Screw [C3] [C4]	JSS-092	2
11	M5x16x2 Washer [C3] [C4]	JSS-093	2
12	Front Fence Storage Bracket [C4]	JSS-094	1
13	Rear Fence Storage Bracket [B4]	JSS-095	1
14	Fence Storage Retainer [B4]	JSS-096	1
15	Fence Storage Spring [B4]	JSS-097	1
16	Fence Storage Lock [B4]	JSS-098	1
17	M5x0.8x16 Socket Head Cap Combination Screw [B3]	JSS-099	2
18	M6x1.0x25 Socket Head Cap Combination Screw [A3] [B2] [B3] [B4]	JSS-100	4
19	Specification Label [A4]	JSS-101	1
	Specification Label (JSS-AU) [A4]	JSS-313	
	Specification Label (JSS-TW) [A4]	JSS-323	
	Specification Label (JSS-CH) [A4]	JSS-324	
20	M4x1.41x16 Pan Head Phillips Screw [B4]	JSS-102	2
21	Power Cord Clamp [A4]	JSS-103	1
	Power Cord Clamp (JSS-AU) [A4]	JSS-317	
22	Accessory Storage Plate [A4]	JSS-104	1
23	M5x1.59x12 Flat Head Phillips Screw [A4]	JSS-105	2
24	Accessory Storage Lock [A4]	JSS-106	1
25	Accessory Storage Screw [A4]	JSS-107	1
26	Arbor Flange Wrench [A4]	JSS-108	1
27	Arbor Nut Wrench [A4]	JSS-109	1
28	Patent Label [A4]	JSS-110	1
29	Accessory Storage Spring [A3]	JSS-111	1
30	M4x14x1 Washer [A3]	JSS-112	2
31	Storage Lock Spring [A3]	JSS-113	1
32	M4x0.7 Lock Nut [A4]	JSS-114	1
33	9.2mm Cable Clamp [B2] [B3]	JSS-115	3
	6.3mm Cable Clamp (JSS-AU) [B2] [B3] [C2]	JSS-327	2
34	M5x1.59x12 Pan Head Phillips Screw [A1] [B2] [B3] [C2]	JSS-116	4
35	Motor Cover [A1]	JSS-117	1
36	M5x16x1 Washer [A1]	JSS-118	1
37	Main Warning Label [A2]	JSS-119	1
38	System Status Label [B2]	JSS-120	1
39	Cable Tie [B1]	JSS-121	1
40	120VAC Power Cord [B1]	JSS-122	1
	230VAC Power Cable (JSS-AU) [B1]	JSS-309	
	230VAC Power Cable (JSS-CH) [B1]	JSS-326	
41	M5x1.59x30 Pan Head Phillips Screw [B1]	JSS-123	4
42	Switch Box Back Assembly [C1]	JSS-124	1
43	Switch Box Front Assembly [C1]	JSS-125	1
N/A	Switch Box Assembly (JSS-AU) (includes items 40-43, 56)	JSS-319	1
N/A	Switch Box Assembly (JSS-CH) (includes items 40-43)	JSS-325	1
44	Bypass Key [C1]	JSS-126	1
45	Angle Ruler Label [C2]	JSS-127	1
46	Tilt Label [B2]	JSS-128	1
47	SawStop Label [C2]	JSS-129	1
48	MicroAdjust Tilt Knob [C2]	JSS-130	1
49	MicroAdjust Tilt Arm [C3]	JSS-131	1
50	Spring Pin (2mm x 22mm) [C3]	JSS-132	1
51	M6x45x2 Washer [C3]	JSS-133	1
52	MicroAdjust Knob Spacer [C4]	JSS-134	1
53	M6x1.0x35 Socket Head Cap Screw [C4]	JSS-135	1
54	Tilt Adjust Label [C2]	JSS-136	1
55	Switch Box Lock Out Key [B1]	JSS-329	1
56	EMC Filter (JSS-AU) [B1]	JSS-310	1
57	Power Cord Velcro Tie (JSS-AU) [C4]	JSS-315	1

Coordinates in square brackets [] correspond to the grid in the exploded view.

INTERNAL ASSEMBLY



INTERNAL ASSEMBLY

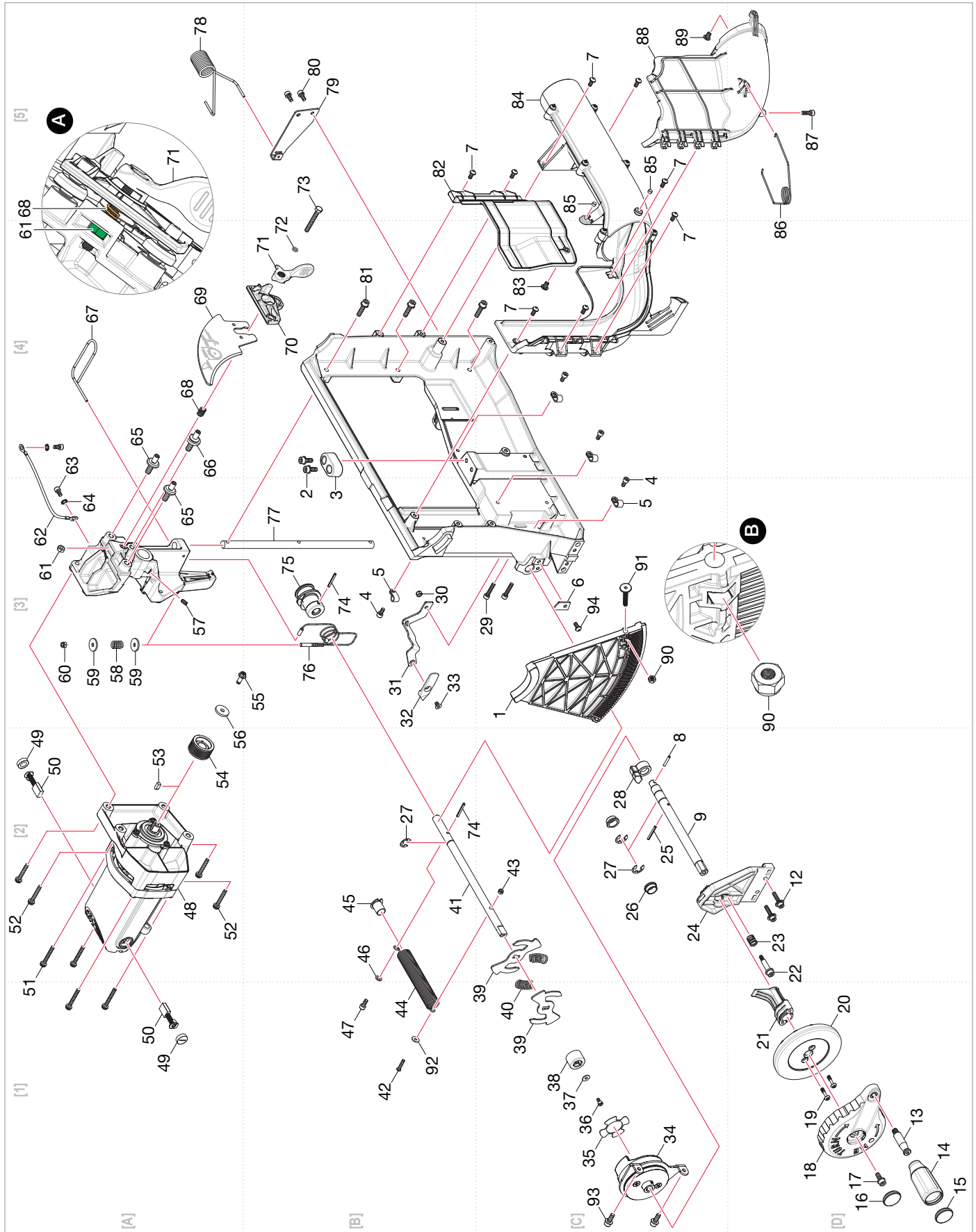
No.	Description	Part No.	Qty.
1	Tilt Angle Rack [C3]	JSS-137	1
2	M6x1.0x16 Socket Head Cap Combination Screw [B4]	JSS-138	2
3	Arbor Bumper [B4]	JSS-139	1
4	M5x0.8x10 Socket Head Cap Screw [B3] [C4]	JSS-140	4
5	6.3mm Cable Clamp [B3] [C4]	JSS-141	4
6	Tilt Rack Retaining Bracket [C3]	JSS-142	1
7	M5x0.8x12 Button Head Socket Combination Screw [B5] [C4] [C5]	JSS-143	8
8	Spring Pin (3mm x 20mm) [C2]	JSS-144	1
9	Elevation Input Shaft [C2]	JSS-145	1
12	M5x0.8x25 Socket Head Cap Combination Screw [D2]	JSS-148	2
13	Handwheel Handle Post [D1]	JSS-149	1
14	Handwheel Handle [D1]	JSS-150	1
15	Handwheel Cap [D1]	JSS-151	1
16	Handwheel Cap [D1]	JSS-152	1
17	M6x1.0x16 Socket Head Cap Combination Screw [D1]	JSS-153	1
18	Handwheel [D1]	JSS-154	1
19	M5x1.59x16 Pan Head Phillips Screw [D1]	JSS-155	2
20	Tilt Lock Handle [D1]	JSS-156	1
21	Tilt Lock Sleeve [D1]	JSS-157	1
22	M5x0.8 Socket Head Shoulder Screw (7mm x 23mm) [D2]	JSS-158	1
23	Tilt Locking Spring [D2]	JSS-159	1
24	Tilt Locking Plate [C2]	JSS-160	1
25	Spring Pin (5mm x 28mm) [C2]	JSS-161	1
26	Bushing (14mm x 17mm x 6mm) [C2]	JSS-162	2
27	14mm E-Style Retaining Ring [B2] [C2]	JSS-163	3
28	Elevation Limit Collar [C2]	JSS-164	1
29	M5x0.8x25 Socket Head Cap Screw [C3]	JSS-165	2
30	M5x0.8 Lock Nut [B3]	JSS-166	1
31	Tilt Indicator Bracket [B3]	JSS-167	1
32	Tilt Indicator [B3]	JSS-168	1
33	M5x0.8x8 Red Flat Head Socket Screw [B3]	JSS-169	1
34	Backdrive Prevention Assembly [C1]	JSS-170	1
35	Coupler Seal [C1]	JSS-171	1
36	M4x0.7x8 Socket Head Cap Screw [C1]	JSS-172	1
37	M4x10x1 Washer [C1]	JSS-173	1

38	Elevation Control Shaft Coupler [C1]	JSS-174	1
39	Shock Spring Mounting Plate [C1] [C2]	JSS-175	2
40	Shock Compression Spring [C1] [C2]	JSS-176	2
41	Elevation Control Shaft [B2]	JSS-177	1
42	M4x0.7x20 Button Head Socket Screw [B1]	JSS-178	1
43	M4x0.7 Lock Nut [C2]	JSS-179	1
44	Elevation Balance Spring [B1]	JSS-180	1
45	Elevation Spring Bushing [B2]	JSS-181	1
46	M5x10x1 Washer [B2]	JSS-182	1
47	M5x0.8x12 Button Head Socket Screw [B1]	JSS-183	1
48	120V, 60Hz Motor (JSS and JSS-TW) [A2]	JSS-184	1
	230V, 50Hz Motor (JSS-AU and JSS-CH) [A2]	JSS-311	1
49	Motor Brush Cap [A1] [A2]	JSS-185	2
50	Motor Brush [A1] [A2]	JSS-186	2
51	M5x0.8x35 Pan Head Phillips Combination Screw [A1] [A2]	JSS-187	4
52	M6x1.0x25 Socket Head Cap Combination Screw [A2]	JSS-188	4
53	M5x5x12 Key [A2]	JSS-189	1
54	Motor Pulley [A2]	JSS-190	1
55	M6x1.0x16 Flange Head Phillips Screw [A3]	JSS-191	1
56	M6x23x3 Washer [A3]	JSS-192	1
57	M5x0.8x12 Set Screw [A3]	JSS-193	1
58	Cable Tensioning Spring [A3]	JSS-194	1
59	M5x16x3 Washer [A3]	JSS-195	2
60	M5x0.8 Lock Nut [A3]	JSS-196	1
61	M6x1.0 Hex Nut [A3]	JSS-197	1
62	Trunnion Grounding Wire [A3]	JSS-198	1
63	M5x0.8x10 Socket Head Cap Screw [A3] [A4]	JSS-199	2
64	M5 External Tooth Lock Washer [A3] [A4]	JSS-200	2
65	Spreader Mounting Pin [A3] [A4]	JSS-201	2
66	Spreader Locating Pin [A4]	JSS-202	1
67	Shipping Pin [A4]	JSS-203	1
68	Spreader Clamp Spring [A4]	JSS-204	1
69	2.3mm Riving Knife [A4]	JSS-205	1
70	Spreader Clamp Plate [B4]	JSS-206	1
71	Spreader Clamp Handle [B4]	JSS-207	1
72	M6 Polyurethane O-Ring [B4]	JSS-208	1
73	M6x1.0x45 Hex Head Bolt [B5]	JSS-209	1
74	Spring Pin (3mm x 28mm) [B3]	JSS-210	1
75	Elevation Control Pulley [B3]	JSS-211	1

Coordinates in square brackets [] correspond to the grid in the exploded view.

(cont.)

INTERNAL ASSEMBLY (CONT.)



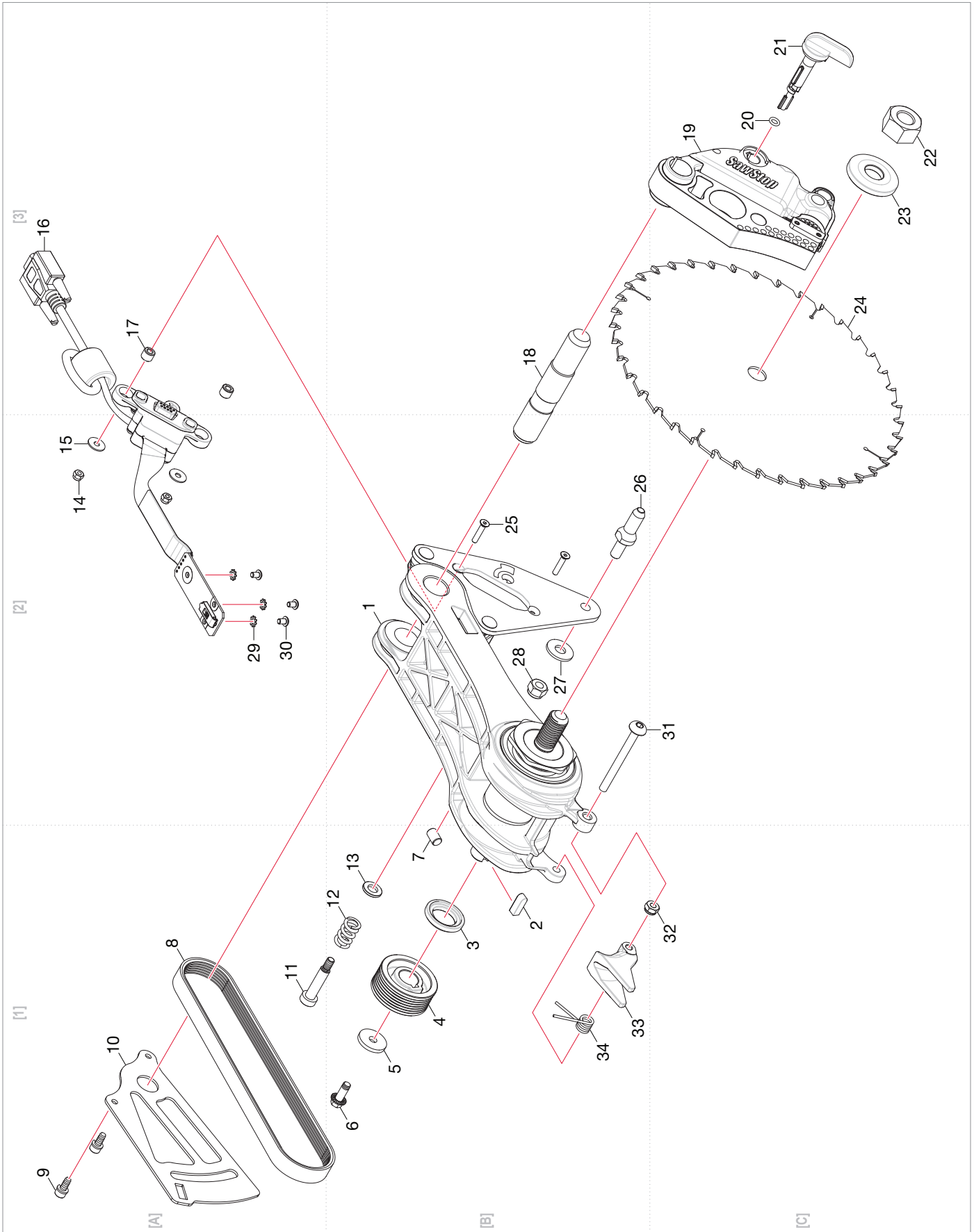
INTERNAL ASSEMBLY (CONT.)

76	Elevation Cable [B3]	JSS-212	1
77	Elevation Shaft [B3]	JSS-213	1
78	Counterbalance Spring [A5]	JSS-214	1
79	Counterbalance Spring Bracket [B5]	JSS-215	1
80	M5x0.8x12 Socket Head Cap Combination Screw [B5]	JSS-216	2
81	M6x1.0x25 Socket Head Cap Combination Screw [B4]	JSS-217	3
82	Rear Blade Shroud [B5]	JSS-218	1
83	M6x1.0x9.5 Insert Leveling Screw [C4]	JSS-219	1
84	Dust Shroud Base [C5]	JSS-220	1
85	Dust Shroud Magnet [C5]	JSS-221	2

86	Dust Shroud Door Spring [D5]	JSS-222	1
87	M5x0.8x16 Socket Head Cap Screw [D5]	JSS-223	1
88	Dust Shroud Door [C5]	JSS-224	1
89	M6x1.0x9.5 Insert Leveling Screw [C5]	JSS-225	1
90	M6x1.0 Lock Nut [C3]	JSS-226	1
91	Tilt Angle Rack Adjustment Screw [C3]	JSS-227	1
92	M4x10x1 Washer [B1]	JSS-228	1
93	M6x1.0x16 Socket Head Cap Combination Screw [C1]	JSS-229	2
94	M5x0.8x12 Button Head Socket Combination Screw [C3]	JSS-230	1

Coordinates in square brackets [] correspond to the grid in the exploded view.

ARBOR ASSEMBLY

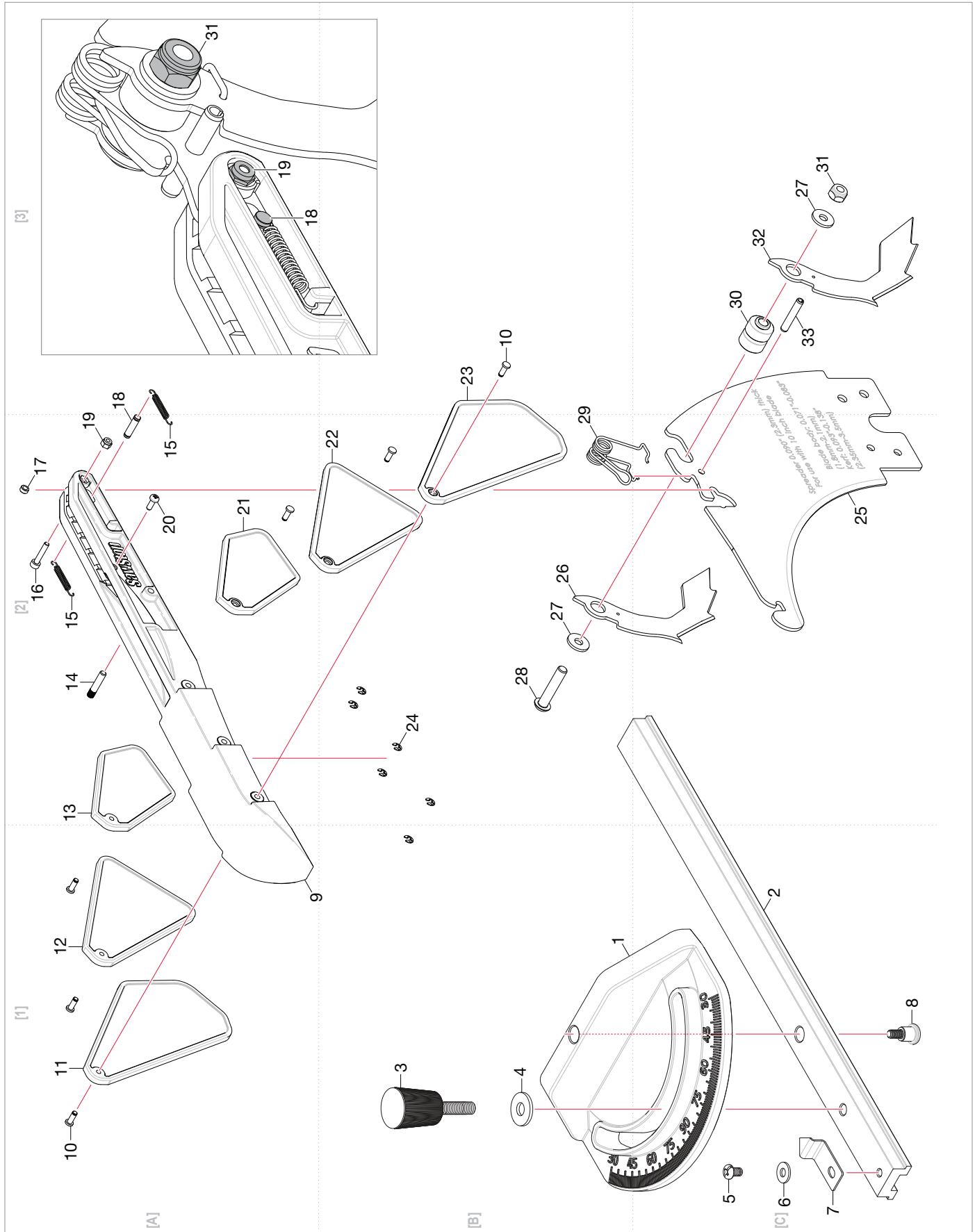


ARBOR ASSEMBLY

No.	Description	Part No.	Qty.
1	Arbor Block Assembly (includes items 1-7, 11-18, 25-34) [B2]	JSS-444	1
2	M6x6x18 Key [B1]	JSS-232	1
3	Arbor Spacer [B1]	JSS-233	1
4	Arbor Pulley [B1]	JSS-234	1
5	M6x23x3 Washer [B1]	JSS-235	1
6	M6x1.0x16 Flange Head Phillips Screw [B1]	JSS-236	1
7	Retraction Guide Pin [B1]	JSS-237	1
8	Belt (Replacement Kit) [A1]	JSS-238	1
9	M5x0.8x12 Socket Head CapCombination Screw [A1]	JSS-239	2
10	Retraction Bracket [A1]	JSS-240	1
11	M6x1.0 Socket Head Shoulder Bolt (8mm x 33mm) [A1]	JSS-241	1
12	Retraction Spring [B1]	JSS-242	1
13	M8x16x2 Washer [B1]	JSS-243	1
14	M4x0.7 Lock Nut [A2]	JSS-244	2
15	M4x14x1 Washer [A2]	JSS-245	2
16	Cartridge Cable Assembly [C3]	JSS-246	1
17	Cartridge Bracket Spacer [A3]	JSS-247	2
18	Arbor Pivot Shaft [B3]	JSS-248	1
19	Brake Cartridge for 10" Blade [C3]	TSBC-10R2 or TSBC-10R3	1
	Brake Cartridge for 8" Dado Set [C3]	TSDC-8R2 or TSDC-8R3	
20	Cartridge Key O-Ring [C3]	JSS-250	1
21	Cartridge Key (includes item 20) [C3]	JSS-251	1
22	Arbor Nut [C3]	JSS-252	1
23	Arbor Washer [C3]	JSS-253	1
24	10" Combination Saw Blade [C3]	JSS-254	1
25	M4x0.7x20 Flat Head Socket Screw [B2]	JSS-255	2
26	Cartridge Positioning Pin [B2]	JSS-256	1
27	M8x16x2 Washer [B2]	JSS-257	1
28	M8x1.25 Lock Nut [B2]	JSS-258	1
29	M4 External Tooth Washer [A2]	JSS-259	3
30	M4x0.7x6 Button Head Socket Screw [A2]	JSS-260	3
31	M6x1.0 Alignment Block Bolt [B2]	JSS-261	1
32	M6x1.0 Lock Nut [C1]	JSS-262	1
33	Alignment Block [B1]	JSS-263	1
34	Block Alignment Spring [B1]	JSS-264	1

Coordinates in square brackets [] correspond to the grid in the exploded view.

BLADE GUARD AND MITER GAUGE ASSEMBLY

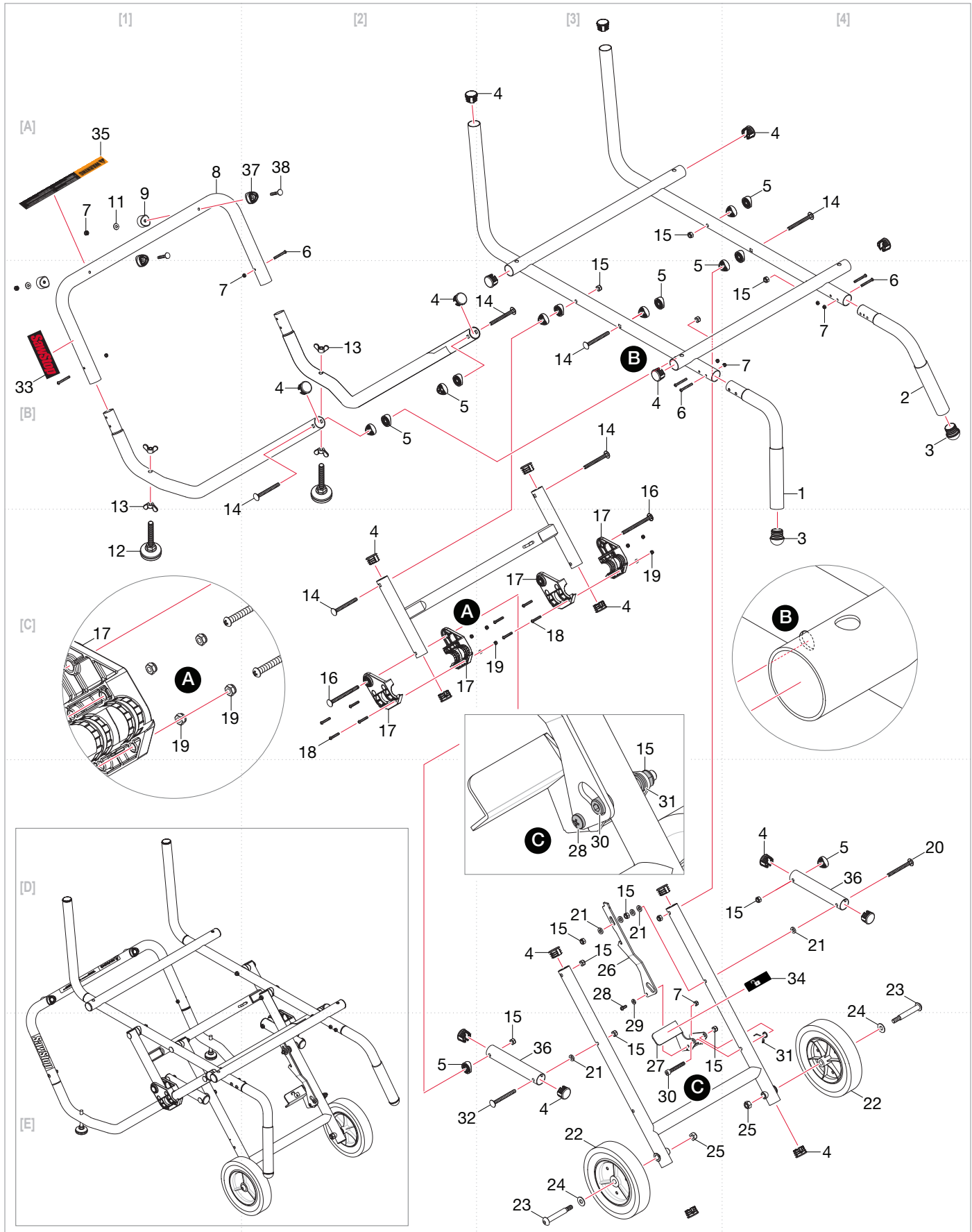


BLADE GUARD AND MITER GAUGE ASSEMBLY

No.	Description	Part No.	Qty.
N/A	Miter Gauge Assembly (includes items 1-8)	JSS-265	1
1	Miter Gauge Head [B2]	JSS-266	1
2	Miter Gauge Bar [C1]	JSS-267	1
3	Miter Gauge Handle [B1]	JSS-268	1
4	M6x16x1.6 Washer [B1]	JSS-269	1
5	M4x0.7x6 Pan Head Phillips Screw [C1]	JSS-270	1
6	M4x10x1 Washer [C1]	JSS-271	1
7	Miter Gauge Angle Indicator [C1]	JSS-272	1
8	M4x0.7 Pan Head Phillips Shoulder Screw (69mm x 63mm) [C1]	JSS-273	1
N/A	JSS Micro-Guard Blade Guard Assembly (includes items 9-33)	JSS-MG	1
N/A	Complete Top Guard Assembly (includes items 9-24)	TSG-MG-026	1
9	Top Guard [A2]	JSS-274	1
10	Grooved Clevis Pin (3mm x 8mm) [A1] [A2] [B2] [B3]	JSS-275	6
11	Side Guard Front Left [A1]	JSS-276	1
12	Side Guard Middle Left [A1]	JSS-277	1
13	Side Guard Rear Left [A2]	JSS-278	1
14	Front Dowel Pin (4mm x 20mm) [A2]	JSS-279	1
15	Top Guard Extension Spring [A2] [A3]	JSS-280	2
16	M3x0.5x16 Socket Head Cap Screw [A2]	JSS-281	1
17	Rear Grooved Pin Spacer [A2]	JSS-282	1
18	Rear Grooved Pin (4mm x 15mm) [A2]	JSS-283	1
19	M3x0.5 Lock Nut [A2]	JSS-284	1
20	M3x1.06x8 Pan Head Phillips Screw [A2]	JSS-285	1
21	Side Guard Rear Right [A2]	JSS-286	1
22	Side Guard Middle Right [B2]	JSS-287	1
23	M4x16x3 Polycarbonate Side Guard Front Right [B2]	JSS-288	1
24	3mm E-Style Retaining Ring [B2] [B3]	JSS-289	6
25	Spreader (includes item 33) [C2]	JSS-290	1
26	Anti-Kickback Pawl Left [B2]	JSS-291	1
27	AM6x16x1.5 Washer [B2] [C3]	JSS-292	2
28	M6x1.0x30 Button Head Socket Screw [B2]	JSS-293	1
29	Pawl Spring [B2]	JSS-294	1
30	Pawl Bushing [C3]	JSS-295	1
31	M6x1.0 Lock Nut [C3]	JSS-296	1
32	Anti-Kickback Pawl Right [C3]	JSS-297	1
33	Spring Pin (4mm x 25mm) [C3]	JSS-298	1

Coordinates in square brackets [] correspond to the grid in the exploded view.

MOBILE CART ASSEMBLY



MOBILE CART ASSEMBLY

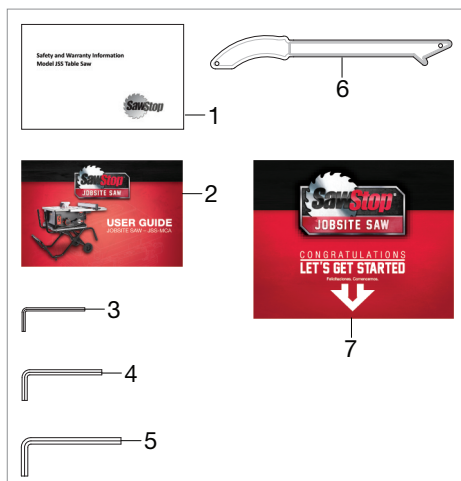
No.	Description	Part No.	Qty.
N/A	Jobsite Saw Mobile Cart Assembly (includes items 1-38)	MC-JSS	1
1	Left Handle Assembly (includes item 3) [B4]	MC-JSS-001	1
2	Right Handle Assembly (includes item 3) [B4]	MC-JSS-002	1
3	Handle End Cap [B4] [C4]	MC-JSS-003	2
4	Tube End Cap [A2, various]	MC-JSS-004	20
5	Pivot Bushing [A4, various]	MC-JSS-005	14
6	M6x1.0x40 Truss Head Phillips Screw [A2] [B1] [B3] [B4]	MC-JSS-006	6
7	M6x1.0 Lock Nut [A1] [B2] [B4] [D3]	MC-JSS-007	9
8	Storage Support Tube (includes items 33 & 35) [A1]	MC-JSS-008	1
9	Rubber Bumper [A1] [B1]	MC-JSS-009	2
11	M6x16x1 Washer [A1] [B1]	MC-JSS-011	2
12	Leveling Foot [B2] [C1]	MC-JSS-012	2
13	3/8-16 Wing Nut [B1] [B2]	MC-JSS-013	4
14	M8x1.25x82 Carriage Head Bolt [A4] [B2] [B3] [C2]	MC-JSS-014	6
15	M8x1.25 Thin Lock Nut [A3, various]	MC-JSS-015	12
16	M8x1.25x105 Carriage Head Bolt [C2] [C3]	MC-JSS-016	2
17	Sliding Coupler Assembly [C1] [C2] [C3]	MC-JSS-017	2
18	M5x0.8x30 Pan Head Phillips Screw [C2] [C3]	MC-JSS-018	8
19	M5x0.8 Lock Nut [C3]	MC-JSS-019	8

20	M8x1.25x100 Carriage Bolt [D4]	MC-JSS-020	1
21	M8x23x3 Washer [D3] [D4]	MC-JSS-021	6
22	8" Wheel [E3] [E4]	MC-JSS-022	2
23	Wheel Axle Bolt [D4] [E3]	MC-JSS-023	2
24	M14x30x1.5 Washer [E3] [E4]	MC-JSS-024	2
25	M10x1.5 Lock Nut [E3] [E4]	MC-JSS-025	2
26	Cart Lock Release Latch [D3]	MC-JSS-026	1
27	Foot Pedal (includes item 34) [D3]	MC-JSS-027	1
28	M6x1.0x20 Pan Head Phillips Screw [D3]	MC-JSS-028	1
29	M6x16x1.6 Washer [D3]	MC-JSS-029	1
30	M8x1.25x55 Socket Head Cap Screw [E3]	MC-JSS-030	1
31	Foot Pedal Lock Spring [E4]	MC-JSS-031	1
32	M8x1.25x75 Carriage Bolt [E3]	MC-JSS-032	1
33	SawStop Logo Label [B1]	MC-JSS-033	1
34	Foot Pedal Label [D4]	MC-JSS-034	1
35	Warning Label [A1]	MC-JSS-035	1
36	Connection Tube [D4] [E3]	MC-JSS-036	2
N/A	Mobile Cart Component Part Box (includes items 1-2, 22, MC-JSS-038)	MC-JSS-037	1
N/A	Mobile Cart Hardware Bag (includes items 6-7, 23-25)	MC-JSS-038	1
37	Frame Support Pad [A1] [A2]	MC-JSS-039	2
38	M6x1.0x40 Carriage Head Bolt* [A1] [A2]	MC-JSS-040	2
	M6x1.0x45 Carriage Head Bolt* [A1] [A2]	MC-JSS-045	

* Can use either 40mm or 45mm length.

Coordinates in square brackets [] correspond to the grid in the exploded view.

LITERATURE AND TOOLS



No.	Description	Part No.	Qty.
1	Safety and Warranty Information	JSS-300	1
2	User Guide	JSS-301	1
3	3mm Hex L-Wrench	JSS-303	1
4	4mm Hex L-Wrench	JSS-304	1
5	5mm Hex L-Wrench	JSS-305	1
6	Push Stick	JSS-306	1
7	Unpacking Poster	JSS-308	1



SawStop, LLC
11555 SW Myslony Street
Tualatin, Oregon 97062 USA
www.sawstop.com

Main Phone - (503) 570-3200
Service - (503) 582-9934
Fax - (503) 570-3303
Email: info@sawstop.com