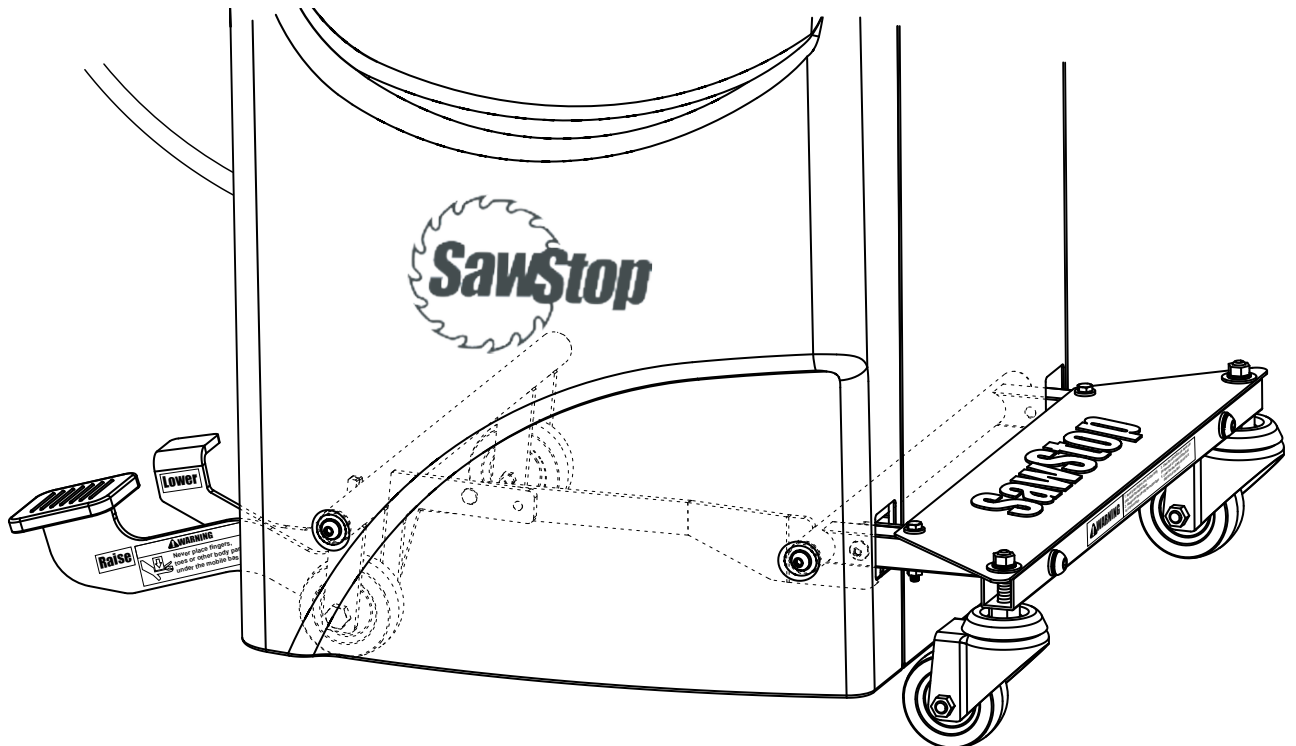


# **SawStop<sup>®</sup>**

## **Professional Cabinet Saw Mobile Base**

### **INSTALLATION GUIDE**

Model MB-PCS-000



Model MB-PCS-000

# **Warranty**

SawStop warrants to the original retail purchaser of the mobile base accompanying this guide that the mobile base will be free from defects in material and workmanship for ONE YEAR from the date of purchase. This warranty does not apply to defects arising from misuse, abuse, negligence, accidents, normal wear-and-tear, unauthorized repair or alteration, or lack of maintenance.

Please contact SawStop to take advantage of this warranty. If SawStop determines the mobile base is defective in material or workmanship, and not due to misuse, abuse, negligence, accidents, normal wear-and-tear, unauthorized repair or alteration, or lack of maintenance, then SawStop will, at its expense and upon proof of purchase, send replacement parts to the original retail purchaser necessary to cure the defect. Alternatively, SawStop will repair the mobile base, provided it is returned to SawStop, shipping prepaid, within the warranty period. This warranty is void if the mobile base is modified without the prior permission of SawStop, or if the mobile base is located or has been used outside of the country where the authorized SawStop distributor from whom the mobile base was purchased resides.

SawStop disclaims any and all other express or implied warranties, including merchantability and fitness for a particular purpose. SawStop shall not be liable for death, injuries to persons or property, or incidental, consequential, contingent or special damages arising from the use of the mobile base.

This warranty gives you specific legal rights. You may have other rights which, in the United States, vary from state to state.

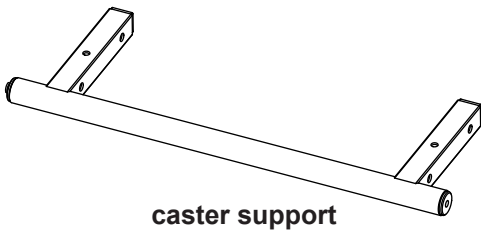
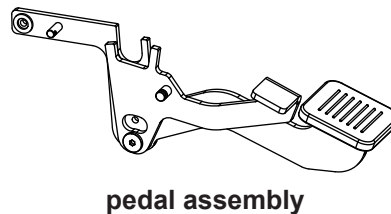
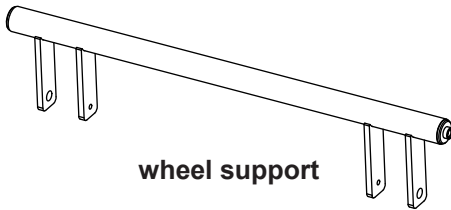
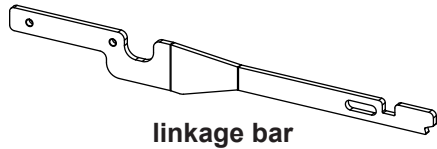
# **Safety**

1. Never place fingers, toes or other body parts under the saw when it is raised onto the mobile base. The base may suddenly lower and cause a severe injury.
2. Do not attempt to use or move the saw on an inclined surface because the weight of the saw makes it difficult to stop. Attempting to use or move the saw on an inclined surface could result in a severe injury.
3. Make sure the saw is fully lowered to the ground and stable before operating the saw. Otherwise, the saw could move unexpectedly and cause a severe injury.
4. Be sure to unplug or disconnect the saw from power before moving or repositioning it. The main power cord or the power outlet could be damaged if the saw is not disconnected from power before moving it.

**Note:** If you are using the SawStop out-feed table you must remove it before moving your saw with the mobile base. Attempting to lift the saw with the out-feed table attached may damage the out-feed table.

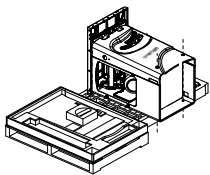
# Unpacking Your Mobile Base

While unpacking your mobile base verify that all the components shown on this page are included.



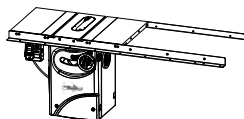
## ***Important:***

**This manual contains *two* different sets of instructions.**



**To install your mobile base on a new Professional Cabinet Saw that has not yet been assembled...GO TO PAGE 2.**

**-OR-**



**To install your mobile base on a Professional Cabinet Saw that already has a fence system installed ...GO TO PAGE 10.**

# Installing Your Mobile Base - Method 1

**START HERE to install your mobile base on a new Professional Cabinet Saw that has not yet been assembled.**

1. You need access to the bottom of your saw to install the mobile base. The easiest and safest way to provide that access is to leave the saw facing up on the packaging and slide it so that the bottom of the cabinet overhangs the edge of the packaging as shown in Fig. 1. The saw should overhang the packaging enough to clear the rectangular and circular holes around the bottom of the cabinet.

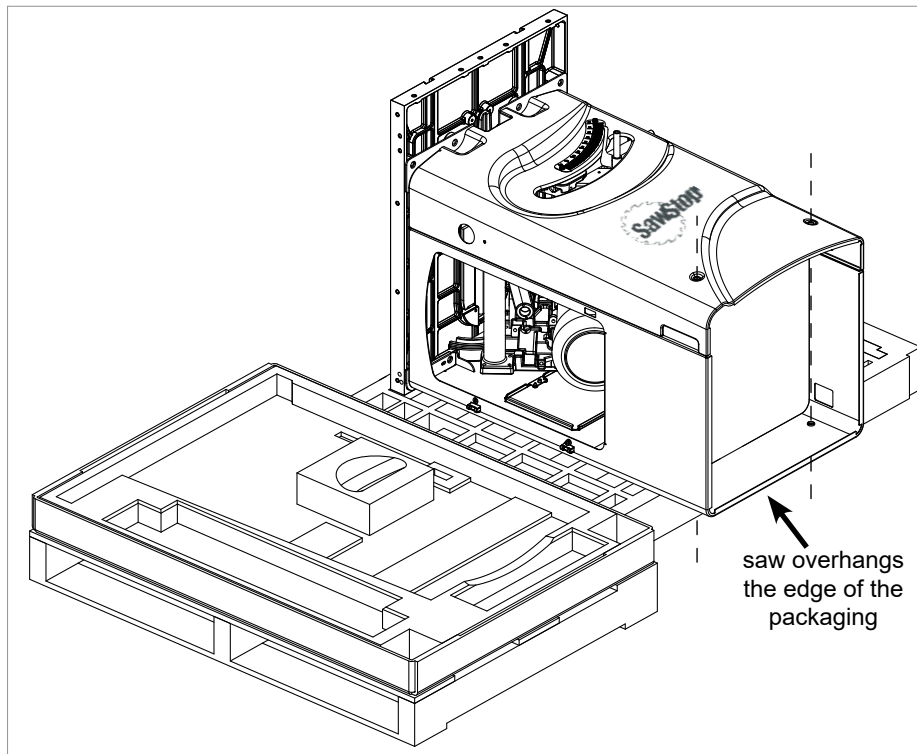


Fig. 1

2. Locate all of the mobile base components shown on page 1. All of the hardware needed to install the mobile base is located on the hardware pack (see Fig. 2). In order to easily identify the hardware used in each of the following steps, the different pieces of hardware are numbered on the hardware pack and in the figures. If you are missing the hardware pack or any of the other mobile base components, call the SawStop Service Department at 503-582-9934 for replacements.

You will need the following tools to complete the mobile base installation:

- 5 mm hex key
- 6 mm hex key
- 10 mm socket
- 10 mm wrench
- 14 mm wrench
- 17 mm wrench

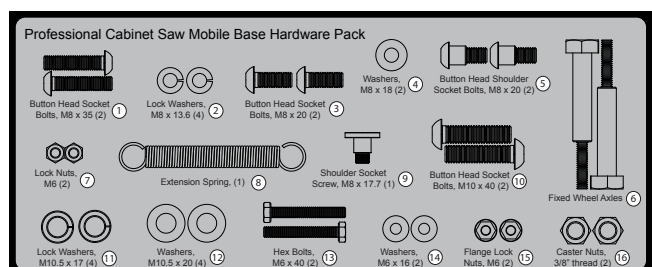


Fig. 2

# Installing Your Mobile Base - Method 1

3. Locate the caster support, the linkage bar, two M8 x 35 button head socket bolts, and two M8 x 13.6 lock washers. Note that one end of the caster support has a mounting shoulder and the other end does not (see Fig. 3a). Mount the linkage bar to the inside of the caster support arm nearest the end without the mounting shoulder as shown in Fig. 3b. Use the button head sockets bolts, lock washers, and a 5 mm hex key to mount the linkage bar to the caster support arm. Make sure the linkage bar is positioned as shown in Fig. 3b with the caster support in the notch on the linkage bar.

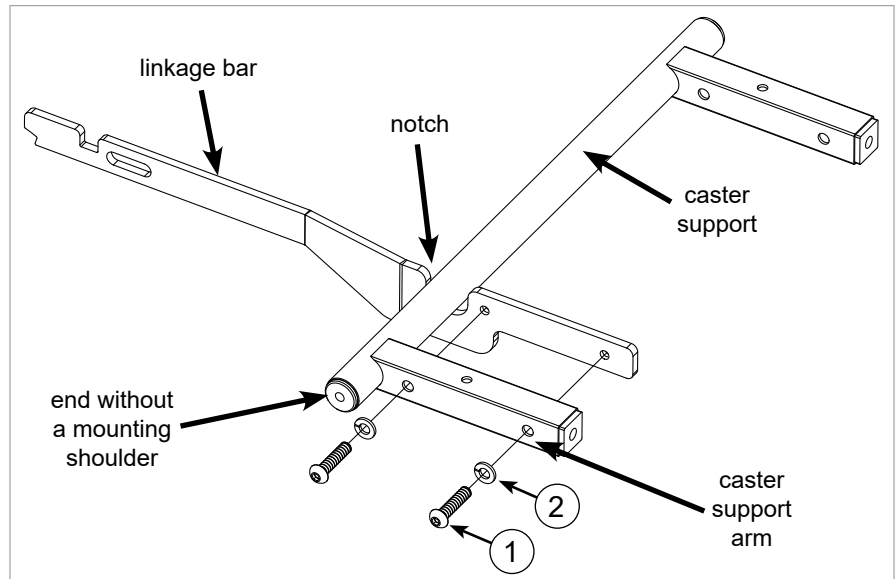
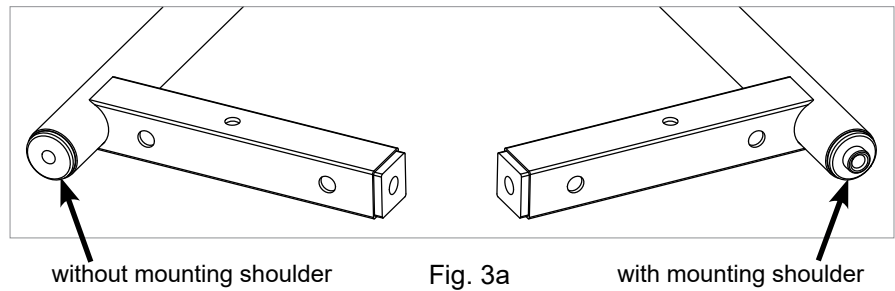


Fig. 3b

4. With the saw resting on the packaging, facing up and overhanging the edge, place the ends of the two caster support arms through the two holes in the inside right face of the saw, as shown in Fig. 4. Make sure that the caster support is oriented so that the linkage bar is next to the front of the cabinet.

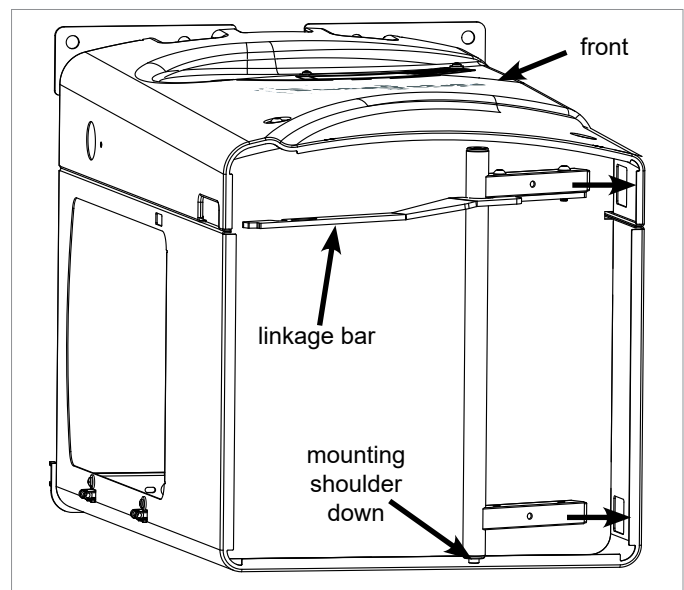


Fig. 4

# **Installing Your Mobile Base - Method 1**

5. The end of the caster support next to the back of the saw is the end with the mounting shoulder. Insert the mounting shoulder through the mounting hole in the rear of the cabinet and secure that end of the caster support to the cabinet with one M8 x 20 button head socket bolt, one M8 x 13.6 lock washer, and one M8 x 18 washer (see Fig. 5). Fully tighten the bolt using a 5 mm hex key.

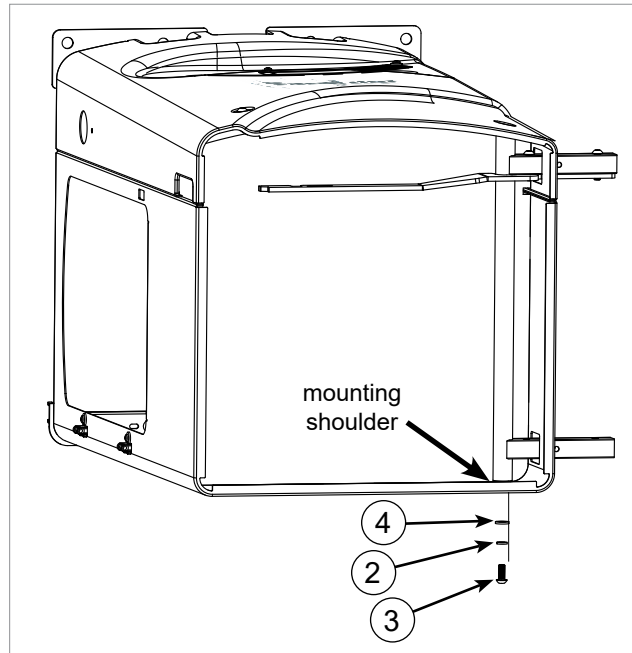


Fig. 5

6. Align the front end of the caster support with the mounting hole in the lower right corner of the front of the cabinet and secure that end of the caster support to the cabinet with an M8 x 20 button head shoulder socket bolt (see Fig. 6). Note that this bolt is different than the bolt used to secure the rear of the caster support to the cabinet. Fully tighten the bolt using a 5 mm hex key.

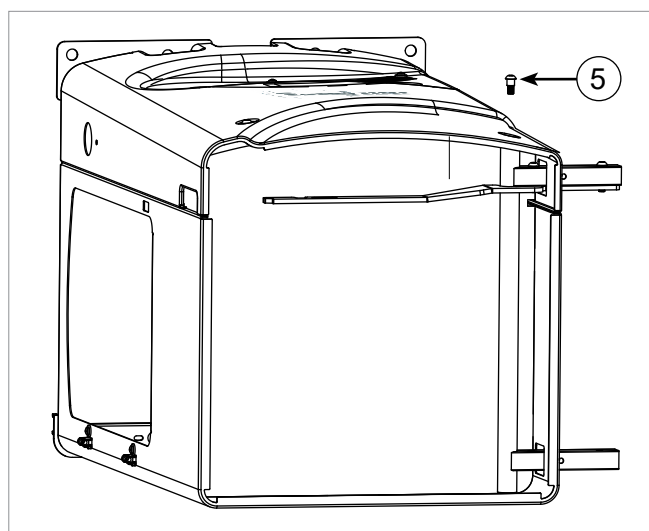


Fig. 6

# Installing Your Mobile Base - Method 1

7. Locate the wheel support and the two 3 inch wheels. Note that one end of the wheel support has a mounting shoulder and the other end does not. Mount one of the 3 inch wheels between the two support arms nearest the end of the wheel support that has the mounting shoulder using a fixed wheel axle and an M6 lock nut from the hardware pack (see Fig. 7). The fixed wheel axle passes through the outer support arm and threads through the inner support arm. Fully tighten the nut using a 17 mm wrench and a 10 mm wrench.

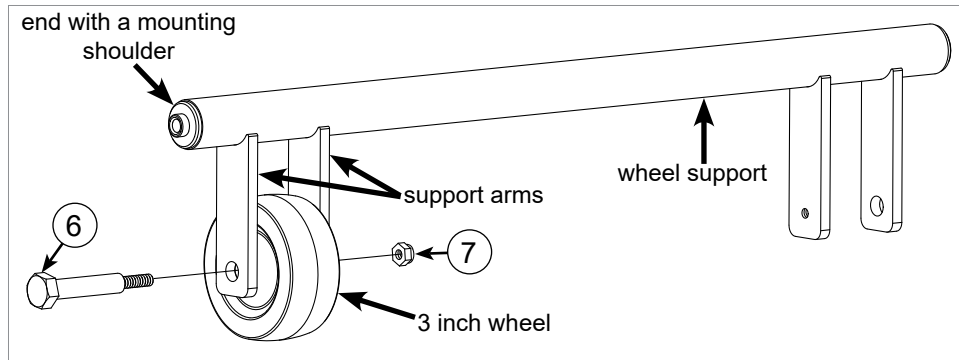


Fig. 7

8. Mount the second 3 inch wheel to the other end of the wheel support using the other fixed wheel axle, but do not thread a nut onto the axle (see Fig. 8). The fixed wheel axle passes through the outer support arm and threads through the inner support arm. Set the wheel support aside for a moment.

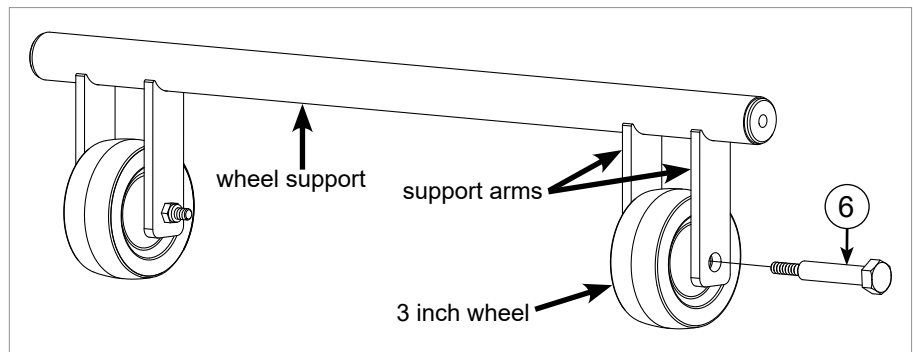


Fig. 8

9. Locate the pedal assembly and insert it into the hole in the left side of the cabinet as shown in Fig. 9. Insert the pedal assembly as far as possible and make sure that the foot pad is facing the top of the cabinet.

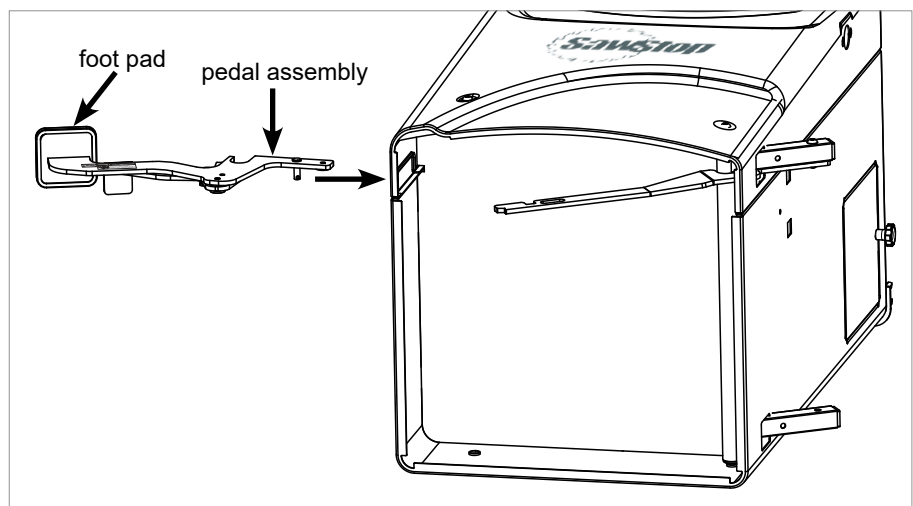


Fig. 9

# **Installing Your Mobile Base - Method 1**

10. Remove the extension spring from the hardware pack and attach one end of the spring to the small pin in the pedal assembly by sliding one end of the spring through the hole in the small pin. Stretch the other end of the spring over the large pin in the pedal assembly (see Fig. 10). There is a circular groove on the large pin to hold the spring in place.

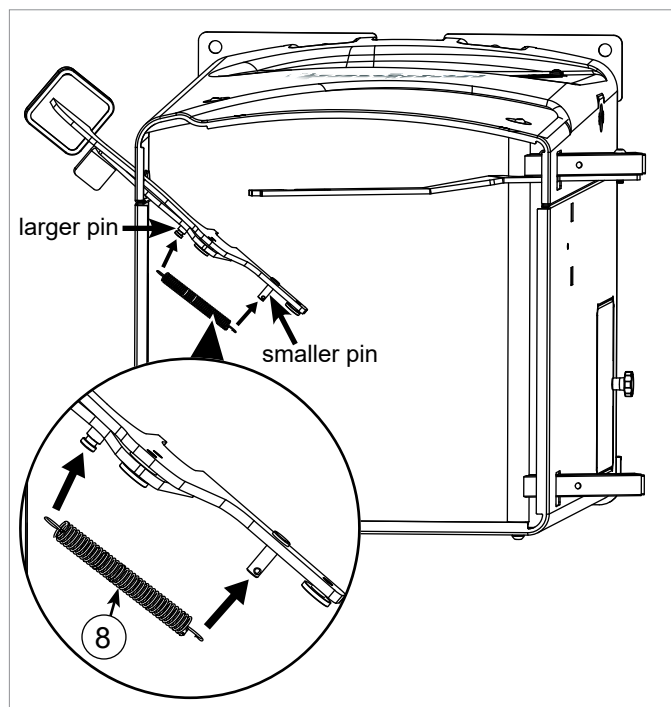


Fig. 10

11. Take the wheel support and place it inside the cabinet and behind the pedal assembly, as shown in Fig. 11. Make sure that the end of the wheel assembly with the mounting shoulder is at the rear of the cabinet. It might be a little awkward to position the wheel support behind the pedal assembly, but the pedal assembly is loose and can move to allow you to position the wheel support. When the wheel support is correctly positioned the pedal assembly will be between the two wheels (see Fig. 11). The pedal assembly must be inserted through the hole in the cabinet before the wheel support is placed inside the cabinet, otherwise the wheel support will block the pedal assembly.

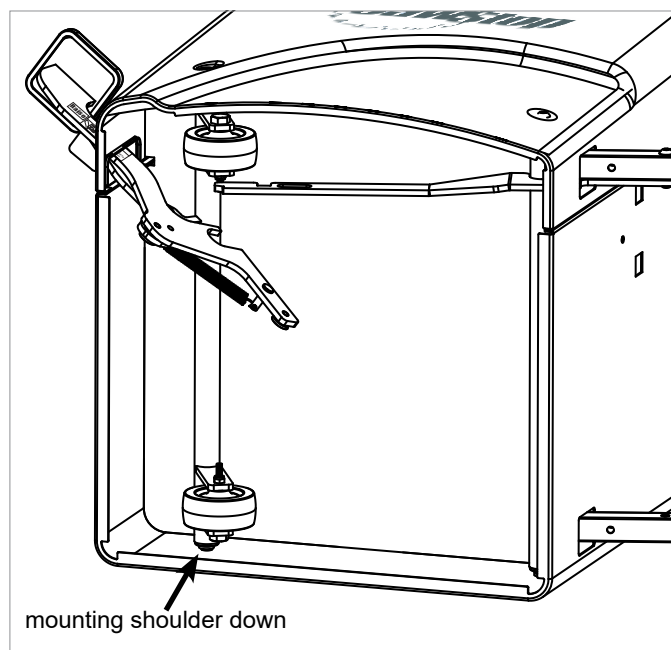


Fig. 11



# Installing Your Mobile Base - Method 1

12. Insert the mounting shoulder on the rear end of the wheel assembly through the mounting hole on the rear of the cabinet and secure that end to the cabinet with one M8 x 20 button head socket bolt, one M8 x 13.6 lock washer, and one M8 x 18 washer (see Fig. 12). Fully tighten the bolt using a 5 mm hex key.
13. You must now position the pedal assembly so that it fits against the wheel support. The pedal assembly includes notches shaped to fit over the wheel support bar, and a mounting hole shaped to fit over the threaded end of the fixed wheel axle (see Fig. 13b). Squeeze the foot pad and the release lever together until the notches for the wheel support align as shown in Fig. 13a. With the slots aligned, position the pedal assembly so that the wheel support bar fits in the notches and so that the threaded end of the fixed wheel axle extends through the mounting hole in the pedal assembly. When positioning the pedal assembly make sure the linkage bar extending from the caster support is rotated outwards so that it is farther away from the saw than the pedal assembly as shown in Fig. 13b. Use an M6 lock nut from the hardware pack to secure the pedal assembly to the fixed wheel axle as shown in Fig. 13b. Fully tighten the nut using a 17 mm wrench and a 10 mm socket.

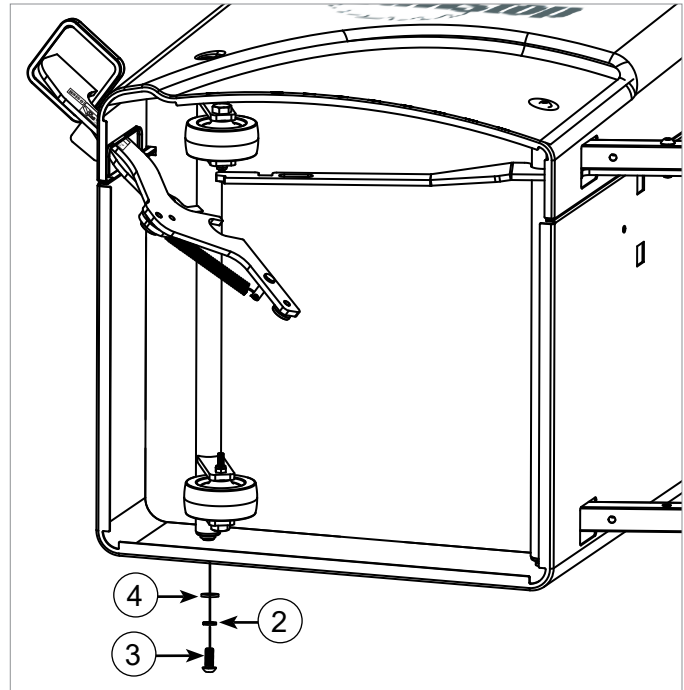


Fig. 12

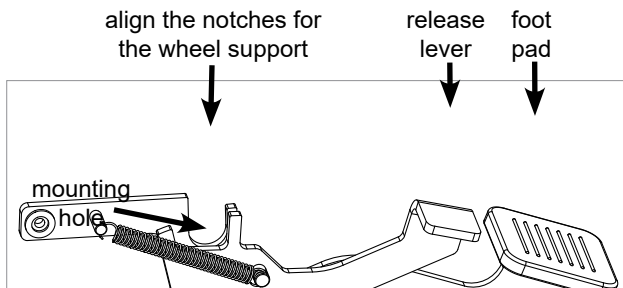


Fig. 13a

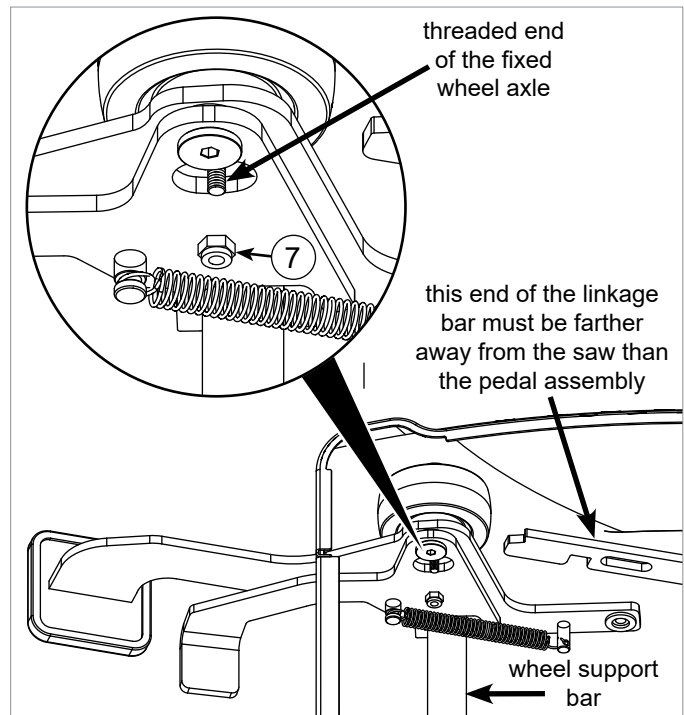


Fig. 13b

# Installing Your Mobile Base - Method 1

14. Align the front end of the wheel support with the mounting hole in the lower left corner of the front of the cabinet. Secure that end of the wheel support to the cabinet with an M8 x 20 button head shoulder socket bolt (see Fig. 14). Note that this bolt is different than the bolt used to secure the rear of the wheel support to the cabinet. Fully tighten the bolt using a 5 mm hex key.

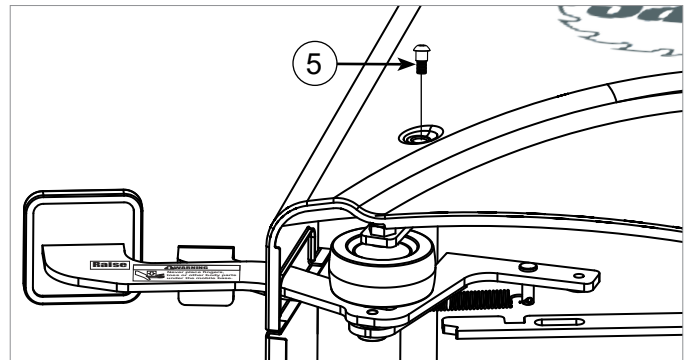


Fig. 14

15. You must now connect the pedal assembly to the linkage bar. There is a slot in the linkage bar near the pedal assembly and there is a plastic washer and threaded hole on the pedal assembly near the linkage bar. Pivot the linkage bar and the pedal assembly until the slot in the linkage bar aligns with the plastic washer and the threaded hole in the pedal assembly. Insert an M8 x 17.7 shoulder socket screw through the slot in the linkage bar and thread it into the hole in the pedal assembly (see Fig. 15). Fully tighten the screw with a 5 mm hex key.

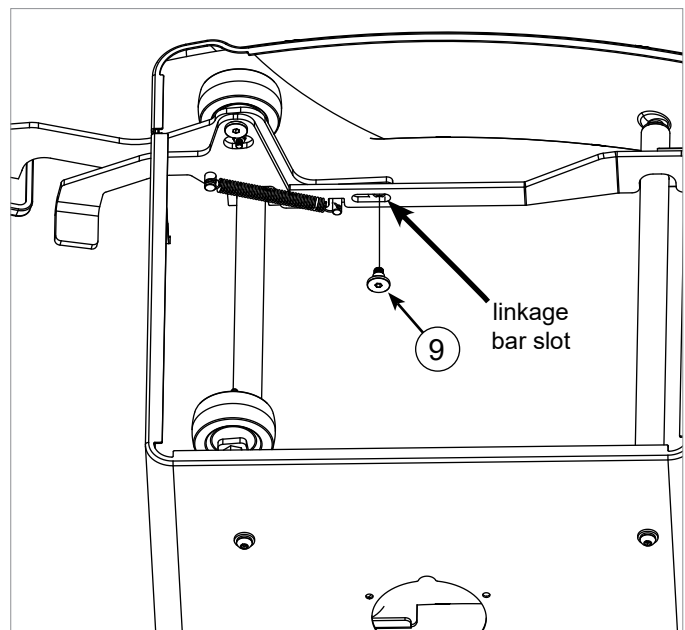


Fig. 15

16. Stand up your saw as described in step 4 on the back of the unpacking sheet that came with your saw and also in your Professional Cabinet Saw Owner's Manual. With the saw in the upright position, mount the caster extension bar to the two caster support arms that extend from the right side of the cabinet. Make sure that the warning label is facing outward. Use two M10 x 40 button head socket bolts, two M10.5 x 17 lock washers, and two M10.5 x 20 washers to mount the caster extension bar to the caster support arms (see Fig. 16). Fully tighten the bolts with a 6 mm hex key.

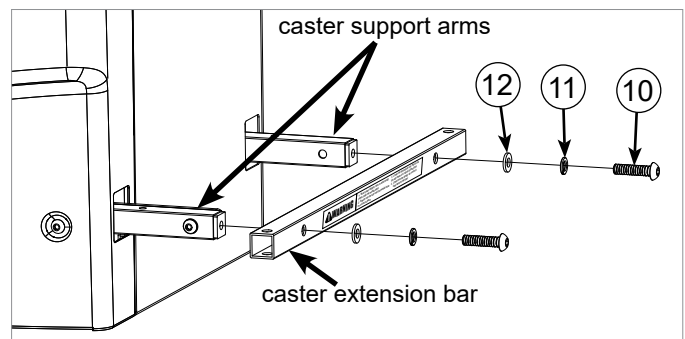


Fig. 16

# Installing Your Mobile Base - Method 1

17. Position the caster support plate on the top of the caster support arms so that the mounting holes align as shown in Fig. 17. Make sure that the SawStop logo faces up. Secure the support plate to the caster support arms with two M6 x 40 hex bolts, two M6 x 16 washers, and two M6 flange lock nuts. Fully tighten the two bolts using a 10 mm wrench and a 10 mm socket.

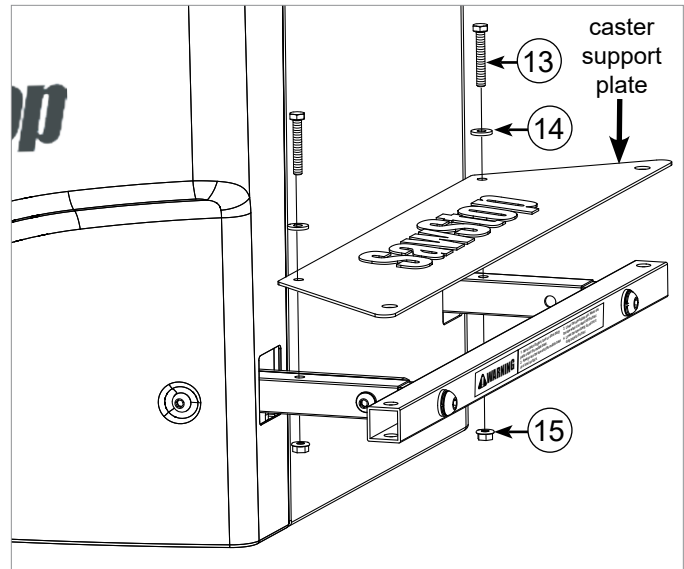


Fig. 17

18. Mount the two 3 inch casters to the outer corners of the support plate by inserting the threaded shaft on each caster up through the corresponding holes in the caster extension bar and support plate. Secure the casters in place with two M10.5 x 20 washers, two M10.5 x 17 lock washers, and two caster nuts, as shown in Fig. 18. Fully tighten the caster nuts with a 14 mm wrench.

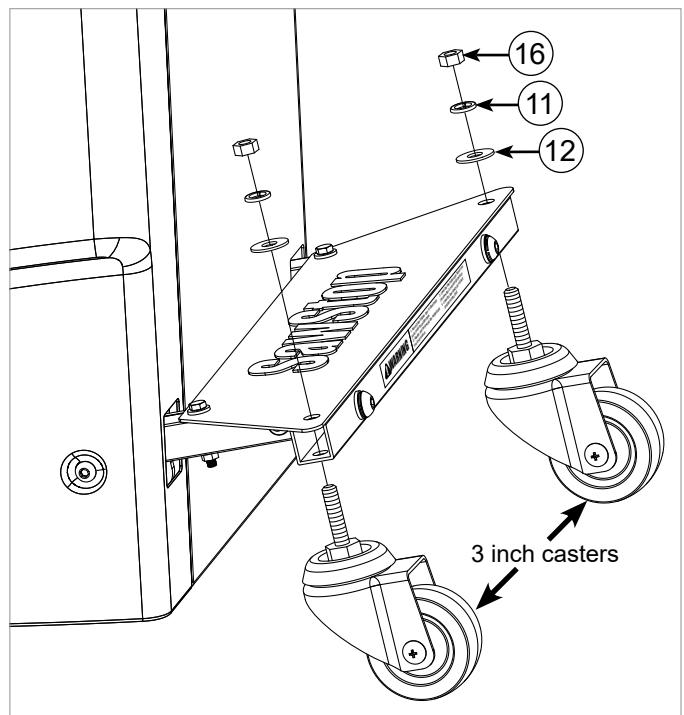


Fig. 18

**CONGRATULATIONS, your mobile base is now installed. Turn to page 19 for instructions on how to use your mobile base.**

# Installing Your Mobile Base - Method 2

**START HERE** to install your mobile base on a Professional Cabinet Saw that has a fence system installed.

1. You need access to the bottom of your saw to install the mobile base. The easiest and safest way to provide that access is to tip the saw so that it rests on the end of the front rail, as shown in Fig. 19. The saw's center of gravity makes it stable when in this position. Both the front and rear rails must be securely mounted on the saw before tipping the saw.

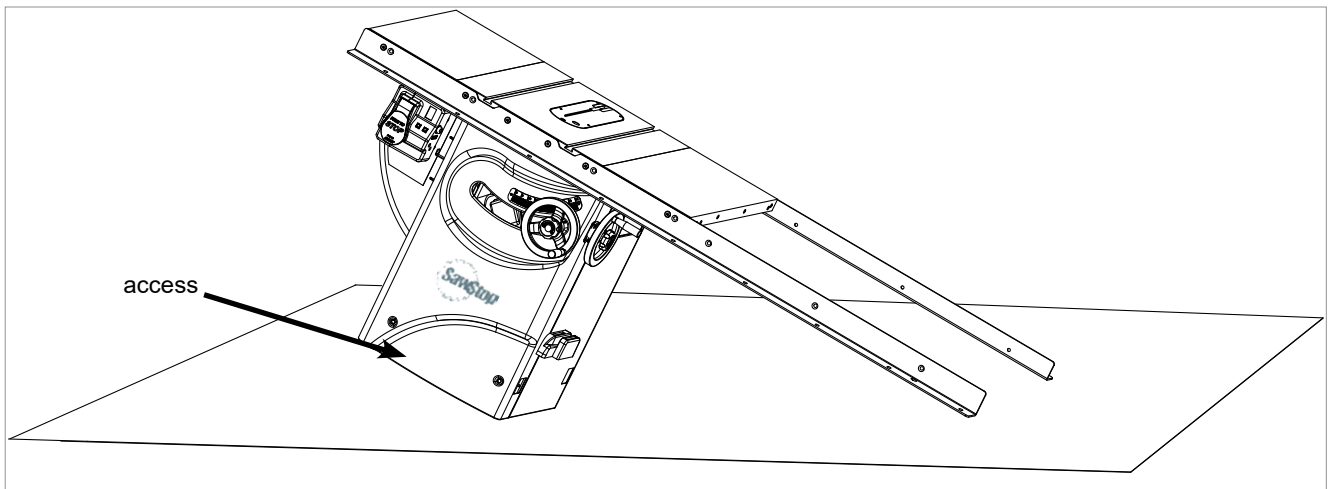


Fig. 19

If you already have an out-feed table mounted to your saw you will need to remove it before tipping the saw. Also, if you have an extension table with support legs attached to your saw, you will need to remove the support legs or rotate them out of the way. Steps 2 and 3 below describe how to rotate the support legs on a *SawStop*<sup>®</sup> T-Glide<sup>™</sup> Professional Series II extension table out of the way. If you have not installed an extension table or your extension table does not have support legs, skip to step 4.

2. Rotate the legs on a *SawStop*<sup>®</sup> T-Glide<sup>™</sup> Professional Series II extension table out of the way by removing the lower M10 x 40 hex head bolt that mounts each leg its support bracket (see Fig. 20). Use two 17 mm wrenches or adjustable wrenches to remove the bolts. Also remove the corresponding M10 washers and M10 lock nuts.

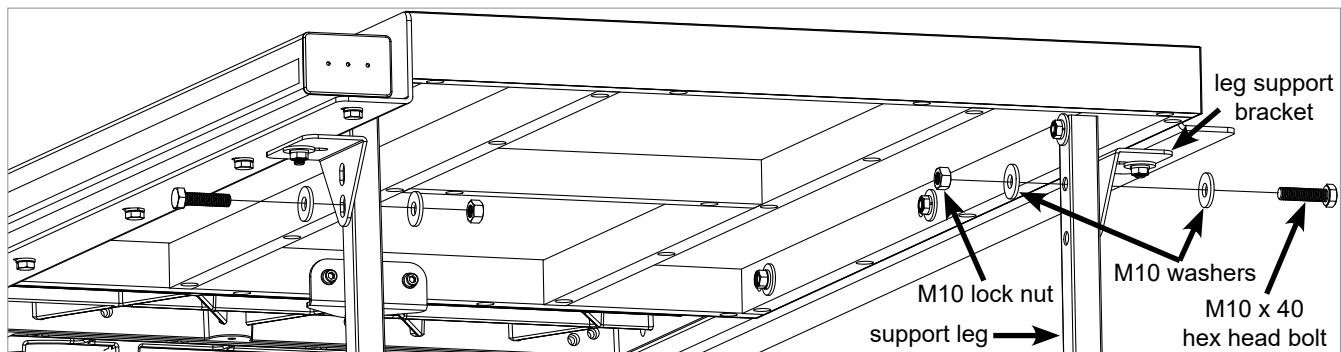


Fig. 20

# Installing Your Mobile Base - Method 2

- Loosen the M8 x 65 countersunk socket head bolt that mounts the front leg to the front rail, but do not remove the bolt or nut. Use the 5 mm short-arm hex key supplied with the mobile base to keep the bolt from turning while you loosen the nut with a 13 mm wrench (see Fig. 21). The 5 mm short-arm hex key is sized so that it can engage the head of the bolt without having to remove the front rail tube. Repeat the procedure to loosen the M8 hex nut on the back of the M8 x 65 countersunk socket head bolt that mounts the rear leg to the rear rail. Rotate the end of each support leg toward the saw so that both support legs are out of the way and the saw can be tipped onto its side.

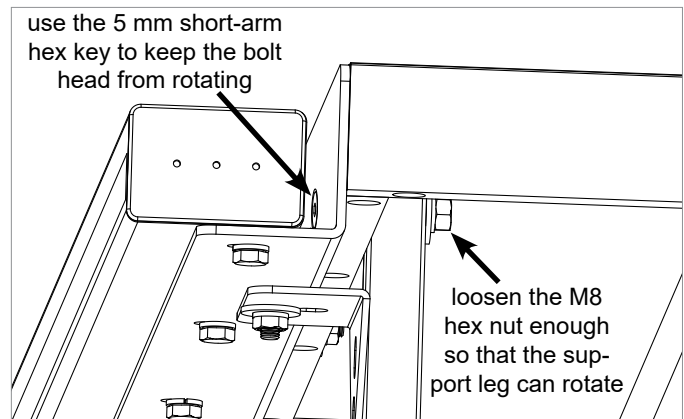


Fig. 21

- With the front and rear rails securely mounted, any out-feed table removed, and the extension table legs removed or rotated out of the way, the saw can be tipped to the side. To make the saw easier to tip, adjust the tilt handwheel until the blade is set at 45° to the table. Make sure the saw is on a level surface and then, with the help of an assistant, grip the sides of the rails near the ends and push down to gently lower the rails to the ground (see Fig. 22). Do not grip an extension table or the end of the rails to lower the saw to the tipped position because you might pinch your fingers between the extension table or rails and the ground. The rear rail is shorter than the front rail and typically will not touch the ground. To prevent scratching the rails, you can set the edge of the front rail on a piece of cardboard or cloth.

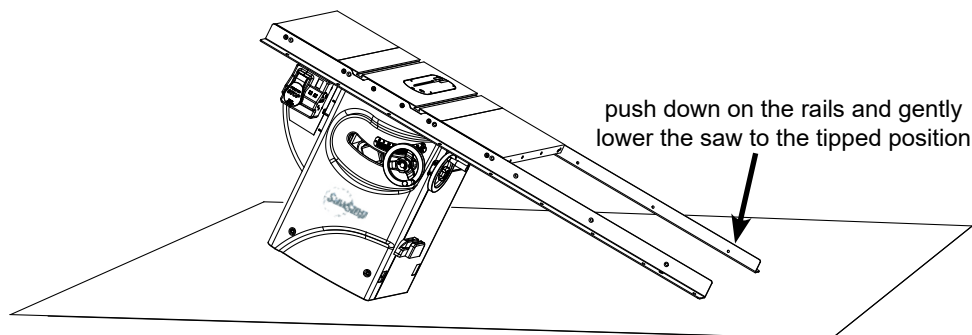


Fig. 22

- Locate all of the mobile base components shown on page 1. All of the hardware needed to install the mobile base is located on the hardware pack (see Fig. 23). In order to easily identify the hardware used in each of the following steps, the different pieces of hardware are numbered on the hardware pack and in the figures. If you are missing the hardware pack or any of the other mobile base components, call the SawStop Service Department at 503-582-9934 for replacements.

You will need the following tools to complete the mobile base installation:

- 5 mm hex key
- 6 mm hex key
- 10 mm socket
- 10 mm wrench
- 14 mm wrench
- 17 mm wrench

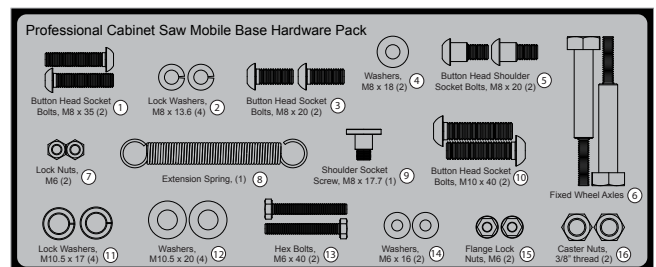


Fig. 23

# Installing Your Mobile Base - Method 2

6. Locate the caster support, the linkage bar, two M8 x 35 button head socket bolts, and two M8 x 13.6 lock washers. Note that one end of the caster support has a mounting shoulder and the other end does not (see Fig. 24a). Mount the linkage bar to the inside of the caster support arm nearest the end without the mounting shoulder as shown in Fig. 24b. Use the button head sockets bolts, lock washers, and a 5 mm hex key to mount the linkage bar to the caster support arm. Make sure the linkage bar is positioned as shown in Fig. 24b with the caster support in the notch on the linkage bar.

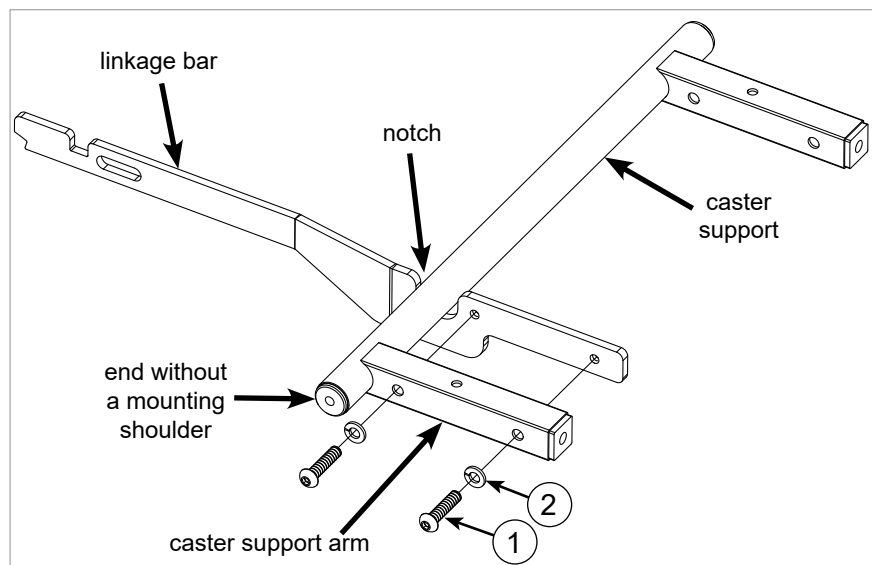
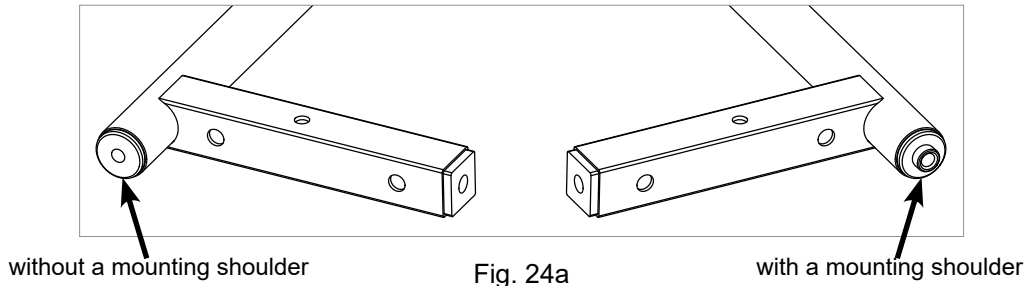


Fig. 24b

7. With the saw tipped, place the ends of the two caster support arms through the two holes in the inside right face of the saw, as shown in Fig. 25. Make sure that the caster support is oriented so that the linkage bar is next to the front of the cabinet.

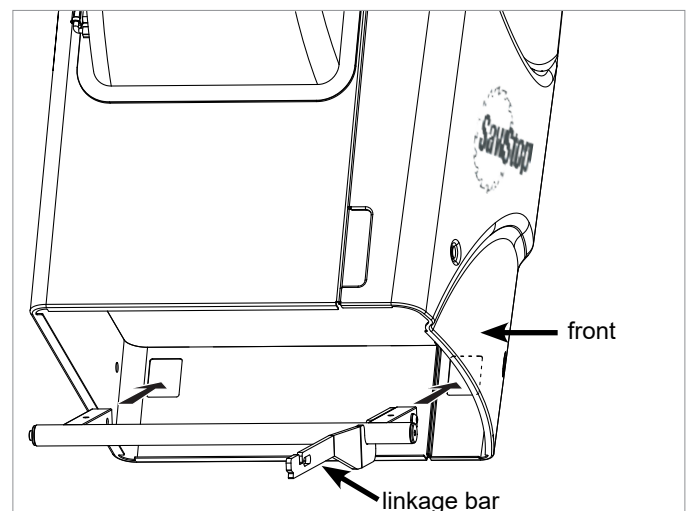


Fig. 25

# Installing Your Mobile Base - Method 2

8. The end of the caster support next to the back of the saw is the end with the mounting shoulder. Insert the mounting shoulder through the mounting hole in the rear of the cabinet and secure that end of the caster support to the cabinet with one M8 x 20 button head socket bolt, one M8 x 13.6 lock washer, and one M8 x 18 washer (see Fig. 26). Fully tighten the bolt using a 5 mm hex key.

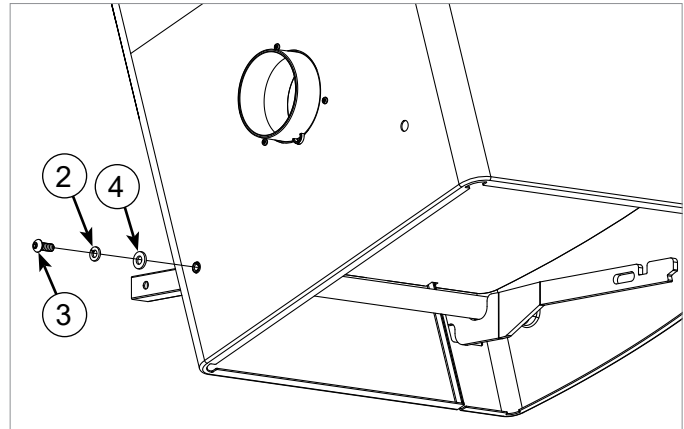


Fig. 26

9. Align the front end of the caster support with the mounting hole in the lower right corner of the front of the cabinet and secure that end of the caster support to the cabinet with an M8 x 20 button head shoulder socket bolt (see Fig. 27). Note that this bolt is different than the bolt used to secure the rear of the caster support to the cabinet. Fully tighten the bolt using a 5 mm hex key.

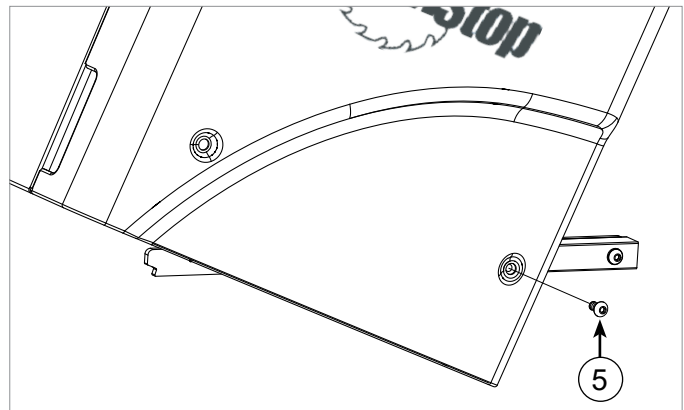


Fig. 27

10. Locate the wheel support and the two 3 inch wheels. Note that one end of the wheel support has a mounting shoulder and the other end does not. Mount one of the 3 inch wheels between the two support arms nearest the end of the wheel support that has the mounting shoulder using a fixed wheel axle and an M6 lock nut from the hardware pack (see Fig. 28). The fixed wheel axle passes through the outer support arm and threads through the inner support arm. Fully tighten the nut using a 17 mm wrench and a 10 mm wrench.

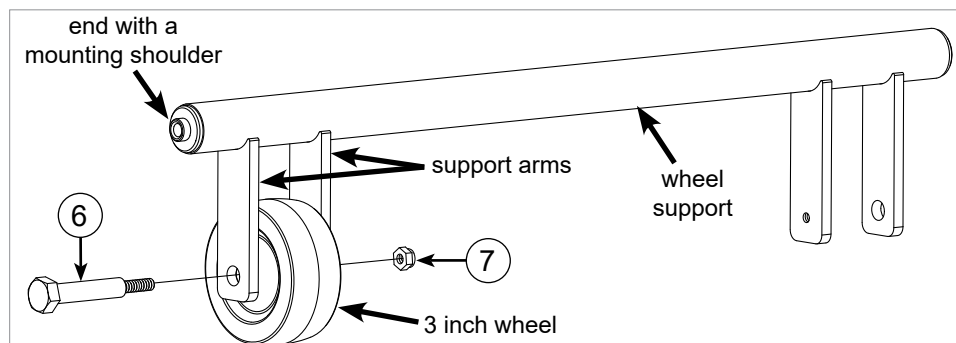


Fig. 28

# Installing Your Mobile Base - Method 2

11. Mount the second 3 inch wheel to the other end of the wheel support using the other fixed wheel axle, but do not thread a nut onto the axle (see Fig. 29). The fixed wheel axle passes through the outer support arm and threads through the inner support arm. Set the wheel support aside for a moment.

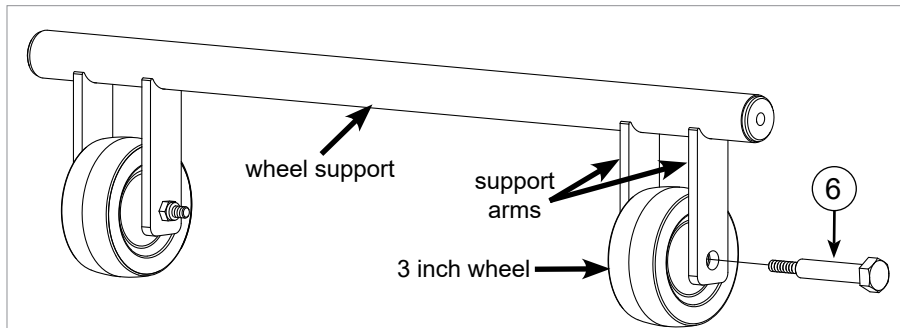


Fig. 29

12. Locate the pedal assembly and insert it into the hole in the left side of the cabinet as shown in Fig. 30. Insert the pedal assembly as far as possible and make sure that the foot pad is facing up.

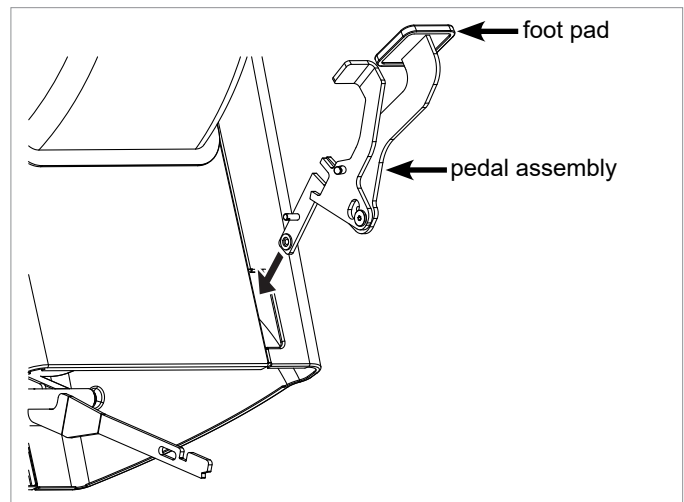


Fig. 30

13. Remove the extension spring from the hardware pack and attach one end of the spring to the small pin in the pedal assembly by sliding one end of the spring through the hole in the small pin. Stretch the other end of the spring over the large pin in the pedal assembly (see Fig. 31). There is a circular groove on the large pin to hold the spring in place.

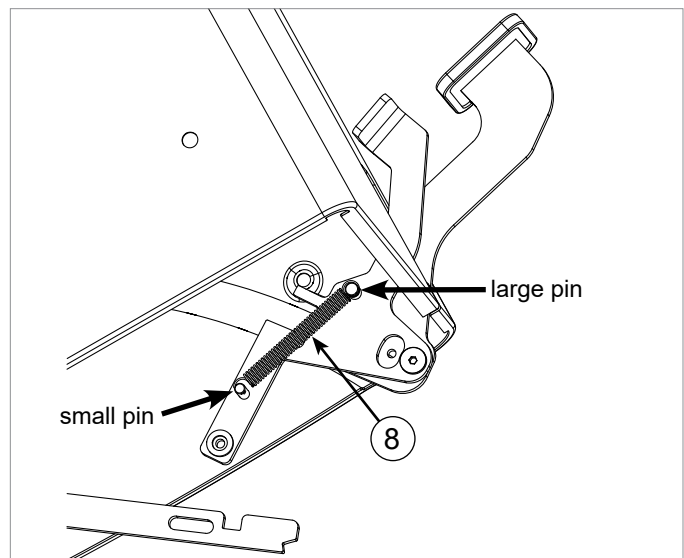


Fig. 31



# **Installing Your Mobile Base - Method 2**

14. Take the wheel support and place it inside the cabinet and above the pedal assembly, as shown in Fig. 32a. Make sure that the end of the wheel assembly with the mounting shoulder is at the rear of the cabinet. It might be a little awkward to position the wheel support above the pedal assembly, but the pedal assembly is loose and can move to allow you to position the wheel support above the pedal assembly. When the wheel support is correctly positioned the pedal assembly will be between the two wheels (see Fig. 32b). The pedal assembly must be inserted through the hole in the cabinet before the wheel support is placed inside the cabinet, otherwise the wheel support will block the pedal assembly.

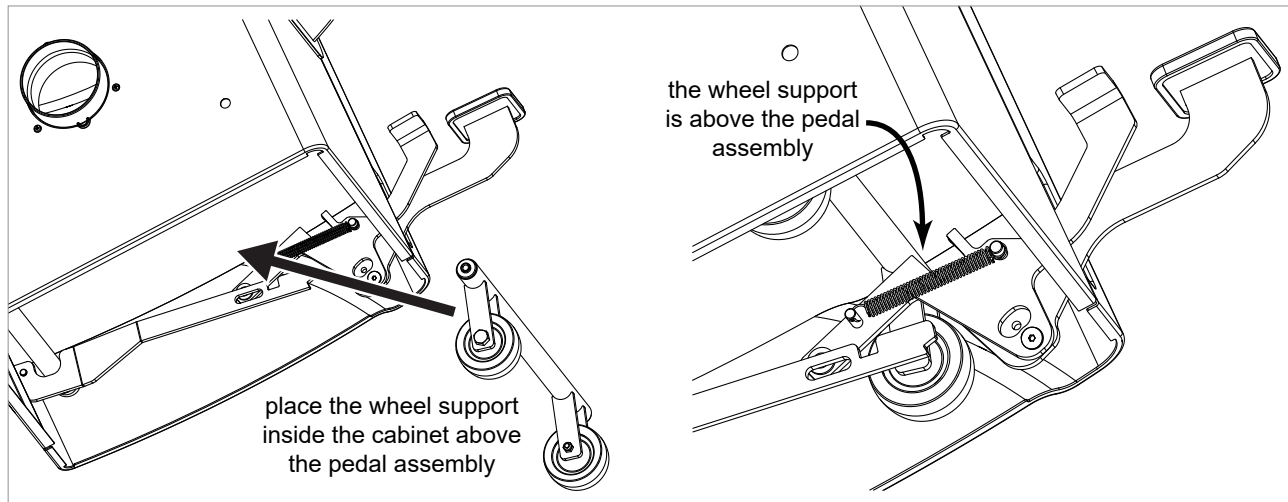


Fig. 32a

Fig. 32b

15. Insert the mounting shoulder on the rear end of the wheel assembly through the mounting hole on the rear of the cabinet and secure that end to the cabinet with one M8 x 20 button head socket bolt, one M8 x 13.6 lock washer, and one M8 x 18 washer (see Fig. 33). Fully tighten the bolt using a 5 mm hex key.

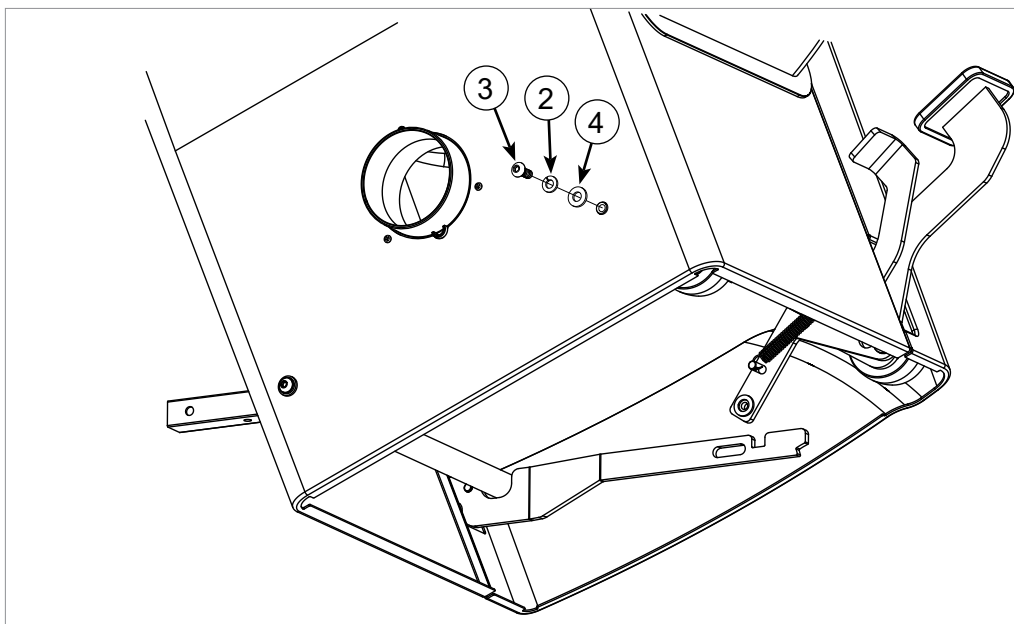


Fig. 33

## Installing Your Mobile Base - Method 2

16. You must now position the pedal assembly so that it fits against the wheel support. The pedal assembly includes notches shaped to fit over the wheel support bar, and a mounting hole shaped to fit over the threaded end of the fixed wheel axle (see Fig. 34b). Squeeze the foot pad and the release lever together until the notches for the wheel support align as shown in Fig. 34a. With the slots aligned, position the pedal assembly so that the wheel support bar fits in the notches and so that the threaded end of the fixed wheel axle extends through the mounting hole in the pedal assembly. When positioning the pedal assembly make sure the linkage bar extending from the caster support is below the pedal assembly. Use an M6 lock nut from the hardware pack to secure the pedal assembly to the fixed wheel axle as shown in Fig. 34b. Fully tighten the nut using a 17 mm wrench and a 10 mm socket.

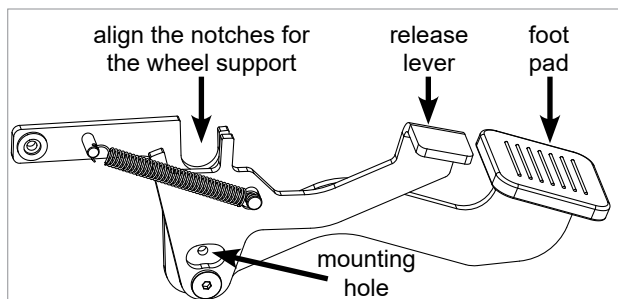


Fig. 34a

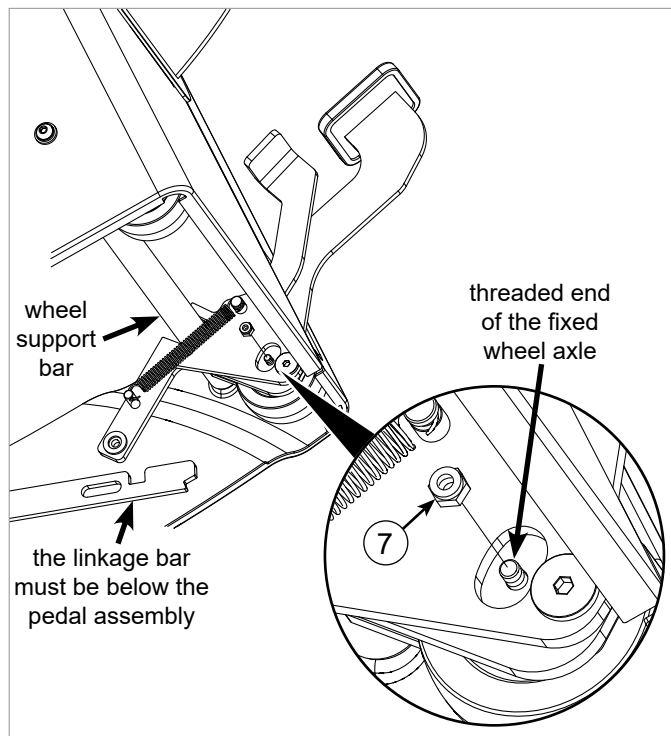


Fig. 34b

17. Align the front end of the wheel support with the mounting hole in the lower left corner of the front of the cabinet. Secure that end of the wheel support to the cabinet with an M8 x 20 button head shoulder socket bolt (see Fig. 35). Note that this bolt is different than the bolt used to secure the rear of the wheel support to the cabinet. Fully tighten the bolt using a 5 mm hex key.

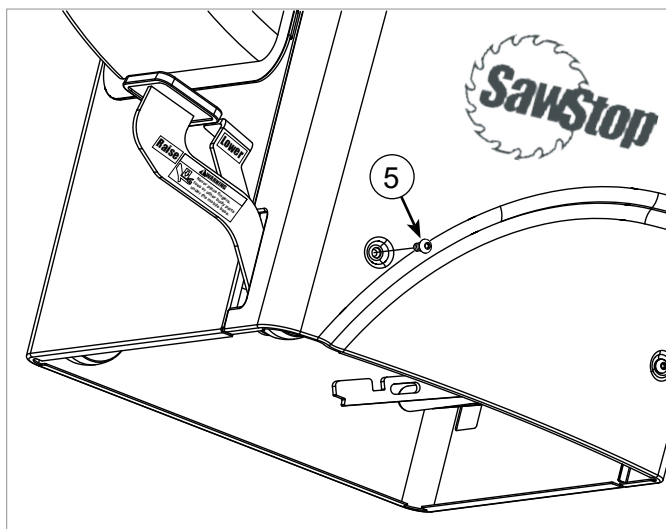


Fig. 35

# Installing Your Mobile Base - Method 2

18. You must now connect the pedal assembly to the linkage bar. There is a slot in the linkage bar near the pedal assembly and there is a plastic washer and threaded hole on the pedal assembly near the linkage bar. Pivot the linkage bar and the pedal assembly until the slot in the linkage bar aligns with the plastic washer and the threaded hole in the pedal assembly. Insert an M8 x 17.7 shoulder socket screw through the slot in the linkage bar and thread it into the hole in the pedal assembly (see Fig. 36). Fully tighten the screw with a 5 mm hex key.

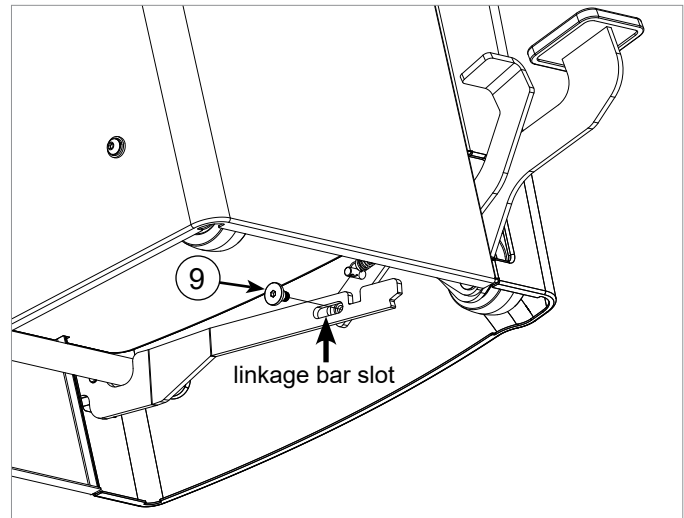


Fig. 36

19. You have now installed all the interior components of the mobile base, so lift the end of the rails and gently bring the saw back to the upright position, as shown in Fig. 37. Be careful not to let the cabinet fall back to the floor rapidly.

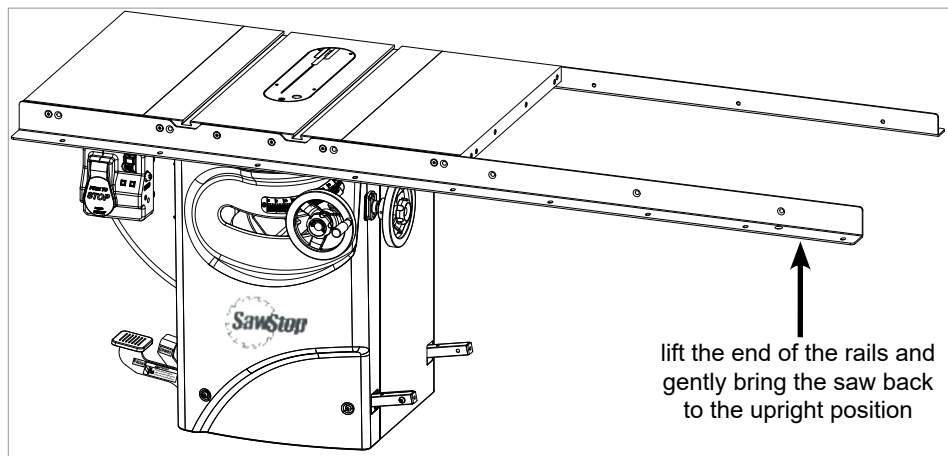


Fig. 37

20. With the saw in the upright position, mount the caster extension bar to the two caster support arms that extend from the right side of the cabinet. Make sure that the warning label is facing outward. Use two M10 x 40 button head socket bolts, two M10.5 x 17 lock washers, and two M10.5 x 20 washers to mount the caster extension bar to the caster support arms (see Fig. 38). Fully tighten the bolts with a 6 mm hex key.

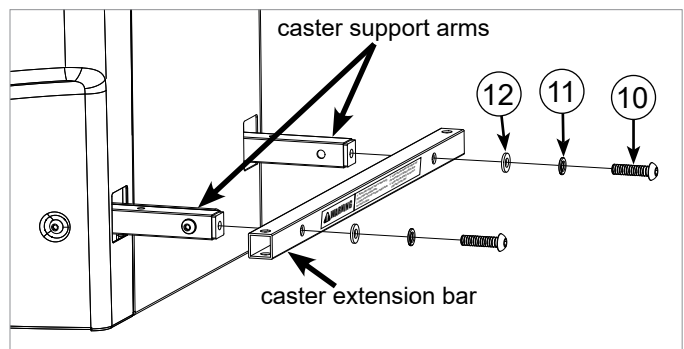


Fig. 38

# Installing Your Mobile Base - Method 2

21. Position the caster support plate on the top of the caster support arms so that the mounting holes align as shown in Fig. 39. Make sure that the SawStop logo faces up. Secure the support plate to the caster support arms with two M6 x 40 hex bolts, two M6 x 16 washers, and two M6 flange lock nuts. Fully tighten the two bolts using a 10 mm wrench and a 10 mm socket.

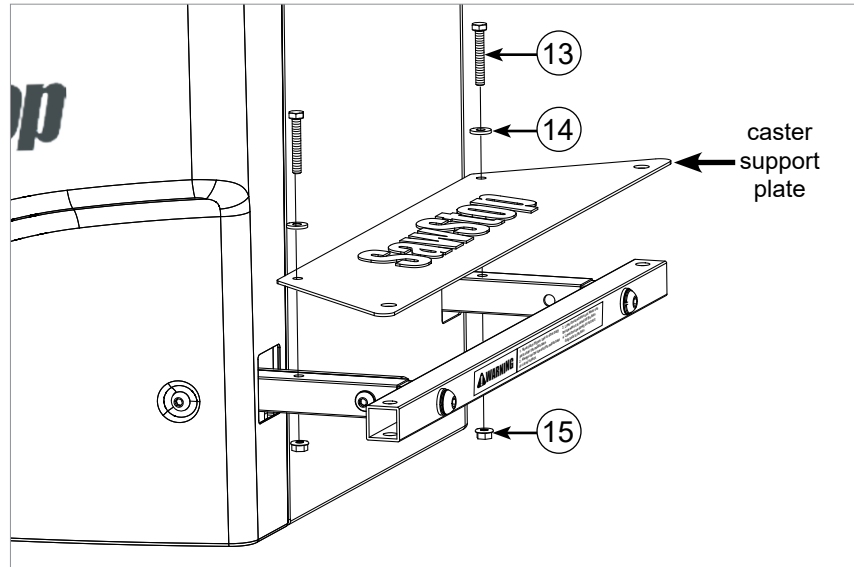


Fig. 39

22. Mount the two 3 inch casters to the outer corners of the support plate by inserting the threaded shaft on each caster up through the corresponding holes in the caster extension bar and support plate. Secure the casters in place with two M10.5 x 20 washers, two M10.5 x 17 lock washers, and two caster nuts, as shown in Fig. 40. Fully tighten the caster nuts with a 14 mm wrench.

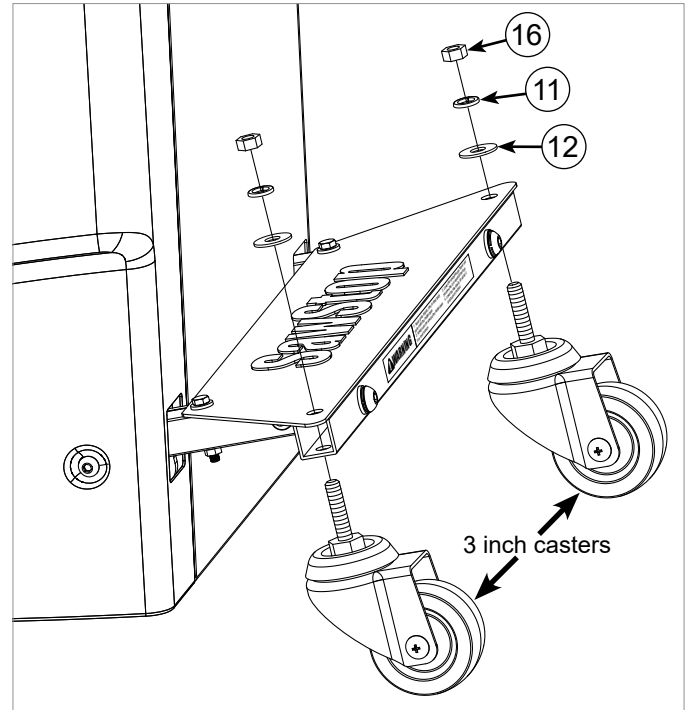


Fig. 40

**CONGRATULATIONS, your mobile base is now installed. You should now re-install any extension or out-feed tables and a fence system.**

# Using Your Mobile Base

1. Using your mobile base is simple and intuitive. Simply step down on the large foot pedal to raise the saw off the floor and onto the wheels (see Fig. 41). Continue pressing down on the foot pedal until you hear the mobile base lock in the raised position. Make sure that your foot does not contact the smaller release lever while you are pressing down on the foot pedal, otherwise the mobile base will not stay in the raised position.

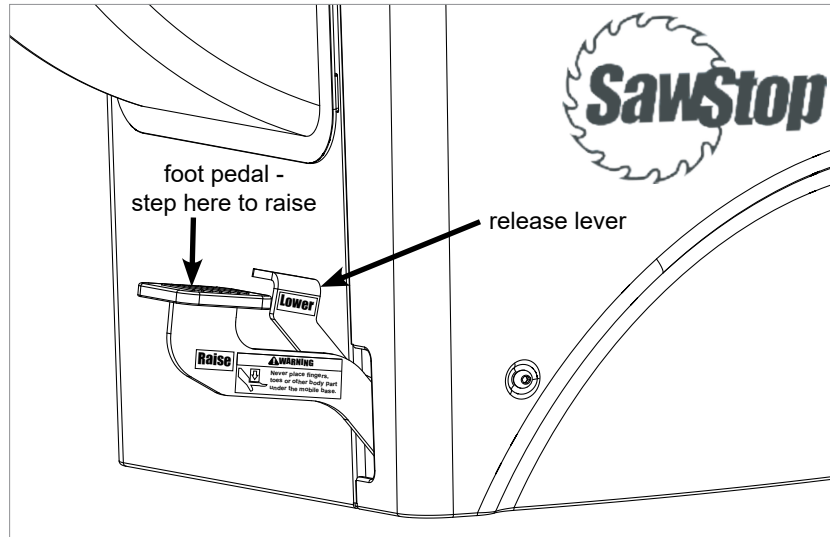


Fig. 41

2. With the saw in the raised position you can move it as desired. The mobile base has two wheels on the left side and two casters on the right side, so it may be easier to maneuver the saw by pushing from the right side.

**Note:** The mobile base has been designed to lift saws with or without extension tables. You do not need an additional arm extending out from the mobile base to support your extension table. However, if you have an out-feed table attached to your saw you must remove it before using the mobile base to move your saw.

3. To lower the saw back to the floor, step down on both the foot pedal and the release lever simultaneously (see Fig. 42). Slowly lift your foot upwards to allow the saw to gently lower to the floor. Do not step on the release lever without having your foot on the foot pedal or your saw will lower to the floor rapidly.

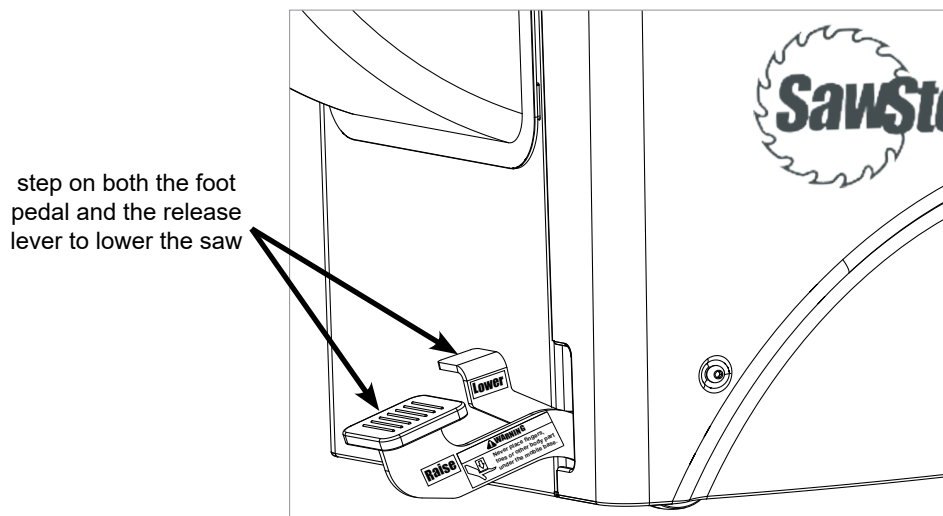
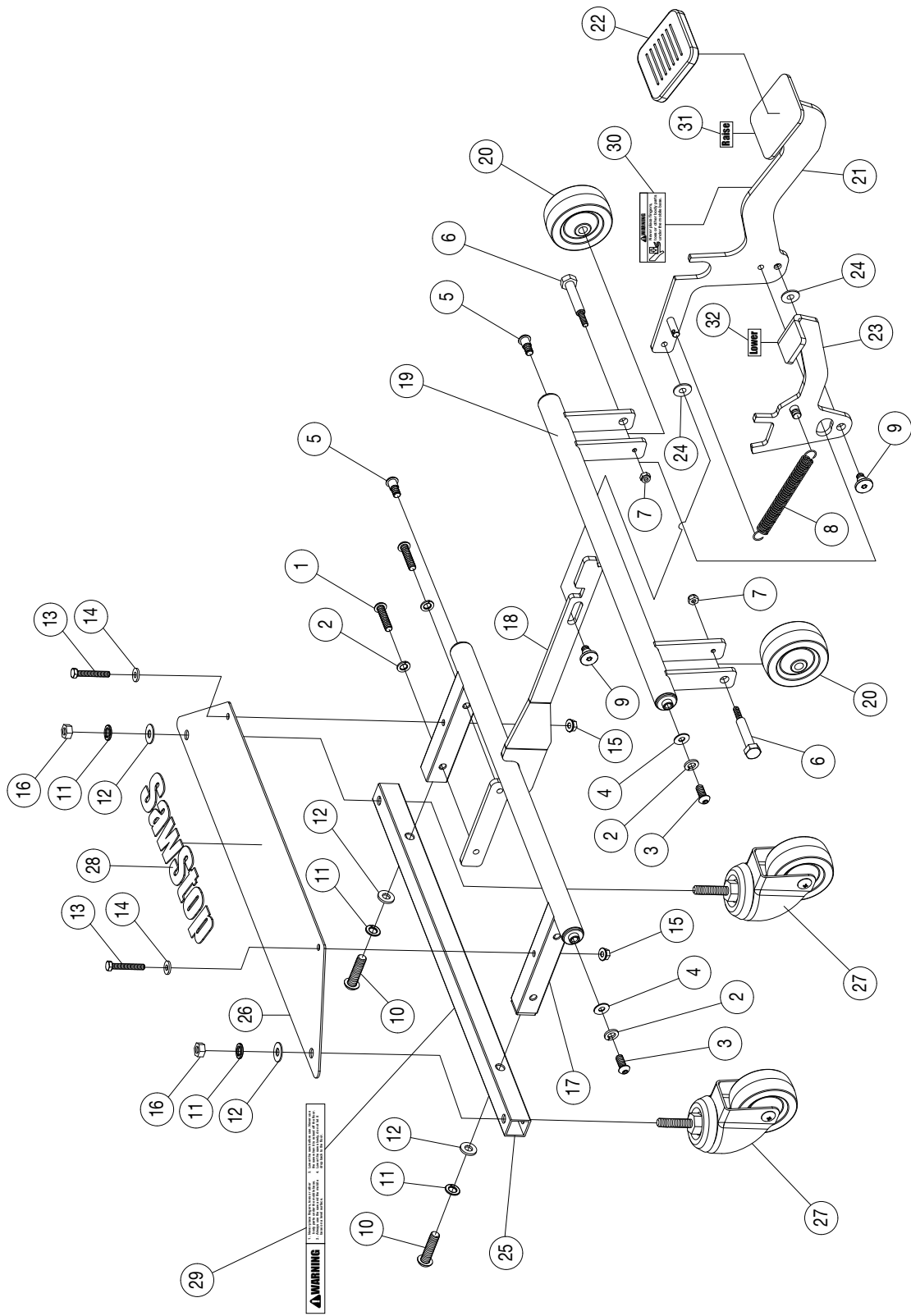


Fig. 42

# Professional Cabinet Saw Mobile Base Exploded View



## **Professional Cabinet Saw Mobile Base Parts List**

No.	Description	Part No.	Qty.
	Complete Mobile Base Assembly	MB-PCS-000	1
1	M8x35 Button Head Socket Bolt	MB-PCS-001	2
2	M8x13.6 Lock Washer	MB-PCS-002	4
3	M8x20 Button Head Socket Bolt	MB-PCS-003	2
4	M8x18 Washer	MB-PCS-004	2
5	M8x20 Button Head Shoulder Socket Bolt	MB-PCS-005	2
6	M6x72 Fixed Wheel Axle	MB-PCS-006	2
7	M6 Lock Nut	MB-PCS-007	2
8	Extension Spring	MB-PCS-008	1
9	M8x17.7 Shoulder Socket Screw	MB-PCS-009	2
10	M10x40 Button Head Socket Bolt	MB-PCS-010	2
11	M10.5x17 Lock Washer	MB-PCS-011	4
12	M10.5x20 Washer	MB-PCS-012	4
13	M6x40 Hex Bolt	MB-PCS-013	2
14	M6x16 Washer	MB-PCS-014	2
15	M6 Flange Lock Nut	MB-PCS-015	2
16	Caster Nut (3/8" thread)	MB-PCS-016	2
17	Caster Support	MB-PCS-017	1
18	Linkage Bar	MB-PCS-018	1
19	Wheel Support	MB-PCS-019	1
20	3" Wheel	MB-PCS-020	2
21	Foot Pedal	MB-PCS-021	1
22	Foot Pad	MB-PCS-022	1
23	Release Lever	MB-PCS-023	1
24	Plastic Spacer (Adhesive Backed)	MB-PCS-024	2
25	Caster Extension Tube	MB-PCS-025	1
26	Caster Support Plate	MB-PCS-026	1
27	3" Caster	MB-PCS-027	2
28	SawStop Logo Label	MB-PCS-028	1
29	Main Warning Label	MB-PCS-029	1
30	Finger/Toe Warning Label	MB-PCS-030	1
31	Raise Label	MB-PCS-031	1
32	Lower Label	MB-PCS-032	1
N/A	Owner's Manual	MB-PCS-033	1
N/A	Hardware Pack	MB-PCS-034	1

SawStop, LLC  
9564 S.W. Tualatin Road  
Tualatin, Oregon 97062  
[www.sawstop.com](http://www.sawstop.com)

Main Phone - (503) 570-3200  
Service - (503) 582-9934  
Fax - (503) 570-3303  
Email: [info@sawstop.com](mailto:info@sawstop.com)

Updates of this manual may be available at [www.sawstop.com](http://www.sawstop.com).

© SawStop, LLC  
All Rights Reserved.

M PCS 18 0011 00  
January 2010