



FOLDING OUTFEED TABLE

OWNER'S MANUAL

MODEL TSA-FOT



Copyright SawStop, LLC
All Rights Reserved

6th printing, October 2019

Updates of this manual may be
available at www.sawstop.com

The saw shown on the front cover is the Industrial Cabinet Saw, Model ICS with
Industrial Mobile Base and Overarm Dust Collection.
Your saw may look different.

SawStop, the SawStop blade logo, and the configuration of this product are either
registered trademarks or trademarks of SawStop, LLC. Software copyright by
SawStop, LLC. All rights reserved.

TO OUR CUSTOMERS

Thank you for purchasing the SawStop Folding Outfeed Table. We are confident you will be pleased with its quality and performance.

This manual tells you more about your Folding Outfeed Table and how to operate and maintain it. Please read the manual carefully. The manual also includes our warranty and important safety information.

If you ever have any questions or comments, feel free to contact us at the address below.

SawStop, LLC
11555 SW Myslony Street | Tualatin, Oregon 97062 USA
Phone: (503) 570-3200
Fax: (503) 570-3303
Email: info@sawstop.com
www.sawstop.com

HOW TO GET HELP

Missing Parts? Have Questions?

Our technical support team is standing by
M-F, 6:30am-5pm PST
to help with whatever you need.



Give us a call at
503.582.9934



Email us at
SERVICE@SAWSTOP.COM



TABLE OF CONTENTS

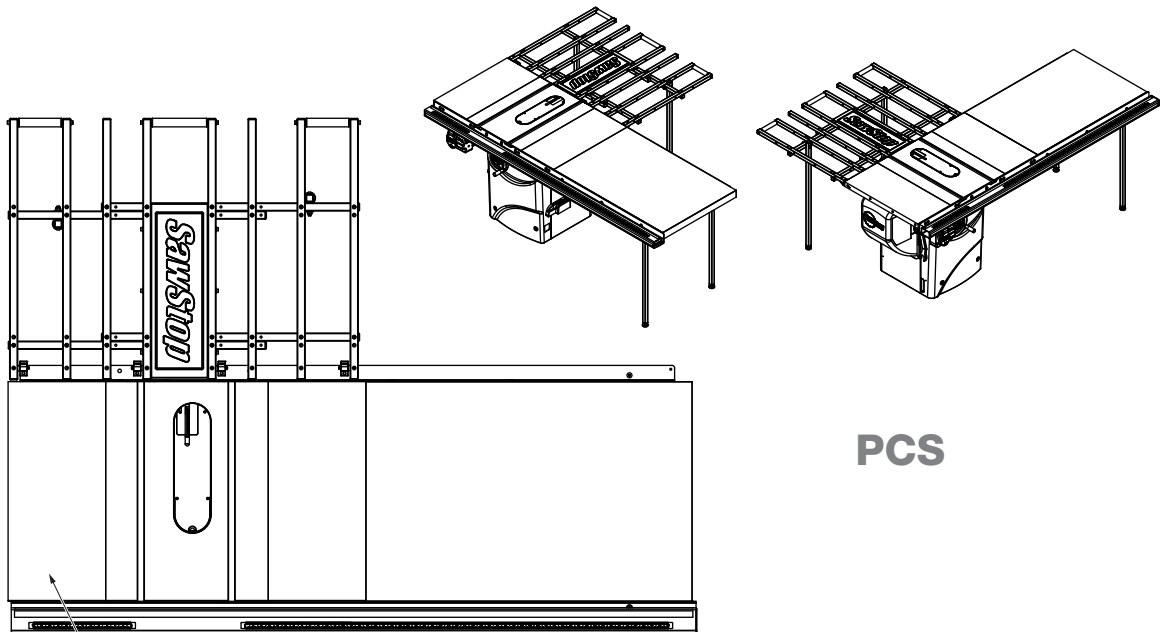
Product Specs.....	1
Parts Inventory.....	3
Parts & Hardware Lists.....	3
Tools Needed.....	4
Before You Begin.....	5
Installing WITH the Extension Wing.....	7
Installing WITHOUT the Extension Wing.....	29
Installing on a 36” Saw with Overarm Dust Collection.....	50
Positioning the Outfeed Table in the Folded Position.....	52
Reference.....	53
Warranty.....	53
Safety.....	54
Warnings.....	54
Exploded View.....	57
Parts List.....	58
Replacement Roller Kits.....	59

The SawStop Folding Outfeed Table can be mounted to your SawStop saw with or without the left extension wing, depending on your needs.

The SawStop Folding Outfeed Table is compatible with the SawStop Sliding Crosscut Tables (TSA-SA48 and TSA-SA70).

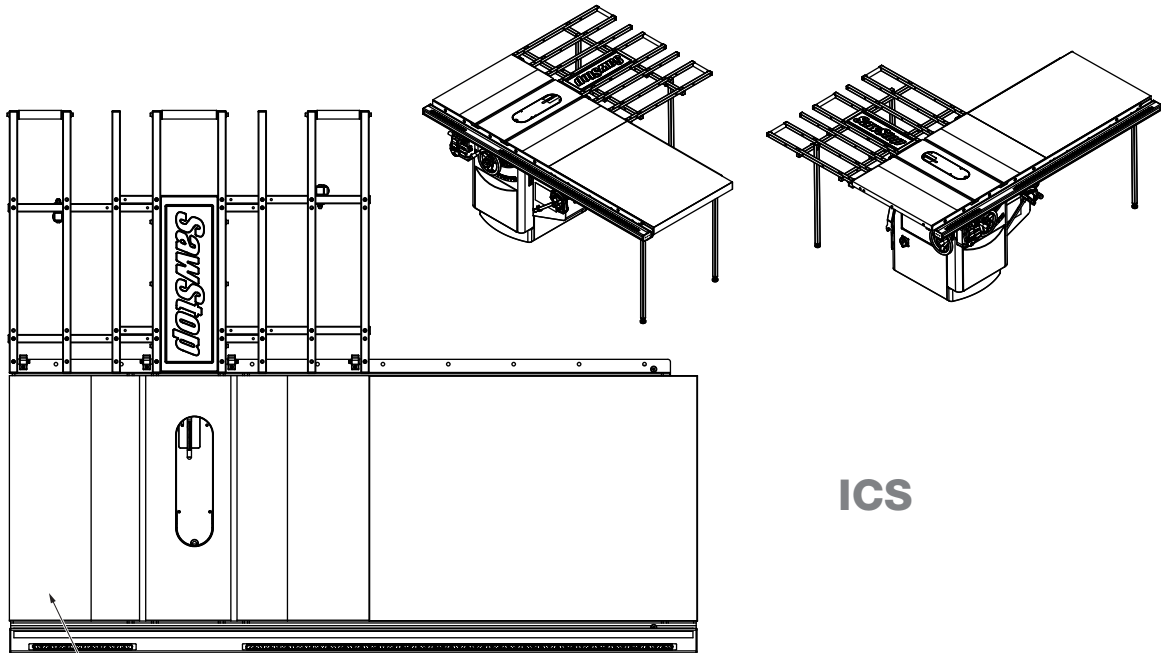
Product Specifications	
Outfeed Table	44 1/4" x 32 1/8" Professional Cabinet Saw T-Glide Professional 2 (PCS TGP2), Premium Fence Assembly (PFA), T-Glide Industrial (CBFR), T-Glide Industrial 2 (TGI2)
	31 3/4" x 32 1/8" T-Glide Professional 2 (TGP2), Premium Fence Assembly (PFA), T-Glide Industrial (CBFR), or T-Glide Industrial 2 (TGI2) without wing
Net Weight	37 lbs
Weight Capacity	250 lbs

Saw and Rails Compatibility	
Industrial Cabinet Saw (ICS)	T-Glide Industrial (CBFR)
	T-Glide Industrial 2 (TGI2)
Professional Cabinet Saw (PCS)	T-Glide Professional 2 (TGP, TGP2)
	Premium Fence Assembly (PFA)



PCS

Left extension wing



ICS

Left extension wing

Fig. 1

Parts and Hardware Lists

Before you begin installing the Folding Outfeed Table, locate the Folding Outfeed Table Hardware Packs and the rear rail and miter slots on your table saw. All of the hardware needed to install the Folding Outfeed Table is located in the Hardware Packs and is shipped in the Folding Outfeed Table box. Please unpack the parts carefully and confirm you have received each item on the list (see Fig. 2).

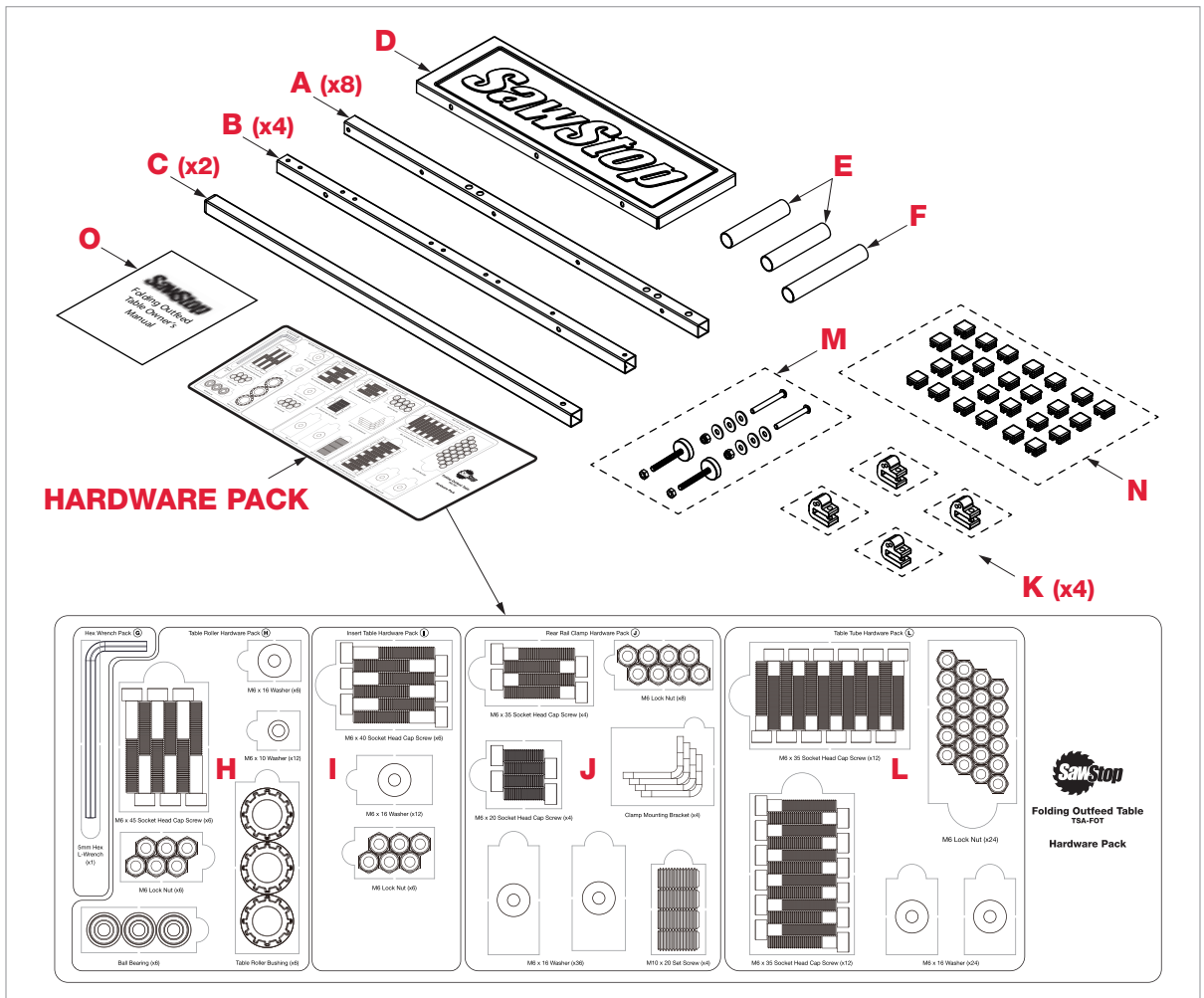


Fig. 2

- A.** Table Tube (8)
- B.** Table Support Tube (4)
- C.** Support Leg (2)
- D.** Insert Table (1)
- E.** Small Table Roller (2)
- F.** Large Table Roller (1)
- G.** Hex Wrench Pack:
 - 5mm Hex L-Wrench (1)
- H.** Table Roller Hardware Pack:
 - M6 x 45 Socket Head Cap Screw (6)
 - M6 x 10 Washer (12)
 - Ball Bearing (6)
 - Table Roller Bushing (6)
 - M6 x 16 Washer (6)
 - M6 Lock Nut (6)
- I.** Insert Table Hardware Pack:
 - M6 x 40 Socket Head Cap Screw (6)
 - M6 x 16 Washer (12)
 - M6 Lock Nut (6)
- J.** Rear Rail Clamp Hardware Pack:
 - M6 x 20 Socket Head Cap Screw (4)
 - M6 x 35 Socket Head Cap Screw (4)
 - M10 x 20 Set Screw (4)
 - M6 x 16 Washer (36)
 - M6 Lock Nut (8)
 - Clamp Mounting Bracket (4)
- K.** Rear Rail Clamp Pack (4):
 - Rear Rail Clamp (1)
- L.** Table Tube Hardware Pack:
 - M6 x 35 Socket Head Cap Screw (24)
 - M6 x 16 Washer (24)
 - M6 Lock Nut (24)
- M.** Support Leg Hardware Pack (1):
 - M8 x 70 Button Head Socket Screw (2)
 - M8 x 20 Washer (6)
 - M8 x 9 Lock Nut (2)
 - M8 Hex Nut (2)
 - Leveling Foot (2)
- N.** Tube End Cap Pack (1):
 - Tube End Cap (26)
- O.** Manual (1)

Tools Needed

- 10mm Wrench
- 13mm Wrench
- Level or Straightedge



The drawings show how to assemble the Folding Outfeed Table for the SawStop T-Glide Fence System – Industrial Series (CBFR and TGI2), but the assembly instructions for the SawStop T-Glide Fence System - Professional Series (TGP2) and SawStop Premium Fence Assembly (PFA) are similar, and any differences are explained.



The rear rail on your saw must be fully installed before installing the Folding Outfeed Table.

The instructions for installing the Folding Outfeed Table are slightly different for a SawStop Industrial Cabinet Saw (with CBFR or TGI2 rails), a SawStop Professional Cabinet Saw (with TGP or TGP2 rails), and a SawStop Professional Cabinet Saw (with PFA rails).

The icons below refer to the two different models of SawStop table saws compatible with the Folding Outfeed Table: Industrial Cabinet Saws and Professional Cabinet Saws. If an installation step includes one or more of these icons, the step should only be performed if you are mounting the Folding Outfeed Table to that model of saw. If an installation step does not include an icon, the step should be performed for all models of saw.



WITH WING

If installing the Folding Outfeed Table **WITH** the left extension wing, proceed to page 7.

WITHOUT WING

If installing the Folding Outfeed Table **WITHOUT** the left extension wing, proceed to page 29.

WITH WING

The first step in assembling the Folding Outfeed Table is to assemble the three table rollers (**E** and **F**) (see inventory in **Fig. 2 on page 3**) and attach two table tubes (**A**) to each table roller. There are five holes in the top and bottom surface of each table tube: one solitary hole and two sets of two holes paired together, and the end with the solitary holes goes near the table saw. The sets of paired holes are used to mount the table tubes (**A**) to the table support tubes (**B**), and the solitary holes are used to attach the rear rail clamps (**K**) (see **Fig. 3**).

The table support tube mounting holes and clamp mounting holes on the top surfaces of each table tube are larger than the corresponding holes on the bottom surfaces of the table tubes. This allows socket head cap screws to be inserted to secure the table tubes to the table support tubes. Not all of the paired holes are used to mount the table tubes to the table support tubes; different holes are used for different configurations.

There are five solitary holes in both sides of each table tube: the ones furthest from the clamp mounting holes are used to attach a table roller to the table tube, and are not used in every table tube.

The rear three holes on each side of the table tubes are used for mounting the insert table.

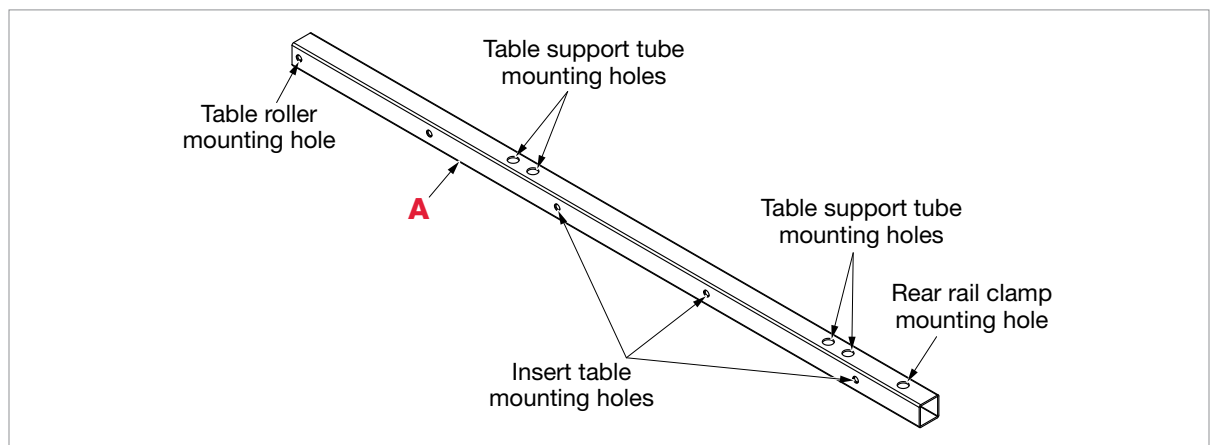


Fig. 3

WITH WING

REQUIRES: Table Roller Hardware Pack
Insert Table Hardware Pack

5mm Hex L-Wrench (1)
10mm Wrench (1)

1 Begin by placing two table tubes (**A**) on a flat surface, such as a table, with the five larger table support tube mounting holes on the **bottom**, and the roller mounting holes on the sides.

Insert an M6 x 45 socket head cap screw through an M6 x 16 washer, then through the roller mounting holes in one of the table tubes (with the head of the socket head cap screw on the side facing away from the other table tube), then through two M6 x 10 washers, a ball bearing, and an M6 lock nut. Use a 5mm hex L-wrench and a 10mm wrench to tighten the lock nut.

Repeat this process for the other table tube. You should now have two table tubes with the larger table support tube mounting holes on the bottom, the heads of the screws facing away from each other, and the ball bearings between the table tubes (see Fig. 4 or the exploded view in Fig. 56 on page 57).

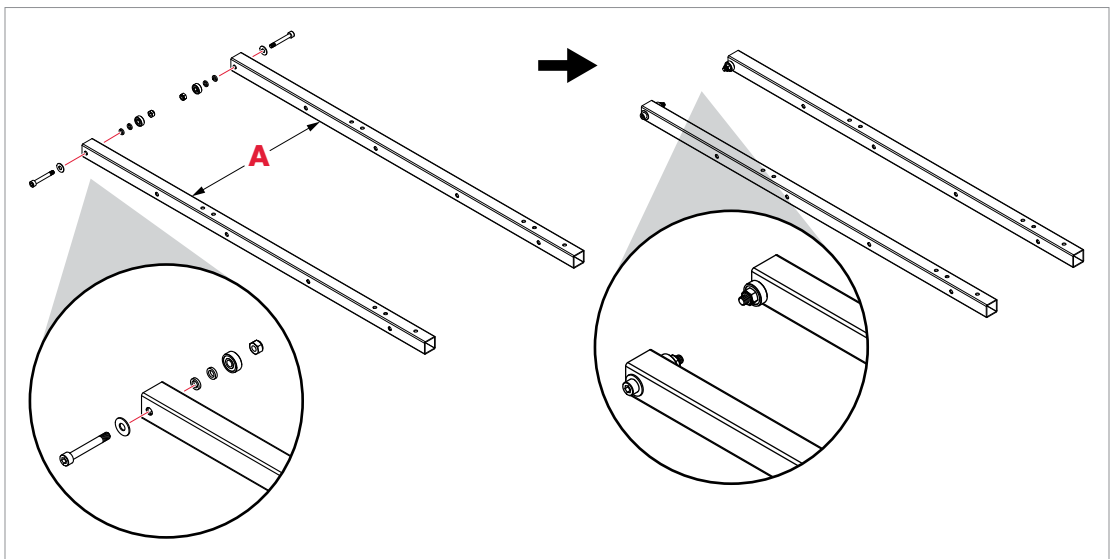


Fig. 4

WITH WING

- 2 Press a table roller bushing into each end of the large table roller (**F**), then press the other side of one of the table roller bushings onto one of the ball bearings you just attached to a table tube. Do not attach the large table roller to the other ball bearing yet (see Fig. 5).

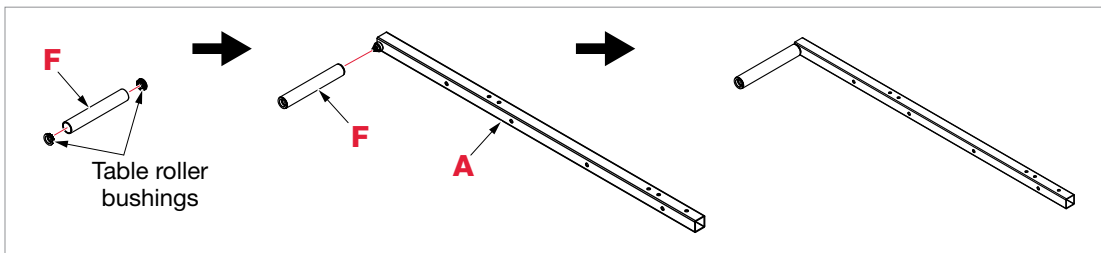


Fig. 5

- 3 Place the insert table (**D**) between the table tubes (**A**), with the text on the bottom, so the three mounting holes in the side of the insert table line up with the three insert table mounting holes in the table tube attached to the large table roller (see Fig. 6).

Be careful when positioning the insert table because it is not yet secured to the tubes and could scratch the table tubes. Insert an M6 x 40 socket head cap screw through an M6 x 16 washer, then through one of the exposed mounting holes in the table tube and insert table, and secure it with a second M6 x 16 washer and an M6 lock nut. Use a 5mm hex L-wrench and a 10mm wrench to tighten the lock nut.

Repeat this process for the other two exposed mounting holes in the table tube attached to the large table roller and the insert table.

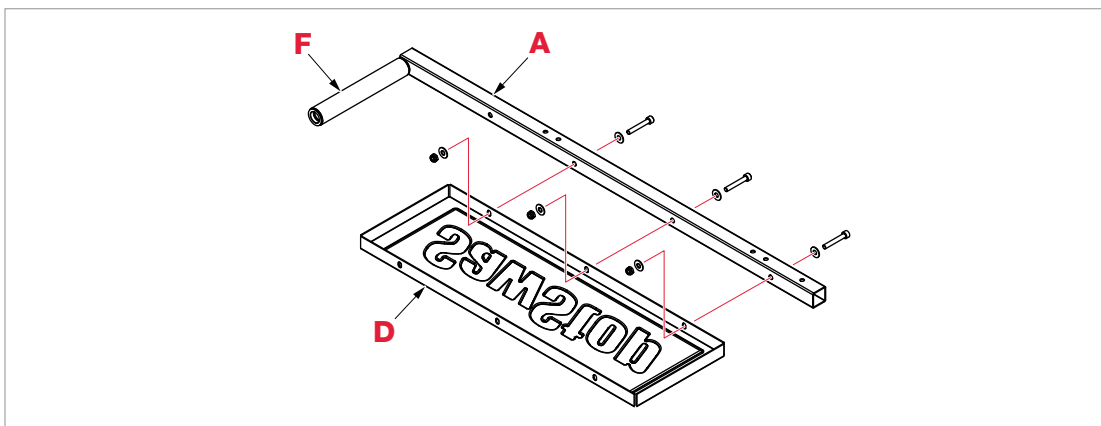


Fig. 6

WITH WING

- Slide the table tube (**A**) with the other ball bearing towards the insert table (**D**) and large table roller (**F**), and press the ball bearing into the open end of the table roller bushing in the large table roller (see Fig. 7).

Align the three insert table mounting holes in the table tube (**A**) with the remaining three mounting holes in the insert table (**D**). Insert an M6 x 40 socket head cap screw through an M6 x 16 washer, then through one of the exposed mounting holes in the table tube and insert table, and secure it with a second M6 x 16 washer and an M6 lock nut. Use a 5mm hex L-wrench and a 10mm wrench to tighten the lock nut.

Repeat this process for the other two exposed mounting holes.

Turn the assembly over, so the large table support tube mounting holes and the “SawStop” text are on top (see Fig. 7). Use a straight-edge to make sure the top surface of the insert table (**D**) does not extend above the top surfaces of the table tubes (**A**). If necessary, loosen the six M6 lock nuts and adjust the height of the insert table relative to the table tubes, then re-tighten the lock nuts. Set the table tubes with the insert table and large table roller aside.

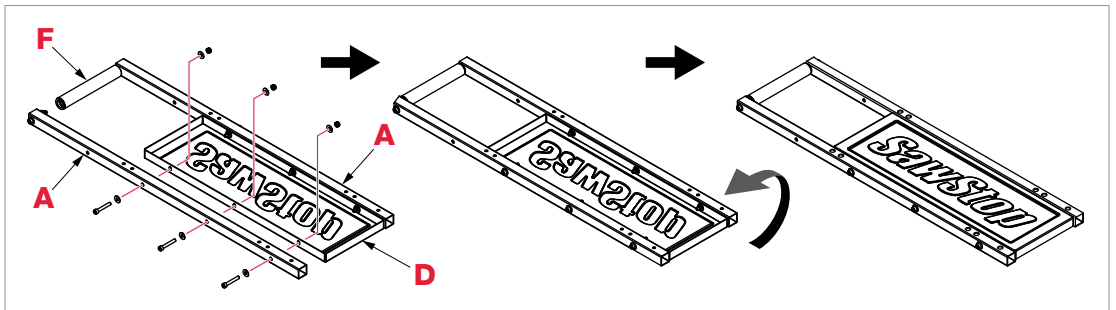


Fig. 7

WITH WING

- 5 Place two table tubes (A) on a flat surface, such as a table, with the larger table support tube mounting holes on top, and the table roller mounting holes on the sides. Insert an M6 x 45 socket head cap screw through an M6 x 16 washer, then through the roller mounting holes in one of the table tubes (with the head of the socket head cap screw on the side facing away from the other table tube), then through two M6 x 10 washers, a ball bearing, and an M6 lock nut. Use a 5mm hex L-wrench and a 10mm wrench to tighten the lock nut.

Repeat this process for the other table tube (A).

You should now have two table tubes with the five large table support tube mounting holes on top, with the heads of the screws facing away from each other, and the ball bearings between the table tubes (see Fig. 8 or the exploded view in Fig. 56 on page 57).

Press a table roller bushing into each end of a small table roller (E), then position it between the two ball bearings you just attached to the two table tubes. Press the ball bearings into the table roller bushings.

Repeat this process with another two table tubes (A) and the remaining small table roller (E). Set the table tubes with the small table rollers aside.

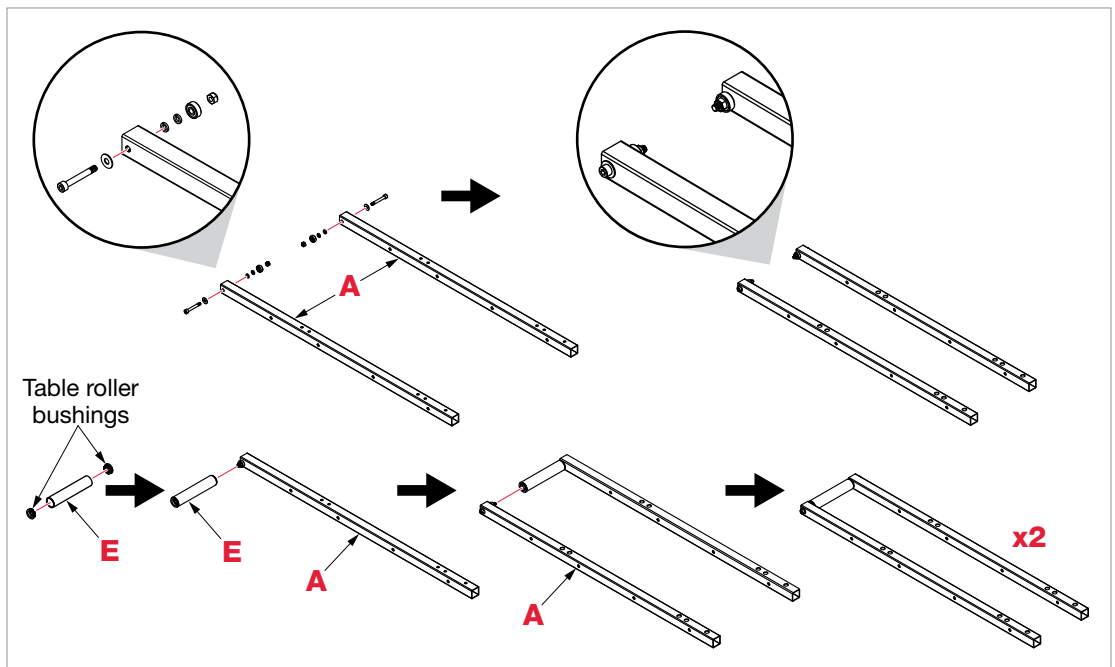


Fig. 8

WITH WING

REQUIRES: Rear Rail Clamp Pack (4)

5mm Hex L-Wrench (1)

Rear Rail Clamp Hardware Pack

10mm Wrench (1)

i

Before continuing, make sure your rip fence is moved all the way to the side or temporarily removed so it does not interfere with the installation of the Folding Outfeed Table.

6

FOR PCS TABLE SAWS WITH TGP OR TGP2 RAILS ONLY: Use a 5mm hex L-wrench to thread an M10 x 20 set screw about halfway into the threaded hole in the bottom of a rear rail clamp. The non-hex end of the set screw should extend up toward the top of the clamp, since it will contact the rear rail of the saw.

Insert an M6 x 35 socket head cap screw through the hole in the shorter side of a clamp mounting bracket, then through an M6 x 16 washer, the upper hole in the rear rail clamp, a second M6 x 16 washer, and an M6 lock nut.

Repeat this process for the remaining three rear rail clamps, but assemble two of them with the M6 x 35 socket head cap screw facing the opposite direction, so the clamp mounting bracket is on the other side of the rear rail clamp (see Fig. 9). Use a 5mm hex L-wrench and a 10mm wrench to tighten the lock nuts.



DO NOT OVER TIGHTEN THE LOCK NUTS. THE CLAMP MOUNTING BRACKETS SHOULD BE ABLE TO PIVOT RELATIVE TO THE REAR RAIL CLAMPS.

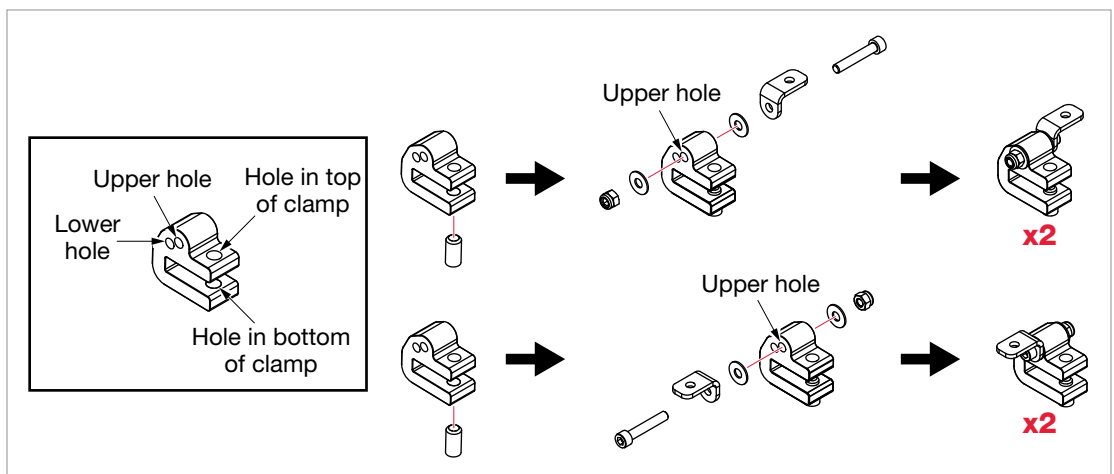


Fig. 9

WITH WING

FOR ICS TABLE SAWS WITH CBFRTGI2 RAILS ONLY: Use a 5mm hex L-wrench to thread an M10 x 20 set screw about halfway into the threaded hole in the top of a rear rail clamp. The non-hex end of the set screw should extend down toward the bottom of the clamp, since it will contact the rear rail of the table saw.

Insert an M6 x 35 socket head cap screw through the hole in the shorter side of a clamp mounting bracket, then through an M6 x 16 washer, the upper hole in the rear rail clamp, a second M6 x 16 washer, and an M6 lock nut.

Repeat this process for the remaining three rear rail clamps, but assemble two of them with the M6 x 35 socket head cap screw facing the opposite direction, so the clamp mounting bracket is on the other side of the rear rail clamp (see Fig. 10). Use a 5mm hex L-wrench and a 10mm wrench to tighten the lock nuts.



DO NOT OVER TIGHTEN THE LOCK NUTS. THE CLAMP MOUNTING BRACKETS SHOULD BE ABLE TO PIVOT RELATIVE TO THE REAR RAIL CLAMPS.



FOR ICS SAWS (CBFR AND TGI2 RAILS), IT IS VERY IMPORTANT THAT THE SET SCREW IS INSTALLED IN THE TOP OF THE REAR RAIL CLAMP, SINCE IT COULD SCRATCH THE MOTOR COVER IF INSTALLED IN THE BOTTOM OF THE REAR RAIL CLAMP.

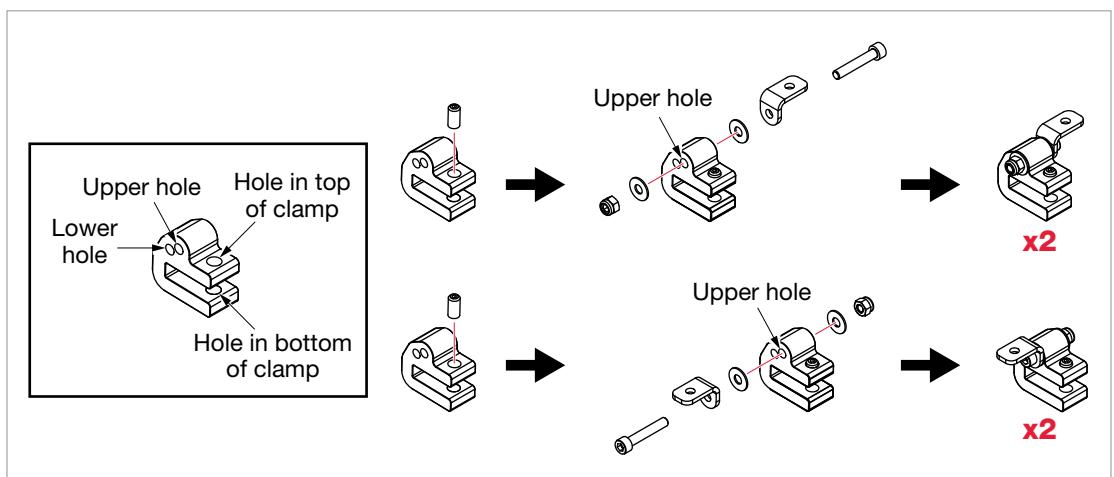


Fig. 10

WITH WING

FOR PCS TABLE SAWS WITH PFA RAILS ONLY: Use a 5mm hex L-wrench to thread an M10 x 20 set screw about halfway into the threaded hole in the bottom of a rear rail clamp. The non-hex end of the set screw should extend up toward the top of the clamp, since it will contact the rear rail of the table saw.

Insert an M6 x 35 socket head cap screw through the hole in the shorter side of a clamp mounting bracket, then through an M6 x 16 washer, the lower hole in the rear rail clamp, a second M6 x 16 washer, and an M6 lock nut.

Repeat this process for the remaining three rear rail clamps, but assemble two of them with the M6 x 35 socket head cap screw facing the opposite direction, so the clamp mounting bracket is on the other side of the rear rail clamp (see Fig. 11). Use a 5mm hex L-wrench and a 10mm wrench to tighten the lock nuts.



DO NOT OVER TIGHTEN THE LOCK NUTS. THE CLAMP MOUNTING BRACKETS SHOULD BE ABLE TO PIVOT RELATIVE TO THE REAR RAIL CLAMPS.

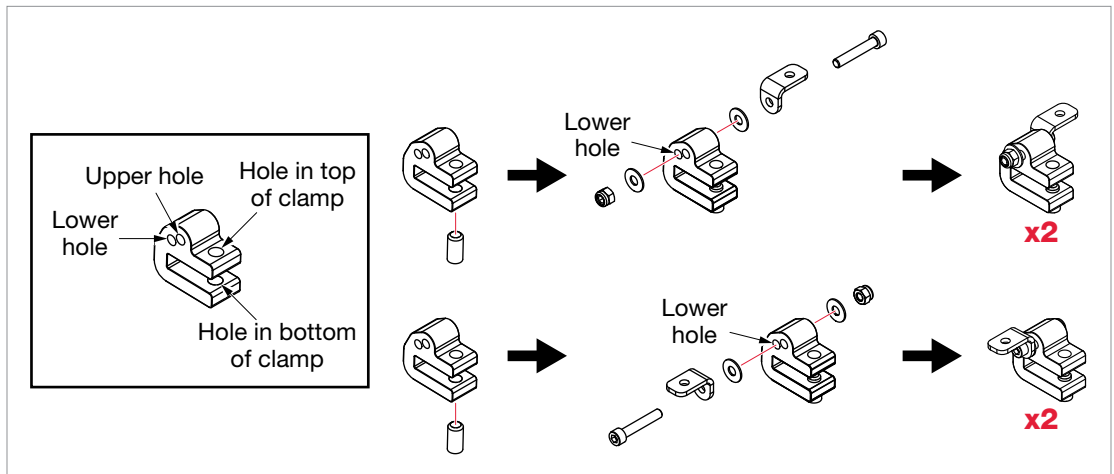


Fig. 11

WITH WING

- 7 Position one of the rear rail clamps next to one of the table tubes (**A**) attached to the insert table (**D**), so the opening in the rear rail clamp (the side with the set screw) extends away from the large table roller (**F**), and the clamp mounting bracket extends under the table tube. Align the hole in the top of the clamp mounting bracket with the clamp mounting holes in the table tube, so the clamp mounting bracket extends under the table tube, but the rear rail clamp does not.

Insert an M6 x 20 socket head cap screw down through the large and small clamp mounting holes in the table tube, then through three M6 x 16 washers, the hole in the top of the clamp mounting bracket, four M6 x 16 washers, and an M6 lock nut. Use a 5mm hex L-wrench and a 10mm wrench to tighten the lock nut.

Repeat this process for the table tube attached to the other side of the insert table. The rear rail clamps should extend away from each other (see Fig. 12).

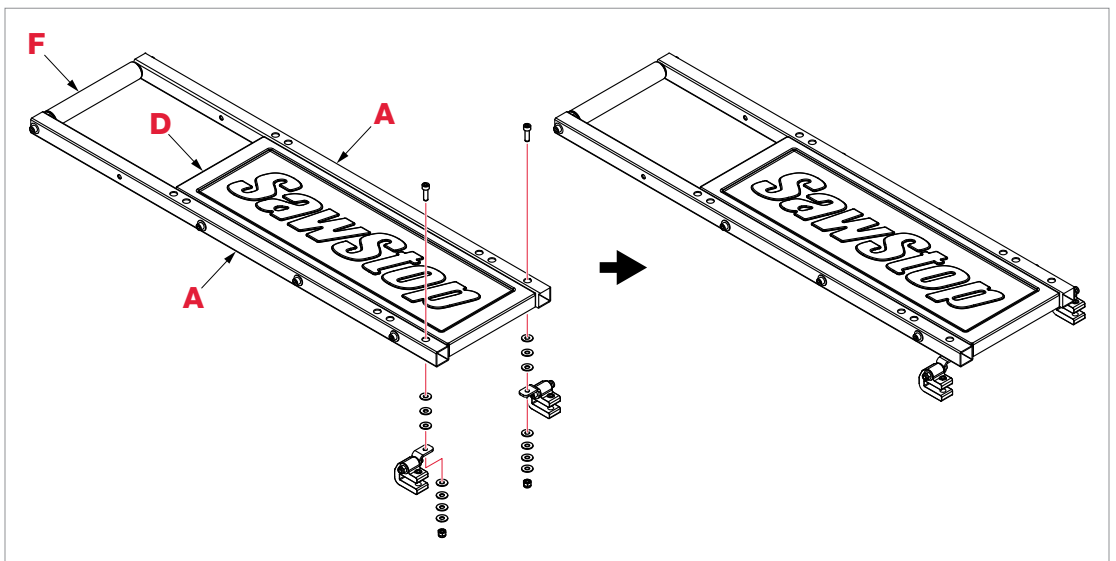


Fig. 12



No procedure is needed for the other two rear rail clamps at this time, as you will need to check (and potentially adjust) the height of the table tubes relative to the table saw.

WITH WING

REQUIRES: Tube End Cap Pack (1) 10mm Wrench (1)
5mm Hex L-Wrench (1)

- 8 Install a tube end cap into the open ends of both table tubes attached to the insert table (see Fig. 13).

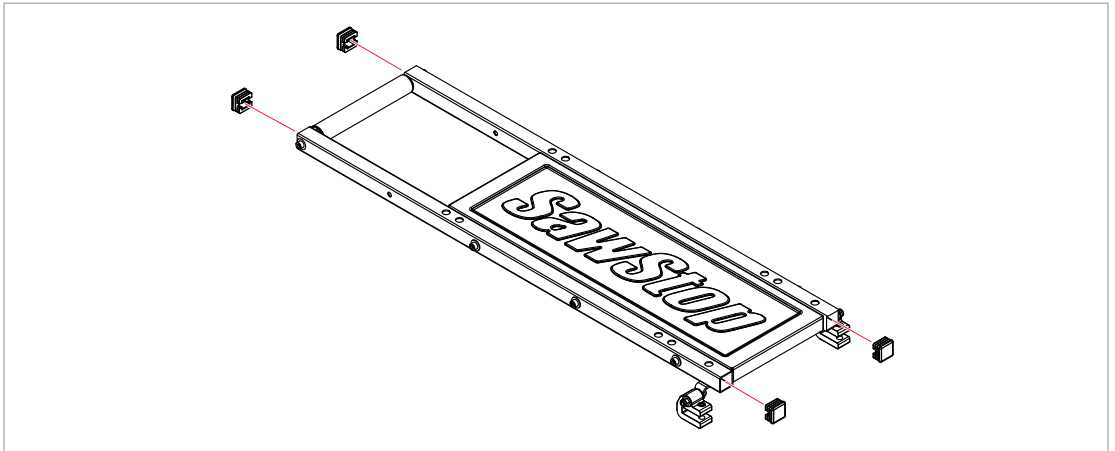


Fig. 13

- 9 Slide the two rear rail clamps onto the rear rail of the table saw, and use a 5mm hex L-wrench to tighten the M10 x 20 set screws against the rear rail (see Fig. 14).

Pivot the insert table and attached table tubes up until the top surfaces of the insert table and table tubes are parallel with the top of the saw table.

Lay a straight-edge across one of the table tubes so that it extends over the top of the saw table as well. The top surface of the table tube should be flush or just beneath the top of the saw table. The height of the table tubes relative to the saw table can be adjusted by changing the number of M6 washers above and below the clamp mounting brackets.

If a table tube extends above the saw table, use a 5mm hex L-wrench and a 10mm wrench to remove the M6 lock nut securing the clamp mounting bracket to the table tube. Move one of the washers from above the clamp mounting bracket to below the clamp mounting bracket, then replace the original four washers beneath the clamp mounting bracket and M6 lock nut and tighten the lock nut. Alternatively, if a table tube is too low relative to the saw table, move one of the washers from below the clamp to above the clamp.

WITH WING

Recheck the alignment and move more washers as necessary. Then repeat this adjustment for the clamp on the other side of the insert table. Recheck both table tubes to make sure they are still correct.

Use a 5mm hex L-wrench to loosen the set screws and remove the rear rail clamps from the rear rail.

Set the table tubes with the insert table and large roller aside.

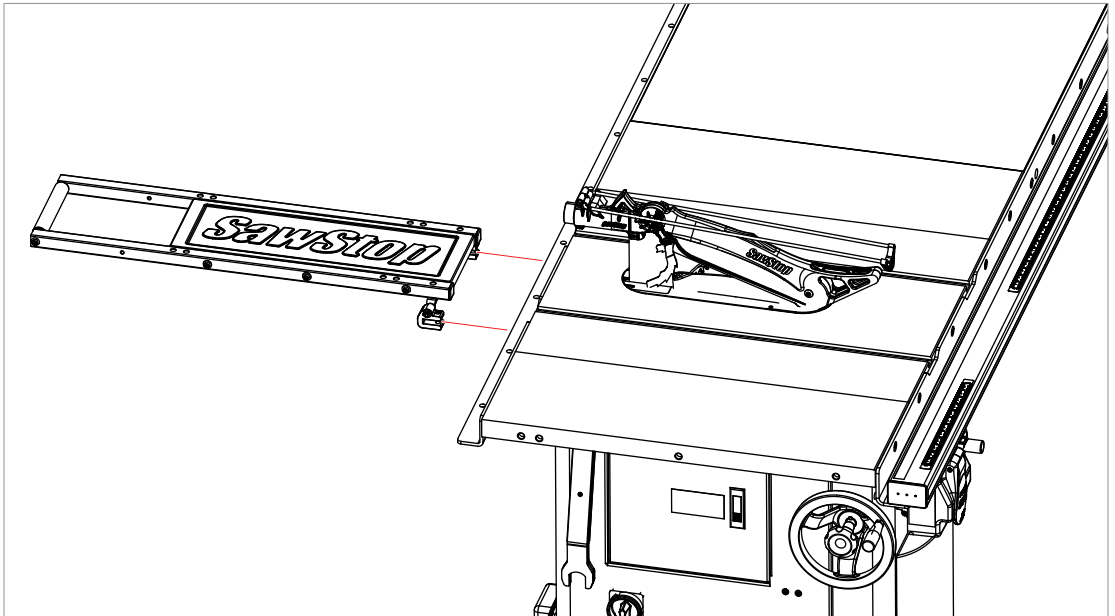


Fig. 14

- 10 Position one of the two remaining rear rail clamps between one of the sets of table tubes (**A**) attached to a small table roller (**E**), so the rear rail clamp is between the table tubes, the clamp mounting bracket extends under one of the table tubes, and the open end of the clamp extends away from the small table roller (see Fig. 15).

Align the hole in the top of the clamp mounting bracket with the clamp mounting holes in the end of the table tube. Insert an M6 x 20 socket head cap screw down through the clamp mounting holes in the table tube, then through the same number

WITH WING

of M6 x 16 washers you needed between the clamp mounting bracket and the table tube with the insert table in the previous step, then through the hole in the clamp mounting bracket and the same number of M6 washers you needed between the clamp mounting bracket and the lock nut in the previous step, and secure the washers with an M6 lock nut. Use a 5mm hex L-wrench and a 10mm wrench to tighten the lock nut.

Repeat this process with the last rear rail clamp and set of table tubes attached to the remaining small table roller. The two assemblies with the small table rollers should be mirror images of one another. One should have the rear rail clamp on the left table tube (from the user perspective), and the other should have the rear rail clamp on the right table tube (see Fig. 15).

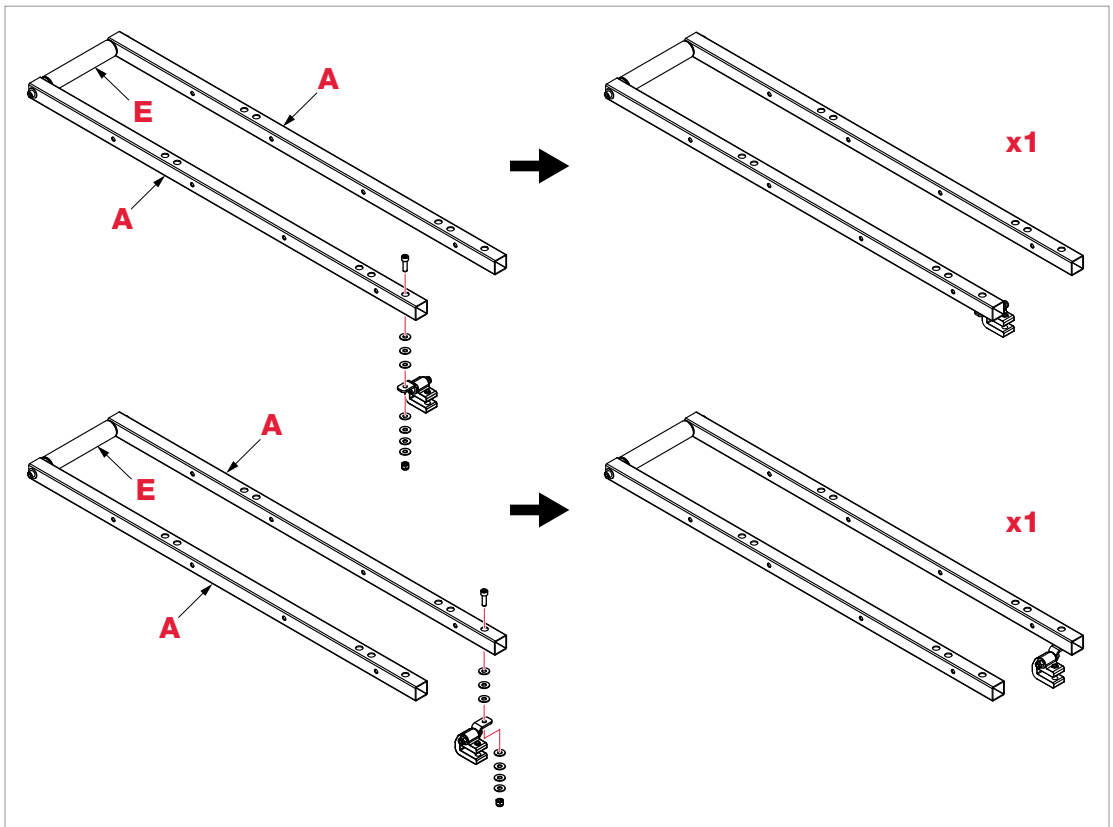


Fig. 15

WITH WING

- 11** Install a tube end cap into the open ends of the four table tubes attached to the two small table rollers and into the open ends of the remaining two solitary table tubes (not attached to table rollers) (see Fig. 16). You should have ten remaining tube end caps, which will be installed later.

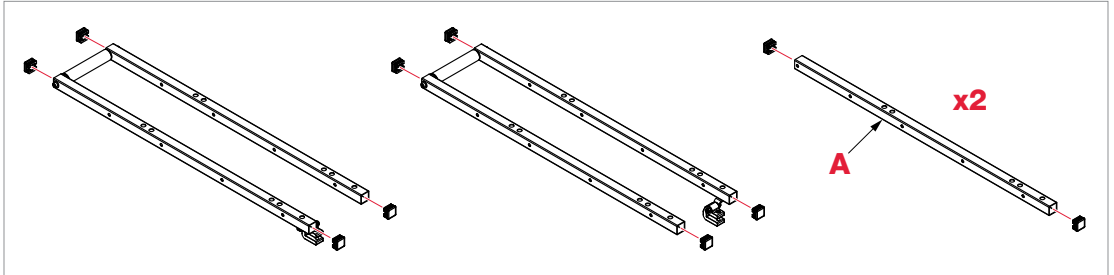


Fig. 16

- 12** Place the four table support tubes (B) on the floor behind your table saw and align them as shown in Fig. 17. In order to align the table support tubes, place two tubes next to each other, with the ten table tube mounting holes on the top and bottom and the two support leg mounting holes on the sides.

If all the mounting holes align, turn one of the tubes 180 degrees, so only the mounting holes at the ends line up. Then slide the table support tubes relative to one another until the non-overlapping portions of each tube have three mounting holes, and four mounting holes on each tube overlap, as indicated by the red circles in Fig. 18.

Once the mounting holes are aligned, position the two table support tubes so the one extending toward the right of the table saw (from the user perspective) is further away from the table saw than the table support tube extending toward the left of the table saw.

Repeat this process for the other two table support tubes.

WITH WING

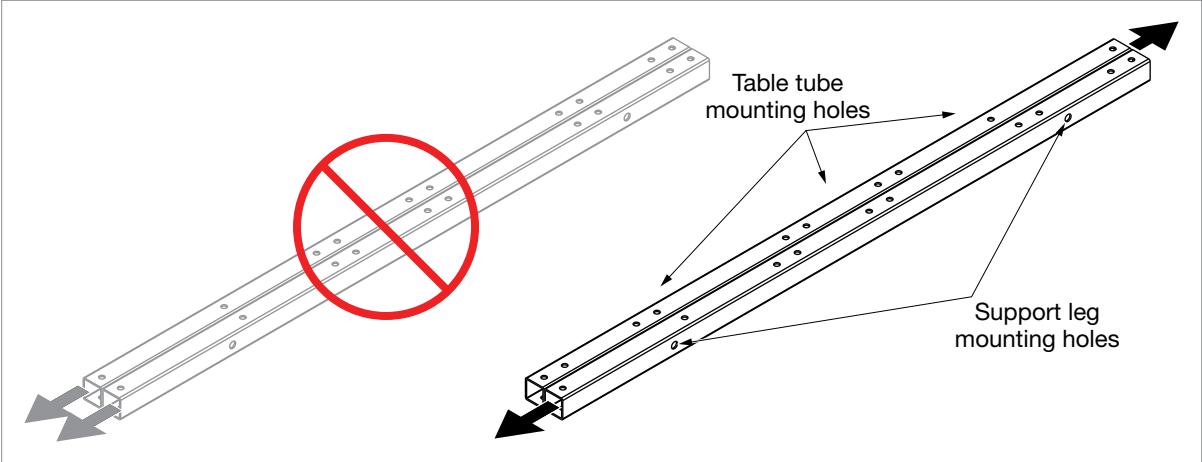


Fig. 17

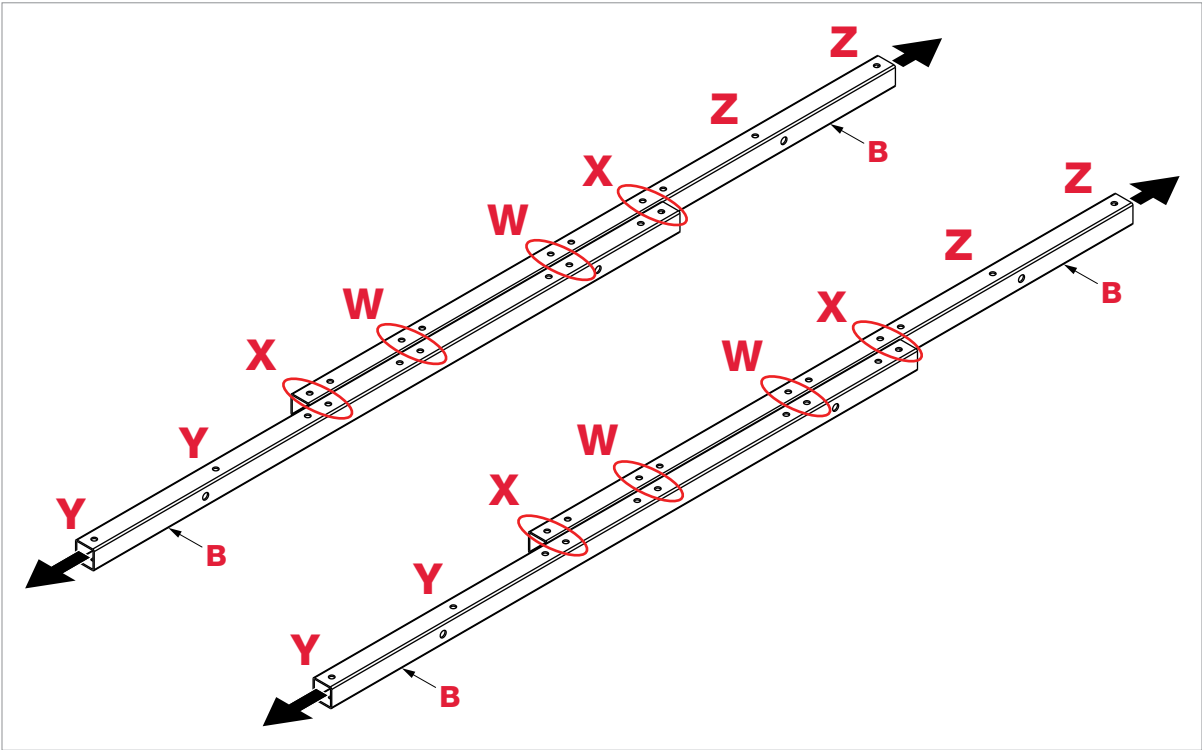


Fig. 18

WITH WING

REQUIRES: Table Tube Hardware Pack 10mm Wrench (1)
5mm Hex L-Wrench (1)

Position the two table tubes (**A**) attached to the insert table (**D**) across the four table support tubes (**B**), in the middle of the overlapping sections of the table support tubes, with the insert table and rear rail clamps on the end closest to the table saw.

Align the mounting holes in the table tubes with the two sets of aligned holes in the center of the overlapping sections of the table support tubes (marked as holes “W” in [Fig. 18 on page 20](#)). Insert an M6 x 35 socket head cap screw through one of the exposed mounting holes in one of the table tubes and table support tubes. Secure the socket head cap screw with an M6 x 16 washer and an M6 lock nut. Do not tighten the lock nut at this time.

Repeat this process for the remaining seven table support tube mounting holes in the table tubes attached to the insert table ([see Fig. 19](#)).



It is very important to use the correct mounting holes in the table support tubes. Check carefully to make sure the insert table and attached table tubes are aligned correctly. There should be one set of aligned holes and five non-aligned holes to the left of the table tubes, two non-aligned holes between the table tubes, and one set of aligned holes and five non-aligned holes to the right of the table tubes.

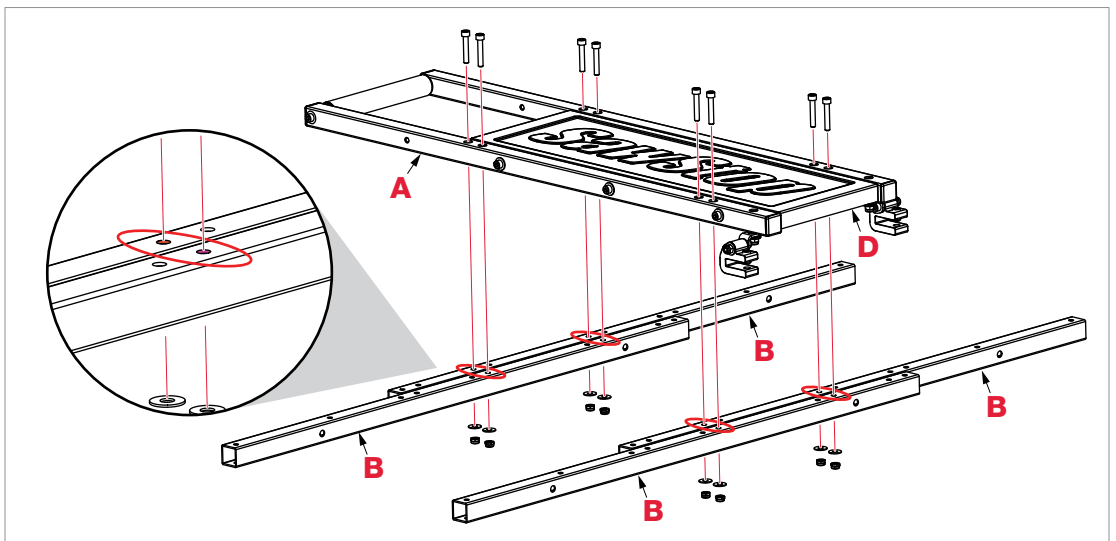


Fig. 19

WITH WING

REQUIRES: Support Leg Hardware Pack (1) 13mm Wrench (1)
5mm Hex L-Wrench (1)

- 13** Locate the two support legs (**C**) and remove the two leveling feet from the Support Leg Hardware Bag along with the two M8 hex nuts. Thread an M8 hex nut onto the threaded shaft of each foot so that the nut is close to the rubber base, and then thread the foot into the bottom of a support leg (see Fig. 20).

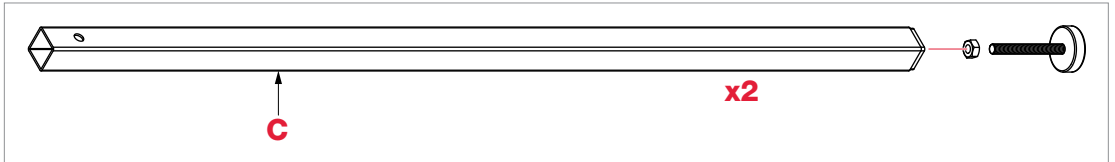


Fig. 20

- 14** Place one support leg (**C**) between the two sets of table support tubes (**B**), with the open end of the support leg on the left and the leveling foot extending toward the right (from the user perspective).

Align the mounting hole in the top of the support leg (**C**) with the support leg mounting hole in the table support tube (**B**). Insert an M8 x 70 button head socket screw through an M8 x 20 washer, then through the exposed mounting holes in the support leg, another M8 x 20 washer, the exposed mounting holes in the table

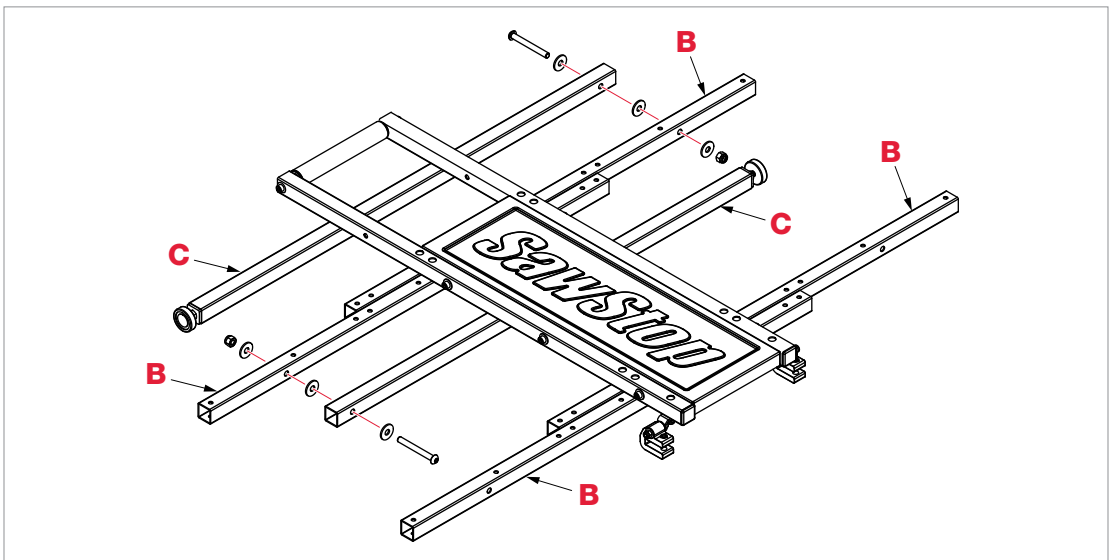


Fig. 21

WITH WING

support tube, another M8 x 20 washer, and an M8 lock nut (see Fig. 21 on page 22).

Use a 5mm hex L-wrench on the socket screw and a 13mm wrench on the lock nut to tighten the nut until the support leg (C) can pivot, but still moves with some resistance.

Repeat the process with the other support leg, but place the remaining support leg on the other side of the table support tubes (further from the table saw), with the open end of the support leg on the right and the leveling foot extending toward the left (see Fig. 21 on page 22).

15

Slide the rear rail clamps attached to the table tubes with the insert table onto the rear rail of your table saw, keeping the insert table between the miter gauge slots in your saw table. Use a 5mm hex L-wrench to thread the set screws into the clamps enough so they engage the rear rail, but do not tighten them. They need to remain loose so you can align the outfeed table to the table saw.

Pivot the support legs down so the leveling feet contact the ground (see Fig. 22).

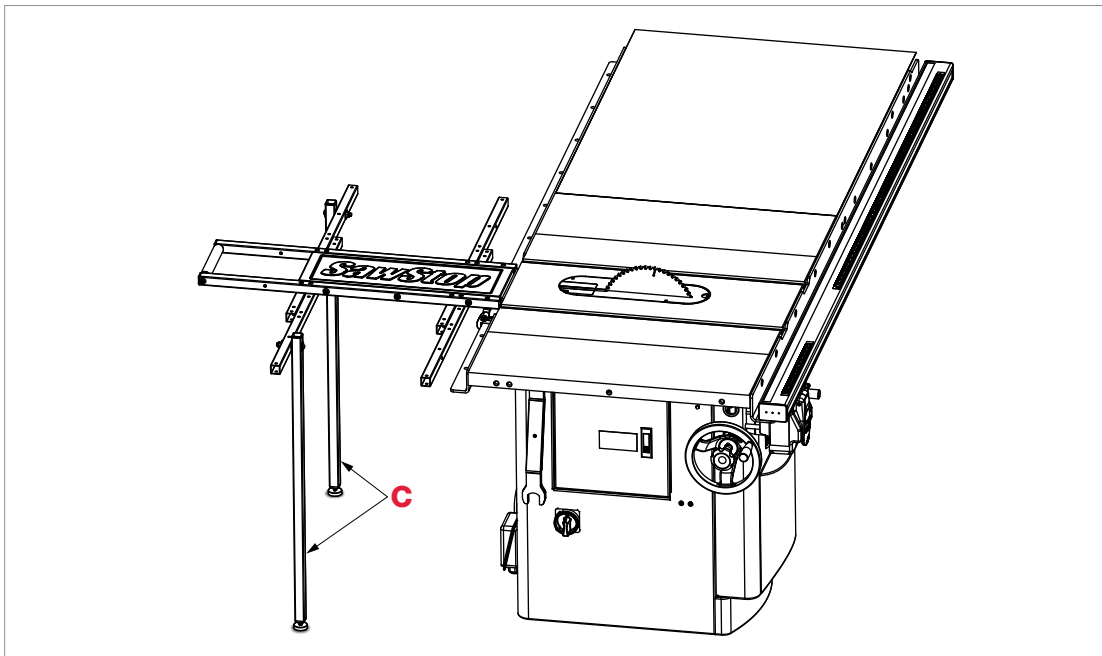


Fig. 22

WITH WING

16

Position a solitary table tube (**A**) (not attached to a table roller) across the four table support tubes (**B**), with the clamp mounting holes on the end closest to the table saw. Align the mounting holes in the table tube with the set of aligned mounting holes in the table support tubes just to the side of the table tubes attached to the insert table (**D**) (marked as holes “X” in [Fig. 18 on page 20](#)).

Position the other solitary table tube (**A**) on the other side of the insert table, and align the mounting holes in the table tube with the set of aligned mounting holes in the table support tubes (**B**) just to the other side of the table tubes attached to the insert table (marked as holes “X” in [Fig. 18 on page 20](#)).

Insert an M6 x 35 socket head cap screw through one of the exposed mounting holes in a table tube and table support tube, then through an M6 x 16 washer and an M6 lock nut. Do not tighten the lock nut at this time.

Repeat this process for the remaining seven sets of mounting holes in the two solitary table tubes and table support tubes (see [Fig. 23](#)).

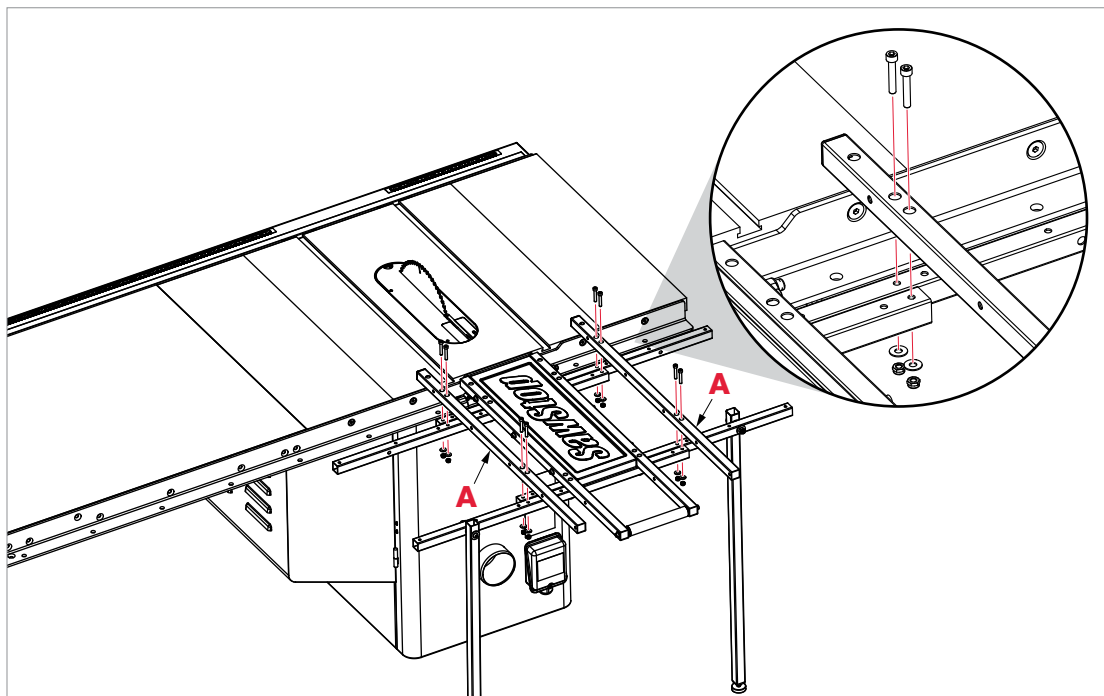


Fig. 23

WITH WING

17

Position the set of table tubes with the smaller table roller and the rear rail clamp on the left table tube at the left end of the table support tubes. The rear rail clamp should be on the table tube furthest from the insert table. If it is not, place the table tubes with the small table roller aside and replace them with the other set of table tubes with the other small table roller.

Slide the rear rail clamp onto the rear rail of your table saw, but do not tighten the set screw. Align the mounting holes in the table tubes with the mounting holes at the left end of the table support tubes (marked as holes “Y” in [Fig. 18 on page 20](#)), making sure that tube end caps are almost flush with the rear rail.

There are two sets of two holes paired together in the top and bottom of each table tube; you will use the hole in each pair that is closer to the table saw ([see Fig. 24](#)).

Insert an M6 x 35 socket head cap screw through one of the exposed mounting holes in a table tube and table support tube, then through an M6 x 16 washer and an M6 lock nut. Do not tighten the lock nut at this time.

Repeat this process for the remaining three sets of mounting holes in the two table tubes and table support tubes.

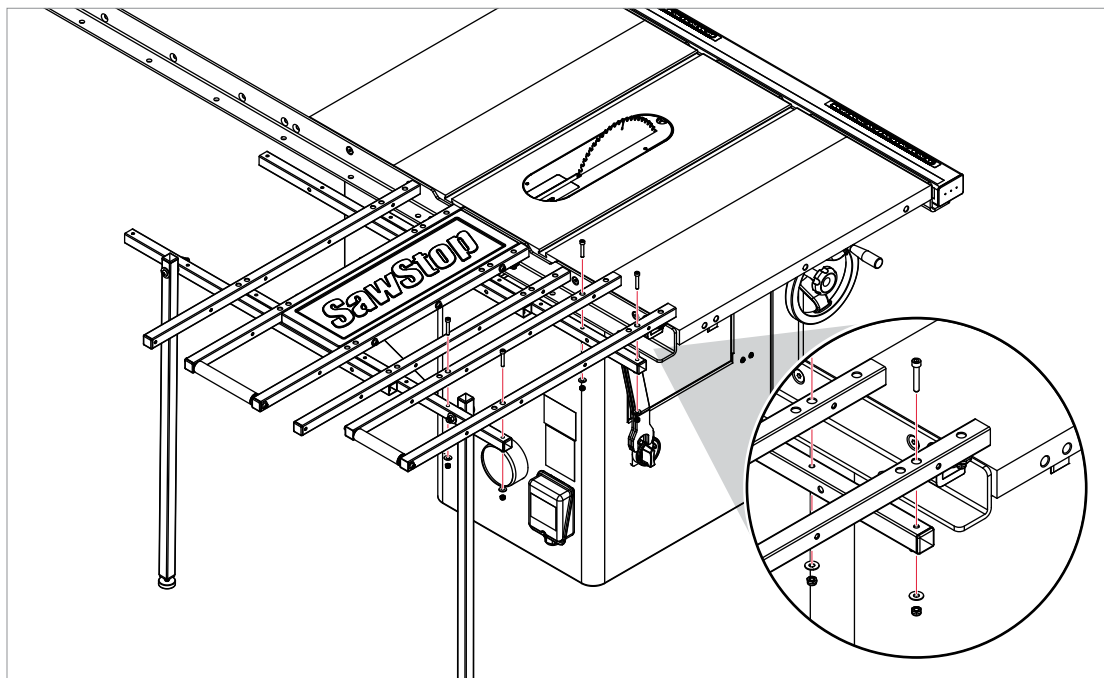


Fig. 24

WITH WING

- 18** Slide the Folding Outfeed Table toward the left end of the rear rail on the table saw (from the user perspective), until the edge of a table support tube is flush with the end of the rear rail. If necessary, use a 5mm wrench to loosen the M10 x 20 set screws on the rear rail clamps near the insert table (see Fig. 25).

Check to make sure the M10 x 20 set screws in the rear rail clamps do not interfere with any of the holes in the rear rail. If a set screw interferes with a hole, you can switch the rear rail clamp to a different table tube. Additionally, you can disassemble the clamp and reassemble it with the clamp mounting bracket on the other side, which will allow you to switch the clamp to the other side of the table tube.

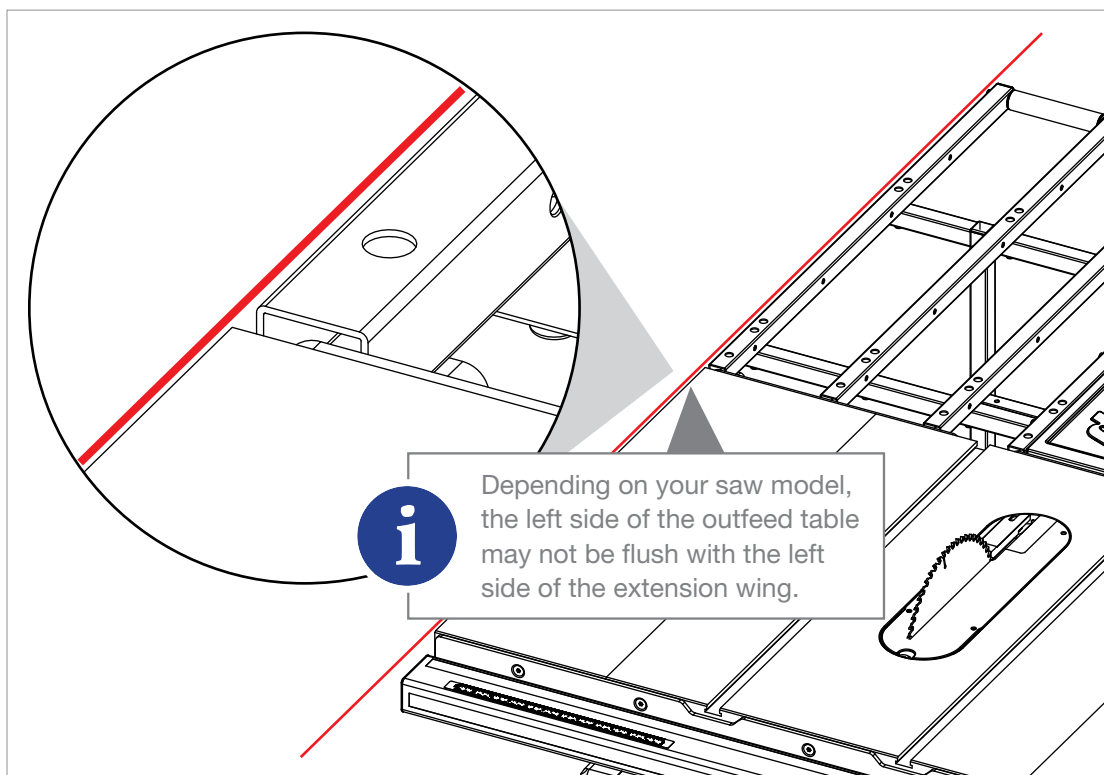


Fig. 25

- 19** Use a 5mm hex L-wrench to tighten the three M10 x 20 set screws to secure the Folding Outfeed Table to the rear rail. Use a straightedge to recheck that the tops of the table tubes are flush or just beneath the top of the saw table and make any necessary adjustments.

WITH WING

20

Position the remaining set of table tubes at the right end of the table support tubes, and slide the rear rail clamp onto the rear rail of the table saw. Align the mounting holes in the table tubes with the mounting holes at the right end of the table support tubes (marked as holes “Z” in [Fig. 18 on page 20](#)), making sure that the ends of the table tubes are almost flush with the rear rail of the table saw.

There are two sets of holes paired together in the top and bottom of each table tube; you will use the hole in each pair that is further from the table saw ([see Fig. 26](#)).

Insert an M6 x 35 socket head cap screw through one of the exposed mounting holes in a table tube and table support tube, then through an M6 x 16 washer and an M6 lock nut. Do not tighten the lock nut at this time.

Repeat this process for the remaining three sets of mounting holes in the two table tubes and table support tubes. Use a 5mm hex L-wrench to tighten the M10 x 20 set screw to secure the rear rail clamp.

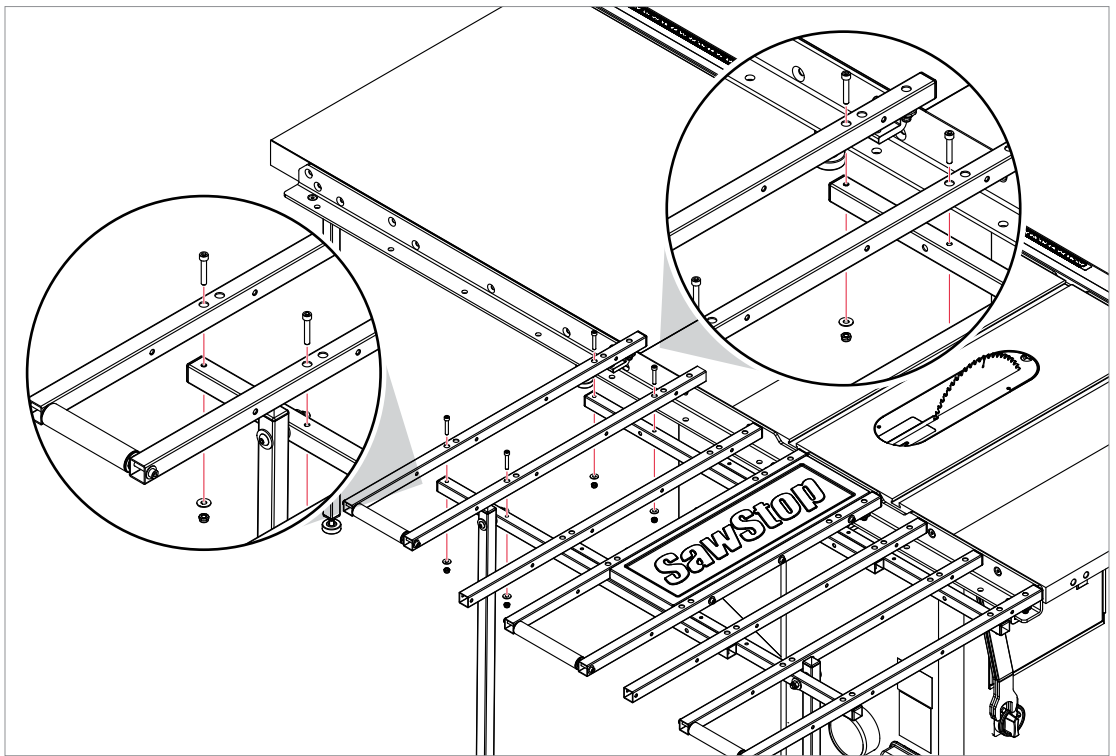


Fig. 26

WITH WING

- 21** Press a tube end cap into the top of both support legs and into the ends of the four table support tubes (see Fig. 27).

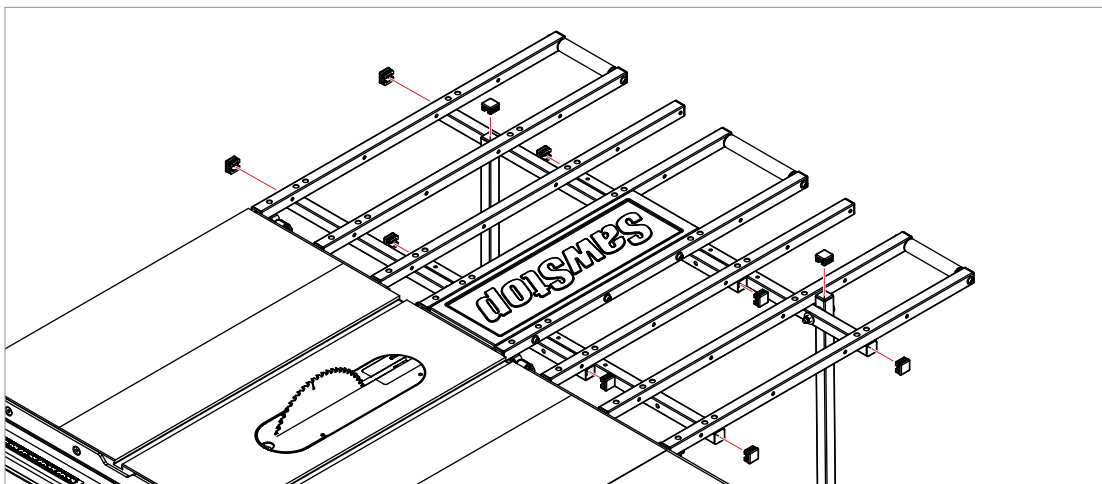


Fig. 27

- 22** Use a 5mm hex L-wrench and a 13mm wrench to tighten the 24 socket head cap screws and lock nuts securing the table tubes to the table support tubes (see Fig. 28).

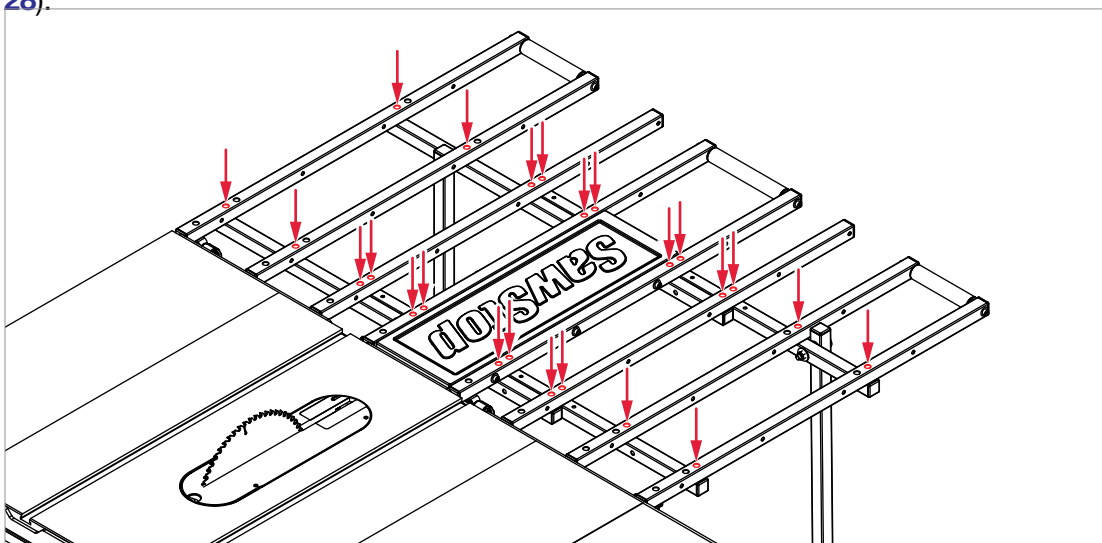


Fig. 28

Congratulations! Assembly of your Folding Outfeed Table is complete.

WITHOUT WING



You will have extra parts and hardware if assembling the Folding Outfeed Table for installation without the left extension wing.

The first step in assembling the Folding Outfeed Table is to assemble the three table rollers (**E** and **F**) (see inventory in **Fig. 2 on page 3**) and attach two table tubes (**A**) to each roller. There are five holes in the top and bottom surface of each table tube: one solitary hole and two sets of two holes paired together, and the end with the solitary holes goes near the table saw. The sets of paired holes are used to mount the table tube to the table support tubes (**B**), and the solitary holes are used to attach the rear rail clamps (**K**) (see **Fig. 29**).

The table support tube mounting holes and clamp mounting holes on the top surfaces of each table tube are larger than the corresponding holes on the bottom surface of the table tube. This allows socket head cap screws to be inserted to secure the table tube to the table support tubes. Not all of the paired holes are used to mount the table tubes to the table support tubes; different holes are used for different configurations.

There are five solitary holes in both sides of each table tube: the one furthest from the clamp mounting hole is the used to attach a table roller to the table tube, and is not used in every table tube.

The rear three holes on each side of the table tube are used for mounting the insert table (see **Fig. 29**).

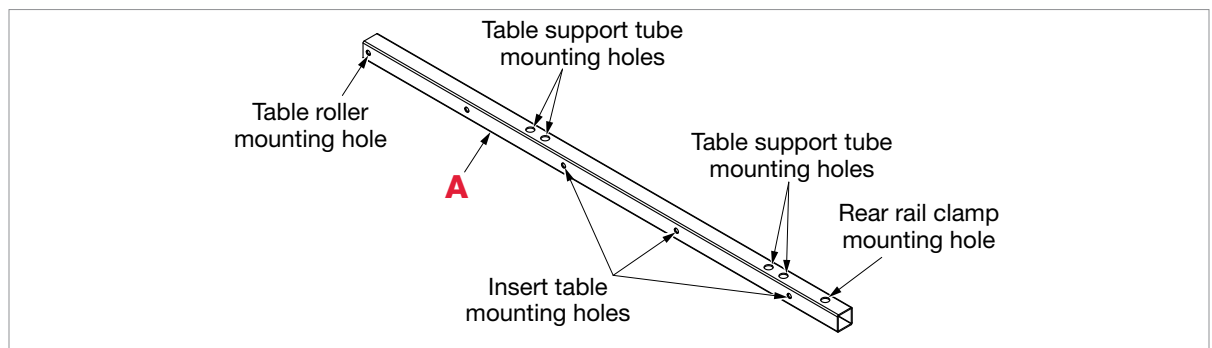


Fig. 29

WITHOUT WING

REQUIRES: Table Roller Hardware Pack 5mm Hex L-Wrench (1)
Insert Table Hardware Pack 10mm Wrench (1)

1 Begin by placing two table tubes (**A**) on a flat surface, such as a table, with the five larger table support tube mounting holes on the **bottom**, and the roller mounting holes on the sides.

Insert an M6 x 45 socket head cap screw through an M6 x 16 washer, then through the roller mounting holes in one of the table tubes (with the head of the socket head cap screw on the side facing away from the other table tube), then through two M6 x 10 washers, a ball bearing, and an M6 lock nut. Use a 5mm hex L-wrench and a 10mm wrench to tighten the lock nut.

Repeat this process for the other table tube. You should now have two table tubes with the larger table support tube mounting holes on the bottom, the heads of the screws facing away from each other, and the ball bearings between the table tubes (see Fig. 30 or the exploded view in Fig. 56 on page 57).

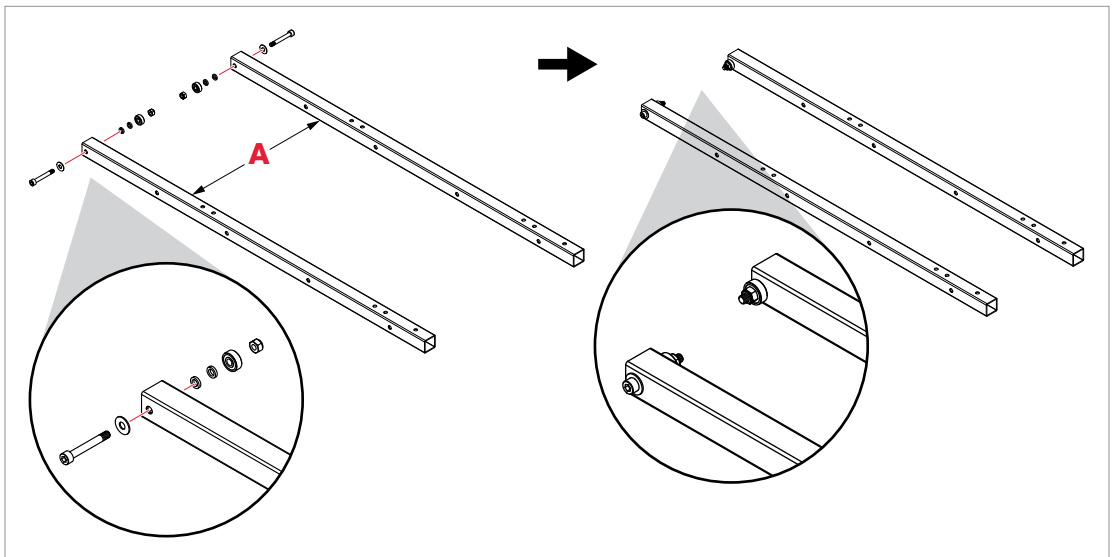


Fig. 30

WITHOUT WING

- 2 Press a table roller bushing into each end of the large table roller (F) (see inventory in Fig. 2 on page 3), then press the other side of one of the table roller bushings onto one of the ball bearings you just attached to a table tube. Do not attach the large table roller to the other ball bearing yet.

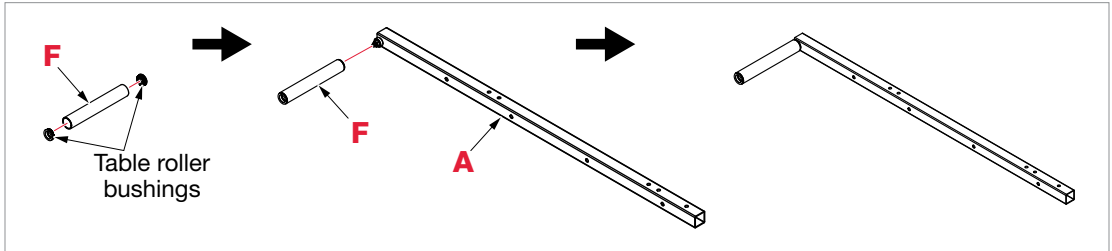


Fig. 31

- 3 Place the insert table (D) between the table tubes (A), with the text on the bottom so the three mounting holes in the side of the insert table line up with the three insert table mounting holes in the table tube attached to the large table roller (see Fig. 32).

Be careful when positioning the insert table because it is not yet secured to the tubes and could fall or scratch the table tubes. Insert an M6 x 40 socket head cap screw through an M6 x 16 washer, then through one of the exposed mounting holes in the table tube and insert table, and secure it with a second M6 x 16 washer and an M6 lock nut. Use a 5mm hex L-wrench and a 10mm wrench to tighten the lock nut.

Repeat this process for the other two exposed mounting holes in the table tube attached to the large table roller and the insert table.

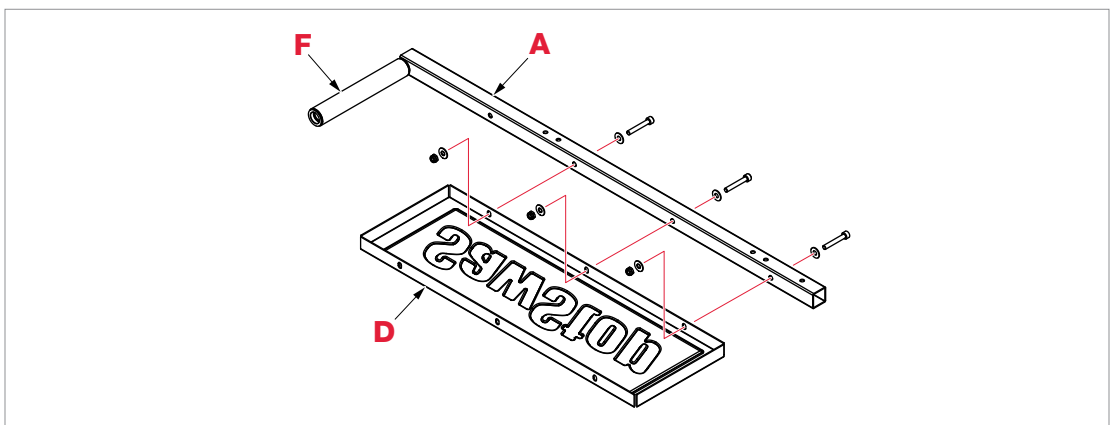


Fig. 32

WITHOUT WING

- 4 Slide the other table tube (A) with the other ball bearing towards the insert table (D) and large table roller (F), and press the ball bearing into the open end of the table roller bushing in the large table roller (see Fig. 33).

Align the three insert table mounting holes in the table tube (A) with the remaining three mounting holes in the insert table (D). Insert an M6 x 40 socket head cap screw through an M6 x 16 washer, then through one of the exposed mounting holes in the table tube and insert table, and secure it with a second M6 x 16 washer and an M6 lock nut. Use a 5mm hex L-wrench and a 10mm wrench to tighten the lock nut.

Repeat this process for the other two exposed mounting holes.

Turn the assembly over, so the large table support tube mounting holes and the “SawStop” text are on top. Use a straight-edge to make sure the top surface of the insert table (D) does not extend above the top surfaces of the table tubes (A). If necessary, loosen the six M6 lock nuts and adjust the height of the insert table relative to the table tubes, then re-tighten the lock nuts. Set the table tubes with the insert table and large table roller aside.

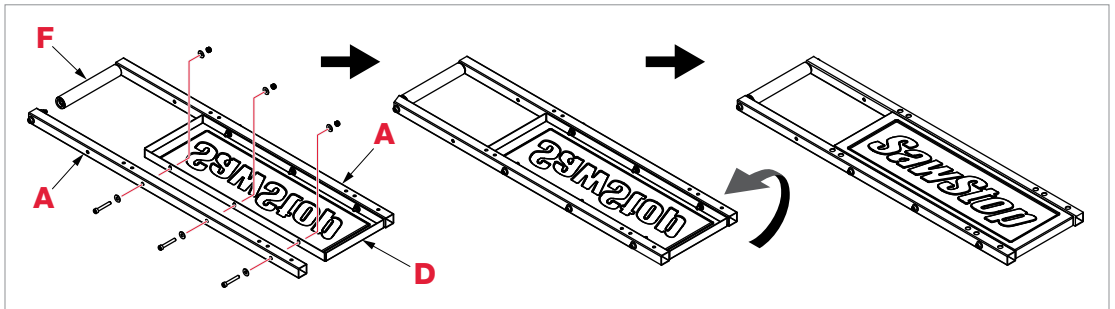


Fig. 33

WITHOUT WING

- Place two table tubes (**A**) (see inventory in [Fig. 2 on page 3](#)) on a flat surface, such as a table, with the larger table support tube mounting holes on top, and the table roller mounting holes on the sides. Insert an M6 x 45 socket head cap screw through an M6 x 16 washer, then through the roller mounting holes in one of the table tubes (with the head of the socket head cap screw on the side facing away from the other table tube), then through two M6 x 10 washers, a ball bearing, and an M6 lock nut. Use a 5mm hex L-wrench and a 10mm wrench to tighten the lock nut.

Repeat this process for the other table tube (**A**).

You should now have two table tubes with the five large table support tube mounting holes on top, with the heads of the screws facing away from each other, and the ball bearings between the table tubes (see [Fig. 34](#) or the exploded view in [Fig. 56 on page 57](#)).

Press a table roller bushing into each end of a small table roller (**E**), then position it between the two ball bearings you just attached to the two table tubes. Press the ball bearings into the table roller bushings.

Set the table tubes with the small table rollers aside.

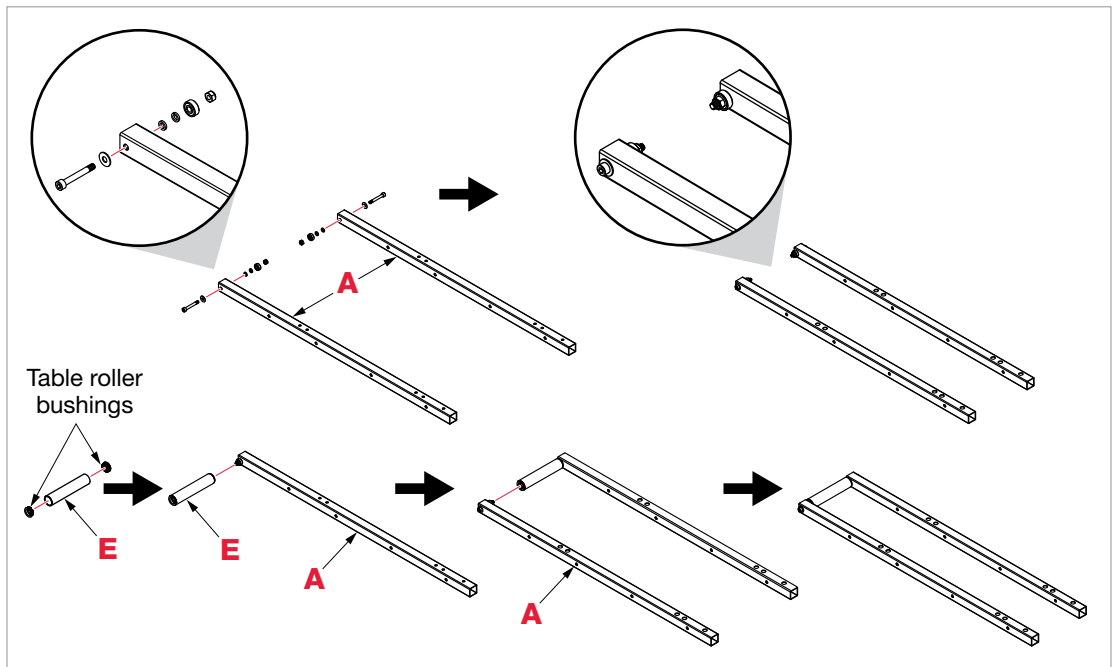


Fig. 34

WITHOUT WING

REQUIRES: Rear Rail Clamp Pack (4) 5mm Hex L-Wrench (1)
Rear Rail Clamp Hardware Pack 10mm Wrench (1)

i Before continuing, make sure your rip fence is moved all the way to the side or temporarily removed so it does not interfere with the installation of the Folding Outfeed Table.

6 **FOR PCS TABLE SAWS WITH TGP OR TGP2 RAILS ONLY:** Use a 5mm hex L-wrench to thread an M10 x 20 set screw about halfway into the threaded hole in the bottom of a rear rail clamp. The non-hex end of the set screw should extend up toward the top of the clamp, since it will contact the rear rail of the table saw.

Insert an M6 x 35 socket head cap screw through the hole in the shorter side of a clamp mounting bracket, then through an M6 x 16 washer, the left side of the upper hole in the rear rail clamp, a second M6 x 16 washer, and an M6 lock nut.

Repeat this process for two more rear rail clamps, but with the M6 x 1.0 x 35 socket head cap screw facing the opposite direction, so the clamp mounting bracket is on the right side of the rear rail clamp (see Fig. 35). Use a 5mm hex L-wrench and a 10mm wrench to tighten the lock nuts.



DO NOT OVER TIGHTEN THE LOCK NUTS. THE CLAMP MOUNTING BRACKETS SHOULD BE ABLE TO PIVOT RELATIVE TO THE REAR RAIL CLAMPS.

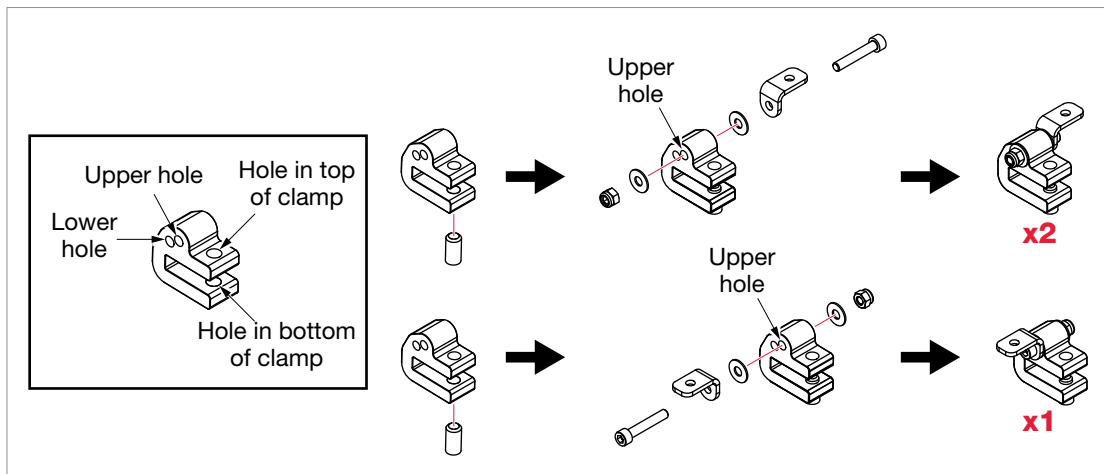


Fig. 35

WITHOUT WING

FOR ICS TABLE SAWS WITH CBFR/TGI2 RAILS ONLY: Use a 5mm hex L-wrench to thread an M10 x 20 set screw about halfway into the threaded hole in the top of a rear rail clamp. The non-hex end of the set screw should extend down toward the bottom of the clamp, since it will contact the rear rail of the table saw.

Insert an M6 x 35 socket head cap screw through the hole in the shorter side of a clamp mounting bracket, then through an M6 x 16 washer, the left side of the upper hole in the rear rail clamp, a second M6 x 16 washer, and an M6 lock nut.

Repeat this process for two more rear rail clamps, but with the M6 x 35 socket head cap screw facing the opposite direction, so the clamp mounting bracket is on the right side of the rear rail clamp (see Fig. 36). Use a 5mm hex L-wrench and a 10mm wrench to tighten the lock nuts.



DO NOT OVER TIGHTEN THE LOCK NUTS. THE CLAMP MOUNTING BRACKETS SHOULD BE ABLE TO PIVOT RELATIVE TO THE REAR RAIL CLAMPS.



FOR ICS SAWS (CBFR AND TGI2 RAILS), IT IS VERY IMPORTANT THAT THE SET SCREW IS INSTALLED IN THE TOP OF THE REAR RAIL CLAMP, SINCE IT COULD SCRATCH THE MOTOR COVER IF INSTALLED IN THE BOTTOM OF THE REAR RAIL CLAMP.

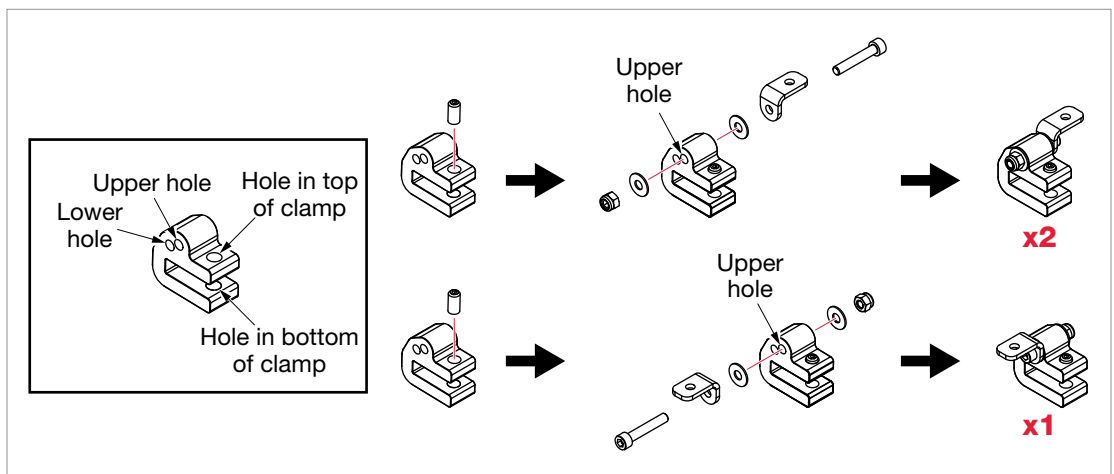


Fig. 36

WITHOUT WING

FOR PCS TABLE SAWS WITH PFA RAILS ONLY: Use a 5mm hex L-wrench to thread an M10 x 20 set screw about halfway into the threaded hole in the bottom of a rear rail clamp. The non-hex end of the set screw should extend up toward the top of the clamp, since it will contact the rear rail of the table saw.

Insert an M6 x 35 socket head cap screw through the hole in the shorter side of a clamp mounting bracket, then through an M6 x 16 washer, the left side of the lower hole in the rear rail clamp, a second M6 x 16 washer, and an M6 lock nut.

Repeat this process for two more rear rail clamps, but with the M6 x 35 socket head cap screw facing the opposite direction, so the clamp mounting bracket is on the right side of the rear rail clamp (see Fig. 37). Use a 5mm hex L-wrench and a 10mm wrench to tighten the lock nuts.



DO NOT OVER TIGHTEN THE LOCK NUTS. THE CLAMP MOUNTING BRACKETS SHOULD BE ABLE TO PIVOT RELATIVE TO THE REAR RAIL CLAMPS.

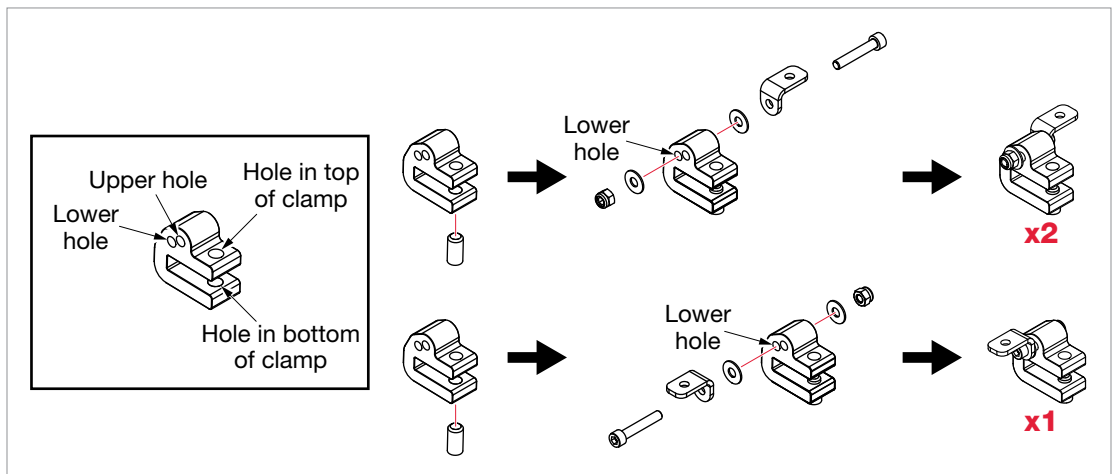


Fig. 37

WITHOUT WING

7 Position one of the rear rail clamps next to one of the table tubes (**A**) (see inventory in **Fig. 2 on page 3**) attached to the insert table (**D**), so the opening in the rear rail clamp (the side with the set screw) extends away from the table roller (**F**), and the clamp mounting bracket extends under the table tube. Align the hole in the top of the clamp mounting bracket with the clamp mounting holes in the table tube, so the clamp mounting bracket extends under the table tube, but the rear rail clamp does not.

Insert an M6 x 20 socket head cap screw down through the large and small clamp mounting holes in the table tube, then through three M6 x 16 washers, the hole in the top of the clamp mounting bracket, four M6 x 16 washers, and an M6 lock nut. Use a 5mm hex L-wrench and a 10mm wrench to tighten the lock nut.

Repeat this process for the table tube attached to the other side of the insert table. The rear rail clamps should extend away from each other (see **Fig. 38**).

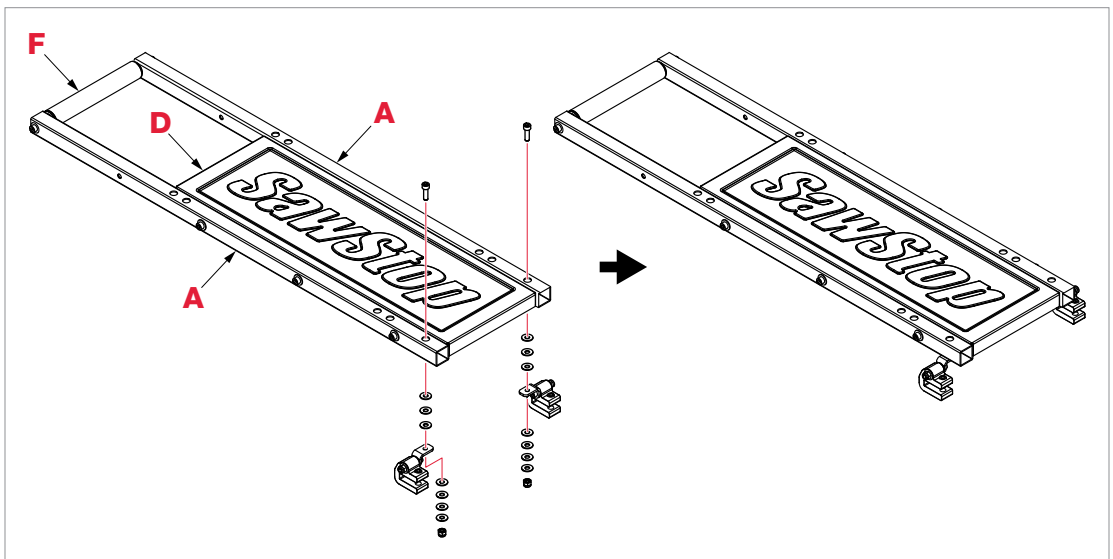


Fig. 38



No procedure is needed for the other rear rail clamp at this time, as you will need to check (and potentially adjust) the height of the table tubes relative to the table saw.

WITHOUT WING

REQUIRES: Tube End Cap Pack (1) 10mm Wrench (1)
5mm Hex L-Wrench (1)

- 8 Install a tube end cap into the open ends of both table tubes attached to the insert table (see Fig. 39 or the exploded view in Fig. 56 on page 57).

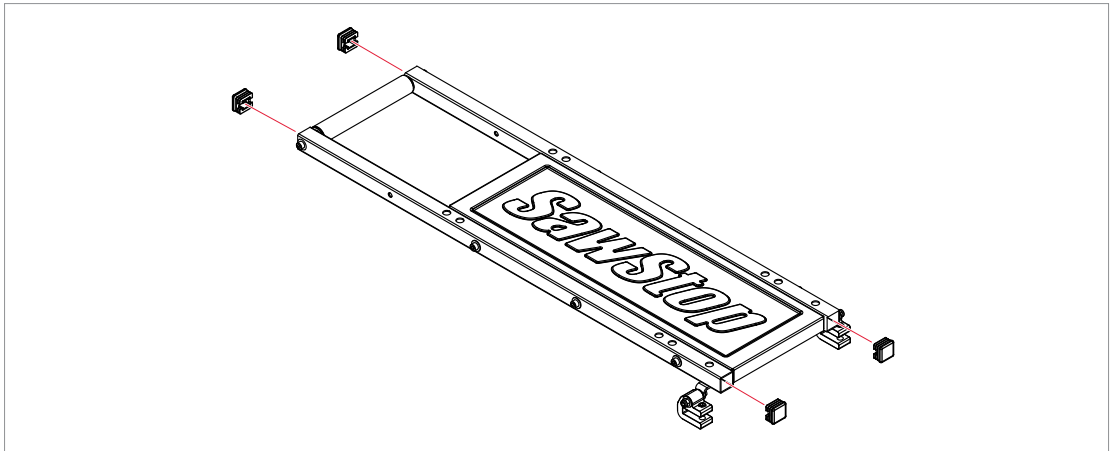


Fig. 39

- 9 Slide the two rear rail clamps onto the rear rail of the table saw, and use a 5mm hex L-wrench to tighten the M10 x 20 set screws against the rear rail (Fig. 40 on page 39).

Pivot the insert table and attached table tubes up until the top surfaces of the insert table and table tubes are parallel with the top of the saw table.

Lay a straight-edge across one of the table tubes so that it extends over the top of the saw table as well. The top surface of the table tube should be flush or just beneath the top of the saw table. The height of the table tubes relative to the saw table can be adjusted by changing the number of M6 washers above and below the clamp mounting brackets.

If the table tube extends above the saw table, use a 5mm hex L-wrench and a 10mm wrench to remove the M6 lock nut securing the clamp mounting bracket to the table tube. Move one of the washers from above the clamp mounting bracket to below the clamp mounting bracket, then replace the original four washers below the clamp mounting bracket and M6 lock nut and tighten the lock nut. Alternatively, if a

WITHOUT WING

table tube is too low relative to the saw table, move one of the washers from below the clamp to above the clamp.

Recheck the alignment and move more washes as necessary. Then repeat this adjustment for the clamp on the other side of the insert table. Recheck both table tubes to make sure they are still correct.

Use a 5mm hex L-wrench to loosen the set screws and remove the rear rail clamps from the rear rail.

Set the assembly aside.

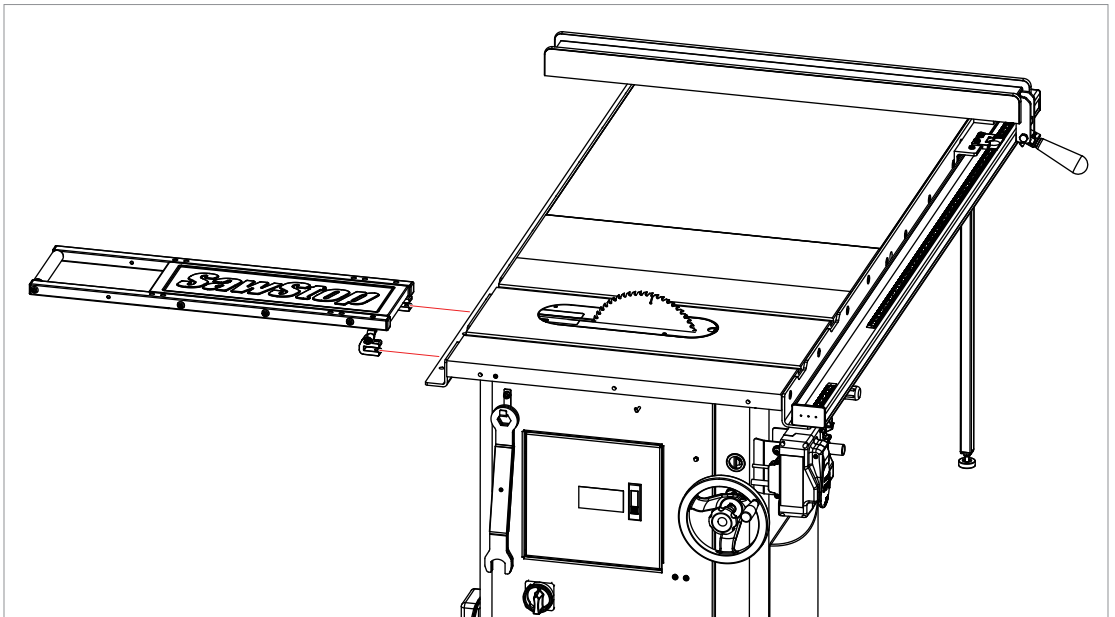


Fig. 40

10

Position the remaining rear rail clamp between the set of table tubes **(A)** (see inventory in **Fig. 2 on page 3**) attached to a small table roller **(E)**, so the rear rail clamp is between the table tubes, the clamp mounting bracket extends under the right table tube (from the user perspective), and the open end of the clamp extends away from the small table roller (**Fig. 41 on page 40**).

WITHOUT WING

Align the hole in the top of the clamp mounting bracket with the clamp mounting holes in the end of the table tube. Insert an M6 x 20 socket head cap screw down through the clamp mounting holes in the table tube, then through the same number of M6 x 16 washers you needed between the clamp mounting bracket and the table tube with the insert table in the previous step, then through the hole in the clamp mounting bracket and the same number of M6 washers you needed between the clamp mounting bracket and the lock nut in the previous step, and secure the washers with an M6 lock nut. Use a 5mm hex L-wrench and a 10mm wrench to tighten the lock nut.

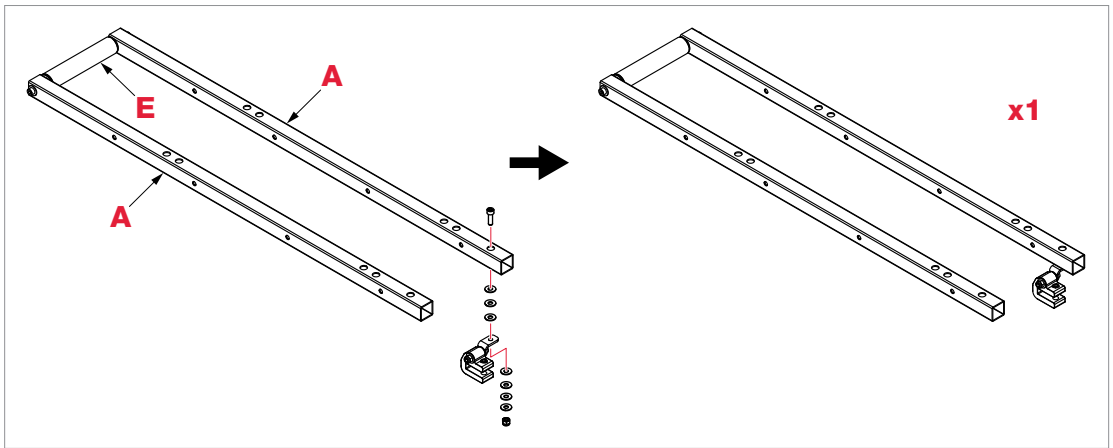


Fig. 41

11

Install a tube end cap into the open ends of the two table tubes attached to the small table roller and into the open ends of two solitary table tubes (not attached to table rollers) (see Fig. 42).

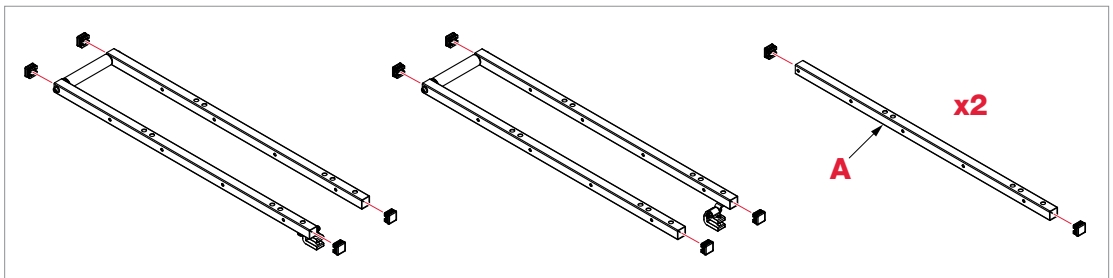


Fig. 42

WITHOUT WING

- 12** Place two table support tubes (**B**) (see inventory in **Fig. 2 on page 3**) on the floor behind your table saw and align them as shown in **Fig. 43**. The four sets of paired together holes should be on the left (from the user perspective), and the two solitary holes should be on the right.

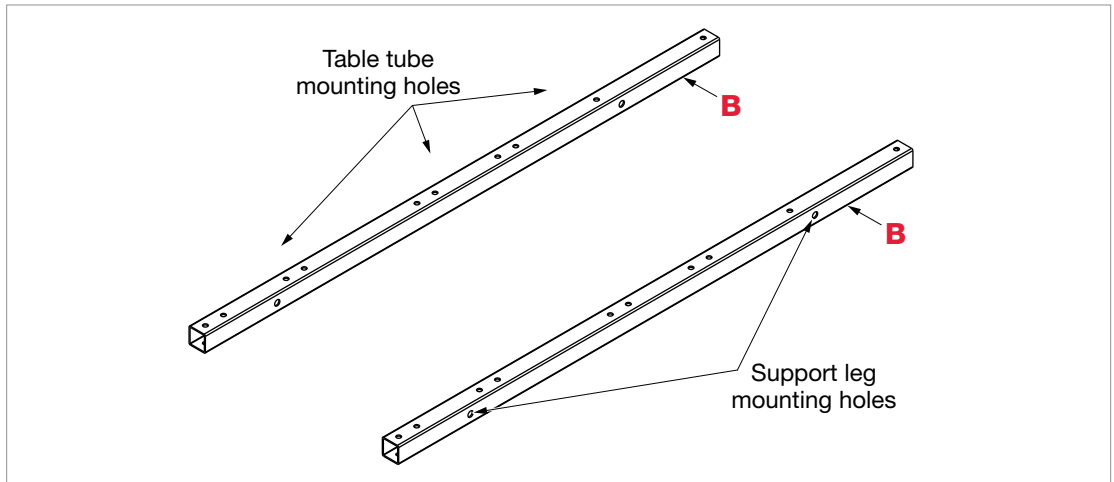


Fig. 43

REQUIRES: Table Tube Hardware Pack (1)

- 13** Position the two table tubes attached to the insert table across the two table support tubes, as shown in **Fig. 44 on page 42**, with the insert table and rear rail clamps on the end closest to the table saw.

Align the mounting holes in the table tubes with the holes marked as “X” in **Fig. 45**. Insert an M6 x 35 socket head cap screw through one of the exposed mounting holes in one of the table tubes and table support tubes. Secure the socket head cap screw with an M6 x 16 washer and an M6 lock nut. Do not tighten the lock nut at this time.

Repeat this process for the remaining three table support tube mounting holes in the table tubes attached to the insert table.



It is very important to use the correct mounting holes in the table support tubes. Check carefully to make sure the insert table and attached table tubes are aligned correctly. There should be two holes to the left of the insert table, one hole between the table tubes, and five holes to the right of the insert table.

WITHOUT WING

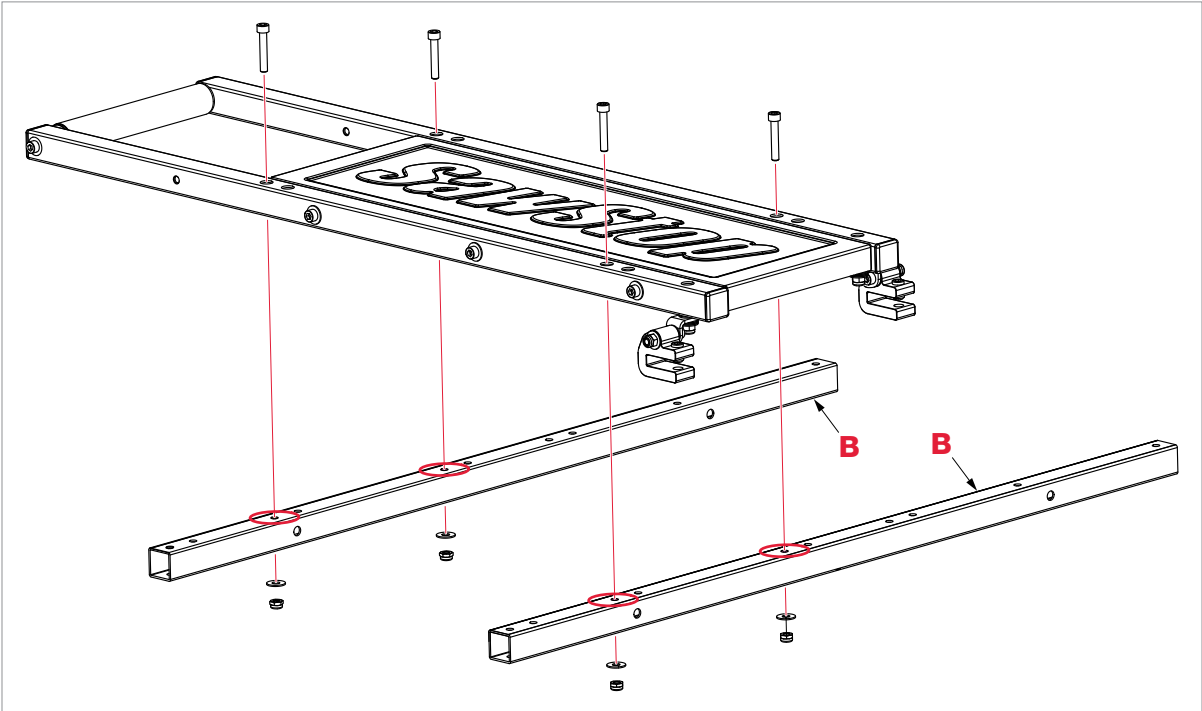


Fig. 44

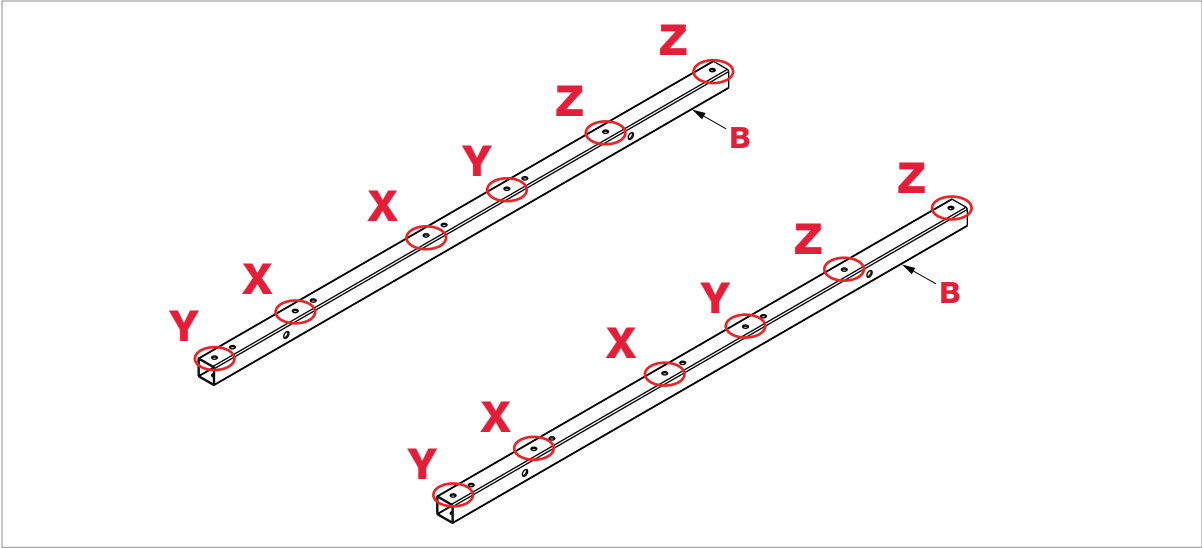


Fig. 45

WITHOUT WING

REQUIRES: Support Leg Hardware Pack (1) 13mm Wrench (1)
5mm Hex L-Wrench (1)

- 14** Locate the two support legs (**C**) (see inventory in **Fig. 2 on page 3**) and remove the two leveling feet from the Support Leg Hardware Bag along with the two M8 hex nuts. Thread an M8 hex nut onto the threaded shaft of each foot so that the nut is close to the rubber base, and then thread the foot into the bottom of a support leg (see **Fig. 46**).

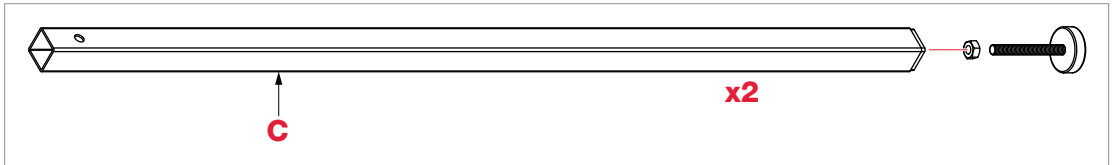


Fig. 46

- 15** Place one support leg (**C**) between the two table support tubes (**B**), with the open end of the support leg on the left and the leveling foot extending toward the right (from the user perspective).

Align the mounting hole in the top of the support leg (**C**) with the support leg mounting hole in the table support tube (**B**) further from the table saw. Insert an M8 x 70 button head socket screw through an M8 x 20 washer, then through the exposed mounting holes in the table support tube, another M8 x 20 washer, the exposed mounting holes in the support leg, another M8 x 20 washer, and an M8 lock nut (see **Fig. 47**). Use a 5mm hex L-wrench on the socket screw and a 13mm wrench on the nut to tighten the lock nut until the support leg can pivot, but still moves with some resistance.

Repeat the process with the other support leg, but place the other support leg on the other side of the table support tube (further from the table saw), with the open end of the support leg on the right and the leveling foot extending toward the left.

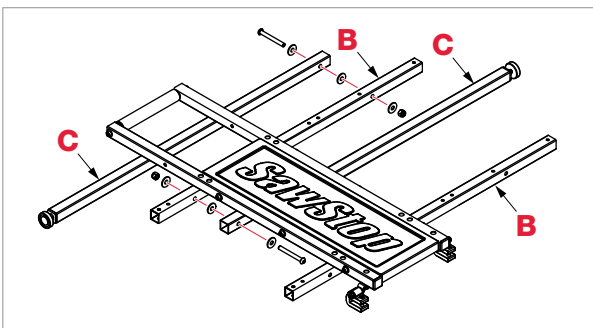


Fig. 47



You may need to pivot the first support leg partially out of the way in order to install the washer and lock nut for the second support leg.

WITHOUT WING

16

Slide the rear rail clamps attached to the table tubes with the insert table onto the rear rail of your table saw, keeping the insert table between the miter gauge slots in your saw table. Use a 5mm hex L-wrench to thread the set screws into the clamps enough so they engage the rear rail, but do not tighten them (see Fig. 48). They need to remain loose so you can align the outfeed table to the table saw.

Pivot the support legs down so the leveling feet contact the ground.

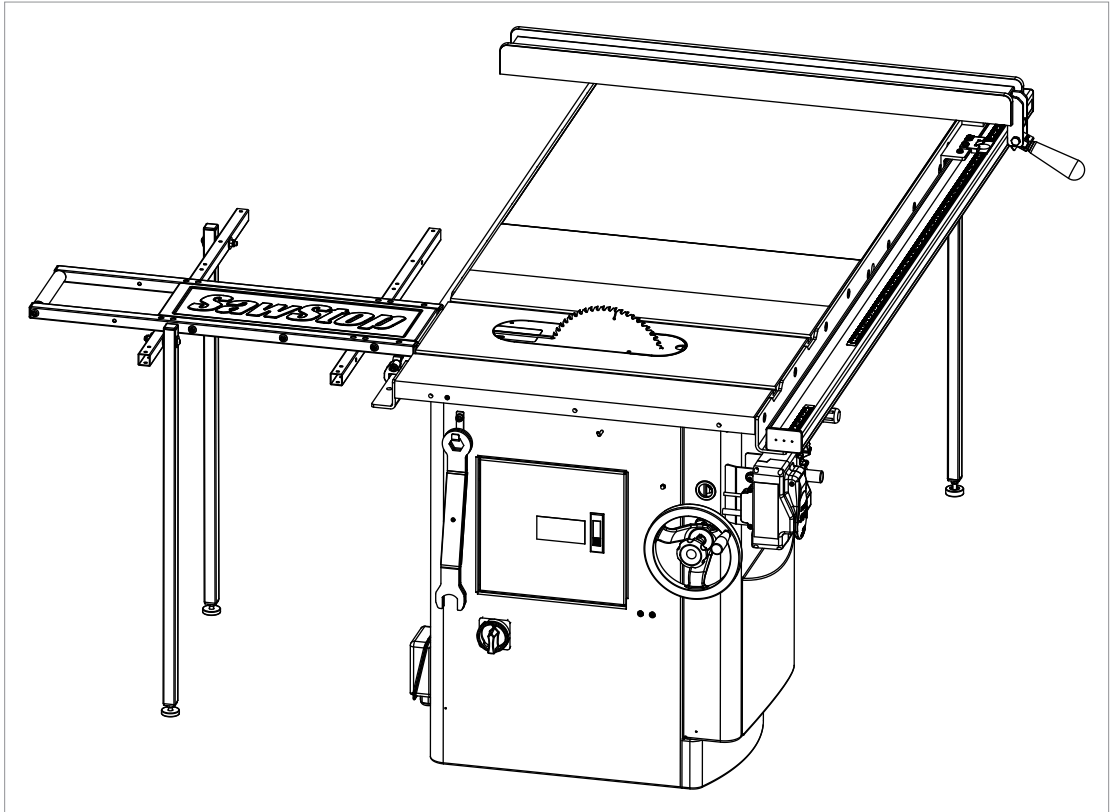


Fig. 48

WITHOUT WING

17

Position a solitary table tube (**A**) (see inventory in **Fig. 2 on page 3**) (not attached to a table roller) across the two table support tubes (**B**), with the clamp mounting holes on the end closest to the table saw. Align the mounting holes in the table tube with holes labeled as “Y” in **Fig. 45 on page 42**.

Position the other solitary table tube (**A**) on the other side of the insert table (**D**), and align the mounting holes in the table tube with the holes marked as holes “Y” in **Fig. 45 on page 42**.

Insert an M6 x 35 socket head cap screw through one of the exposed mounting holes in a table tube and table support tube, then through an M6 x 16 washer and an M6 lock nut. Do not tighten the nut at this time.

Repeat this process for the remaining three sets of mounting holes in the two solitary table tubes and table support tubes (see **Fig. 49**).

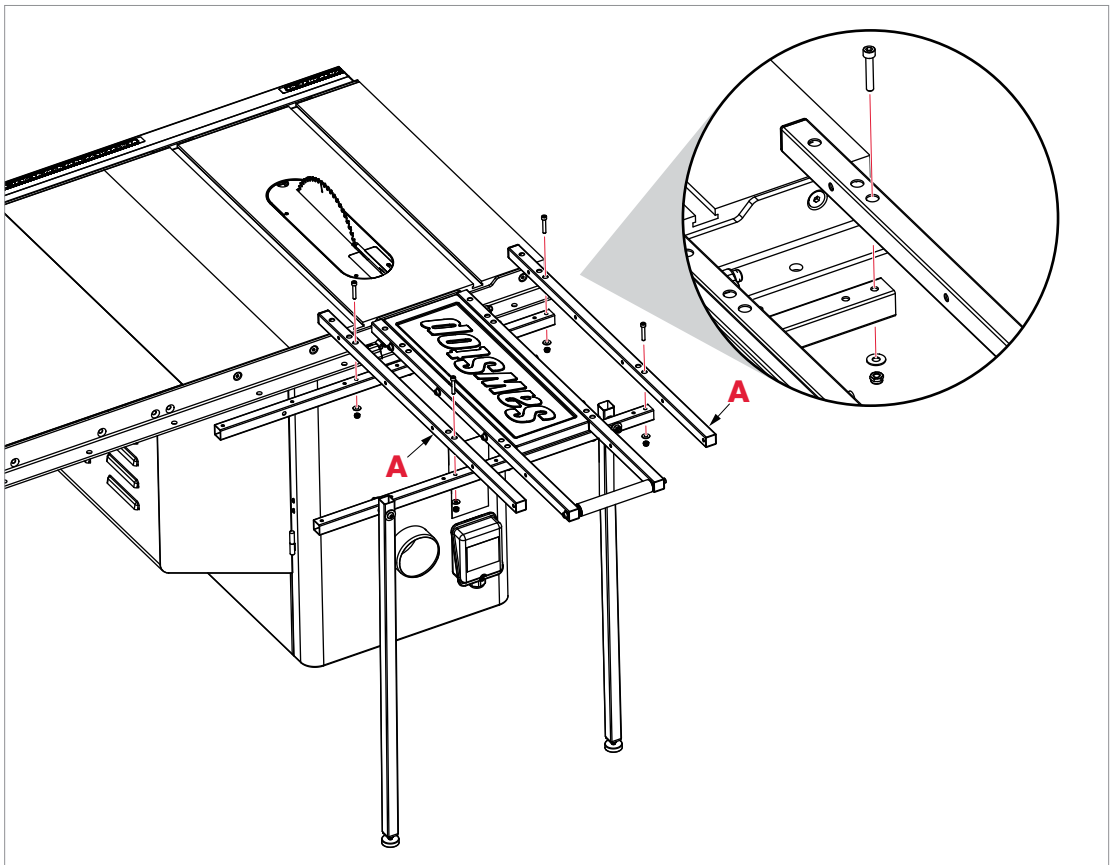


Fig. 49

WITHOUT WING

18

Position the set of table tubes with the small table roller at the right end of the table support tubes. The rear rail clamp should be on the table tube furthest from the insert table. If it is not, remove it and switch it to the table tube furthest from the insert table.

Slide the rear rail clamp onto the rear rail of your table saw, but do not tighten the set screw. Align the mounting holes in the table tubes with the mounting holes at the left end of the table support tubes (marked as holes “Z” in [Fig. 45 on page 42](#)), making sure that tube end caps are almost flush with the rear rail. There are two sets of two holes paired together in the top and bottom of each table tube; you will use the hole in each pair that is further from the table saw ([see Fig. 50](#)).

Insert an M6 x 35 socket head cap screw through one of the exposed mounting holes in a table tube and table support tube, then through an M6 x 16 washer and an M6 lock nut. Do not tighten the lock nut at this time.

Repeat this process for the remaining three sets of mounting holes in the two table tubes and table support tubes.

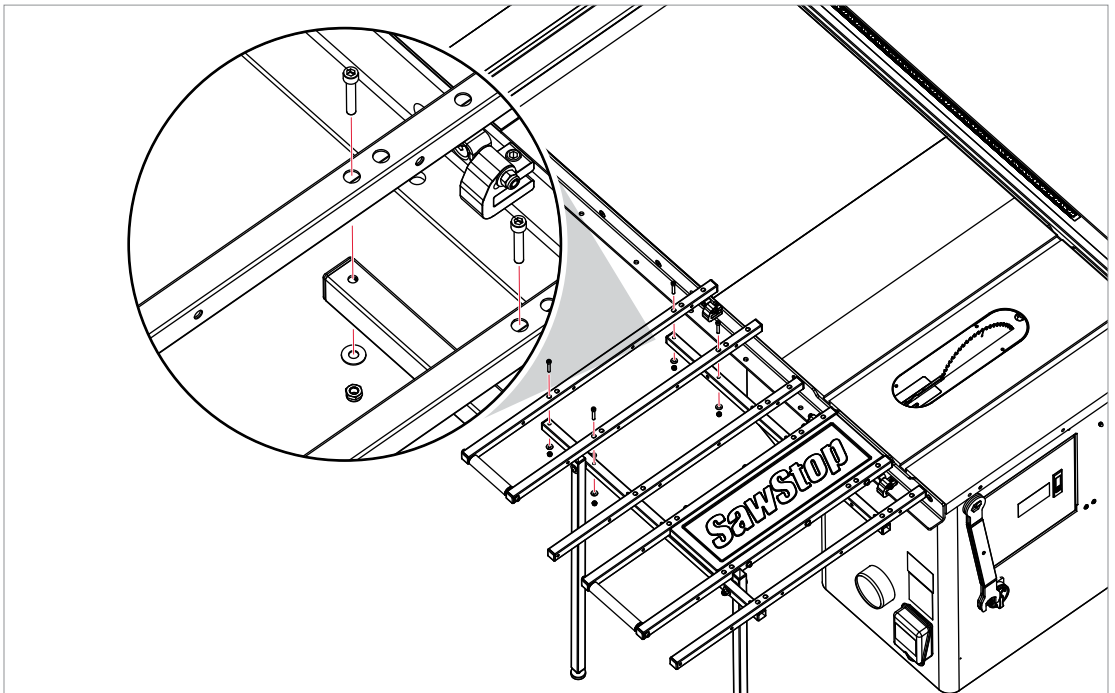


Fig. 50

WITHOUT WING

19

Slide the Folding Outfeed Table toward the left end of the rear rail on the table saw (from the user perspective), until the table tubes attached to the insert table clear the miter slots (see Fig. 51).

If necessary, use a 5mm wrench to loosen the M10 x 20 set screws on the rear rail clamps near the insert table. Check to make sure the M10 set screws in the rear rail clamps do not interfere with any of the holes in the rear rail.

If a set screw interferes with a hole, you can switch the rear rail clamp to a different table tube. Additionally, you can disassemble the clamp and reassemble it with the clamp mounting bracket on the other side, which will allow you to switch the clamp to the other side of the table tube.

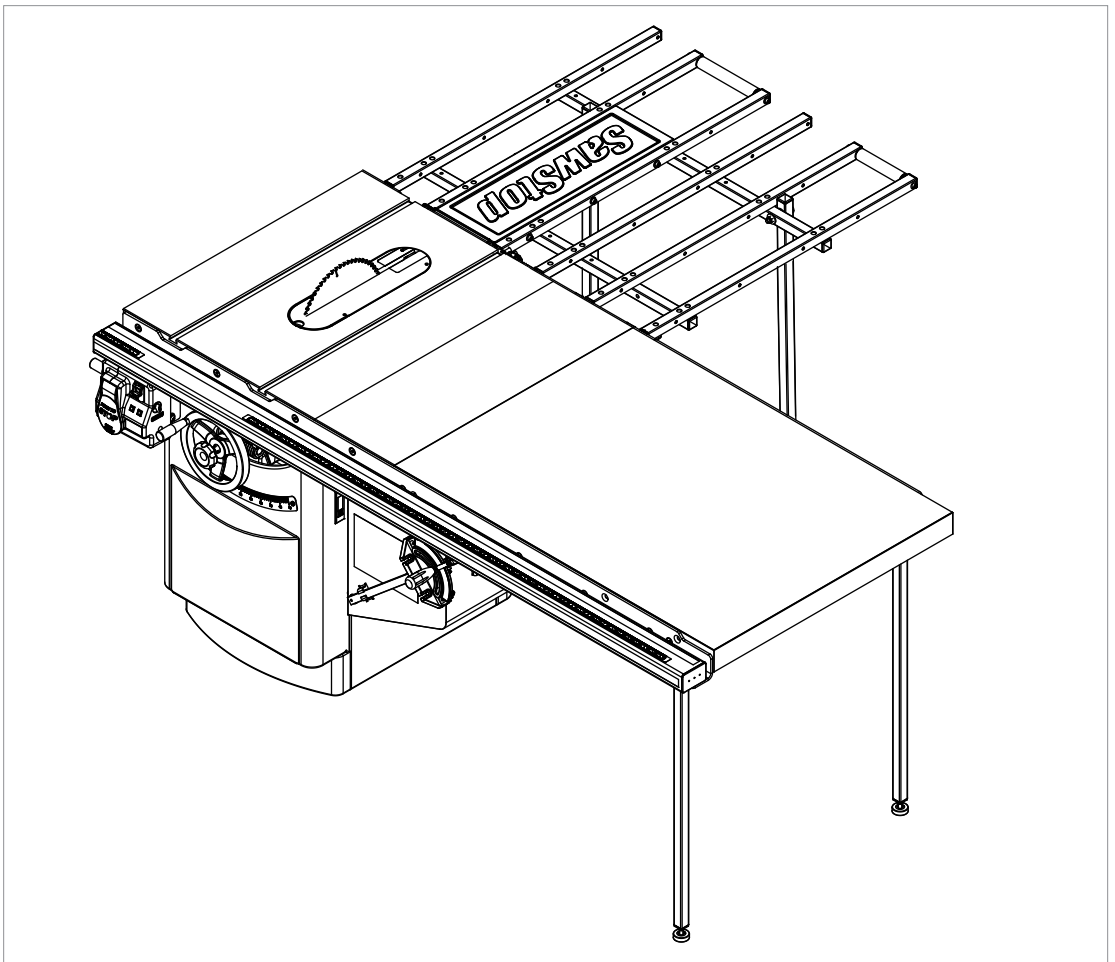


Fig. 51

WITHOUT WING

- 20** Use a 5mm hex L-wrench to tighten the three M10 x 20 set screws to secure the Folding Outfeed Table to the rear rail.

Use a straightedge to recheck that the tops of the table tubes are flush or just beneath the top of the saw table and make any necessary adjustments.

- 21** Press a tube end cap into the top of both support legs and into the outer ends of the four table support tubes (see Fig. 52).

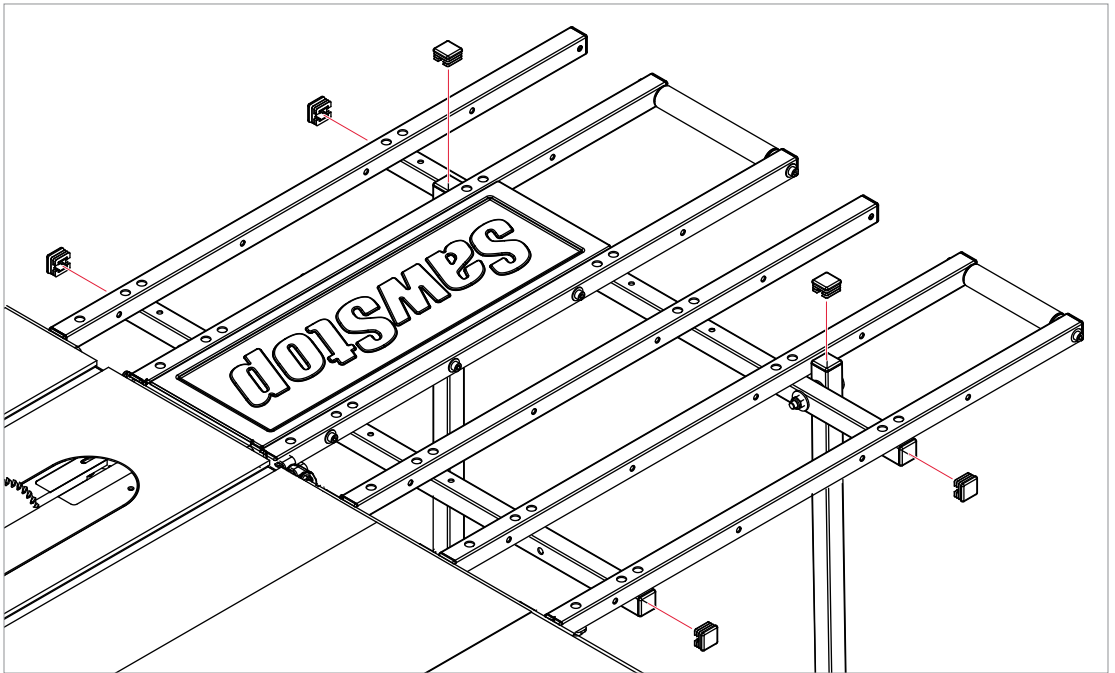


Fig. 52

WITHOUT WING

22

Use a 5mm hex L-wrench and a 13mm wrench to tighten the 12 socket head cap screws and lock nuts securing the table tubes to the table support tubes (see Fig. 53).

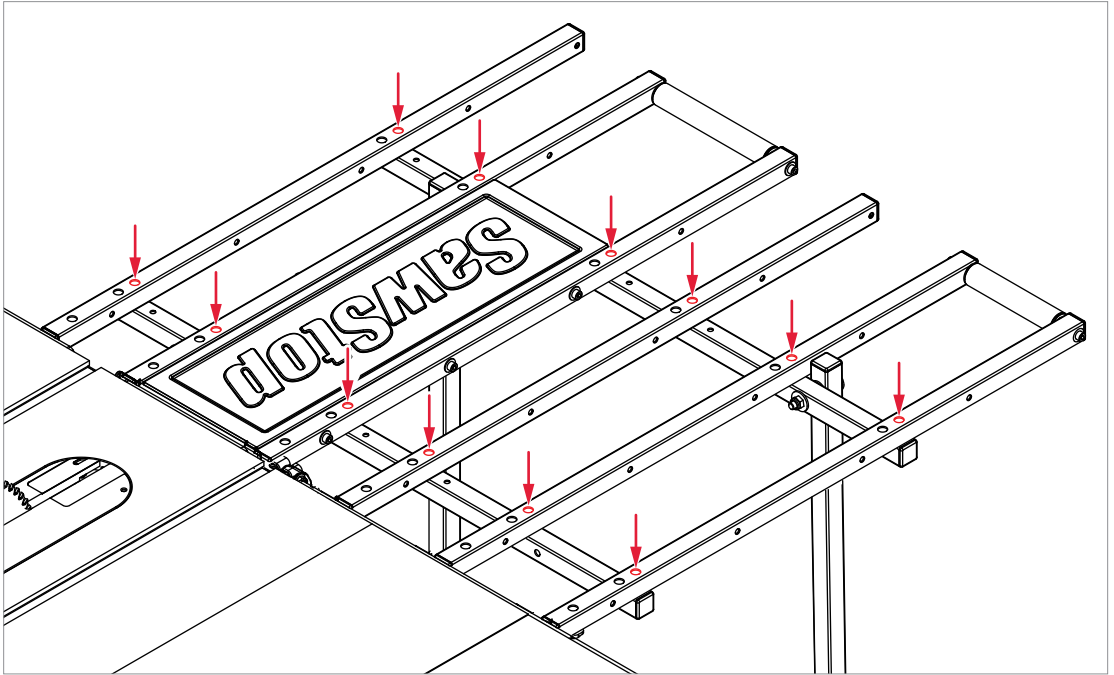


Fig. 53

Congratulations! Assembly of your Folding Outfeed Table is complete.

INSTALLING ON A 36" SAW WITH OVERARM DUST COLLECTION

PAGES:
50-51

On any 36" Professional Cabinet Saw or Industrial Cabinet Saw, the Folding Outfeed Table and the TSA-ODC Overarm Dust Collection system are both mounted on the rear rail. For both to mount on the rail as required, while allowing for folding of the TSA-FOT, you must either:

1. Cut the lower Overarm Dust Collection Tube (Procedure listed below)

- or -

2. Shift the Overarm Dust Collection to the right, extending it 12" past the end of your extension table (Procedure listed on the next page).

To cut the lower TSA-ODC tube:

Measure 12" from the end of the lower tube, mark the measurement. Cut the tube at the 12" mark. Install the TSA-ODC per its provided instructions ([see Fig. 54](#)).

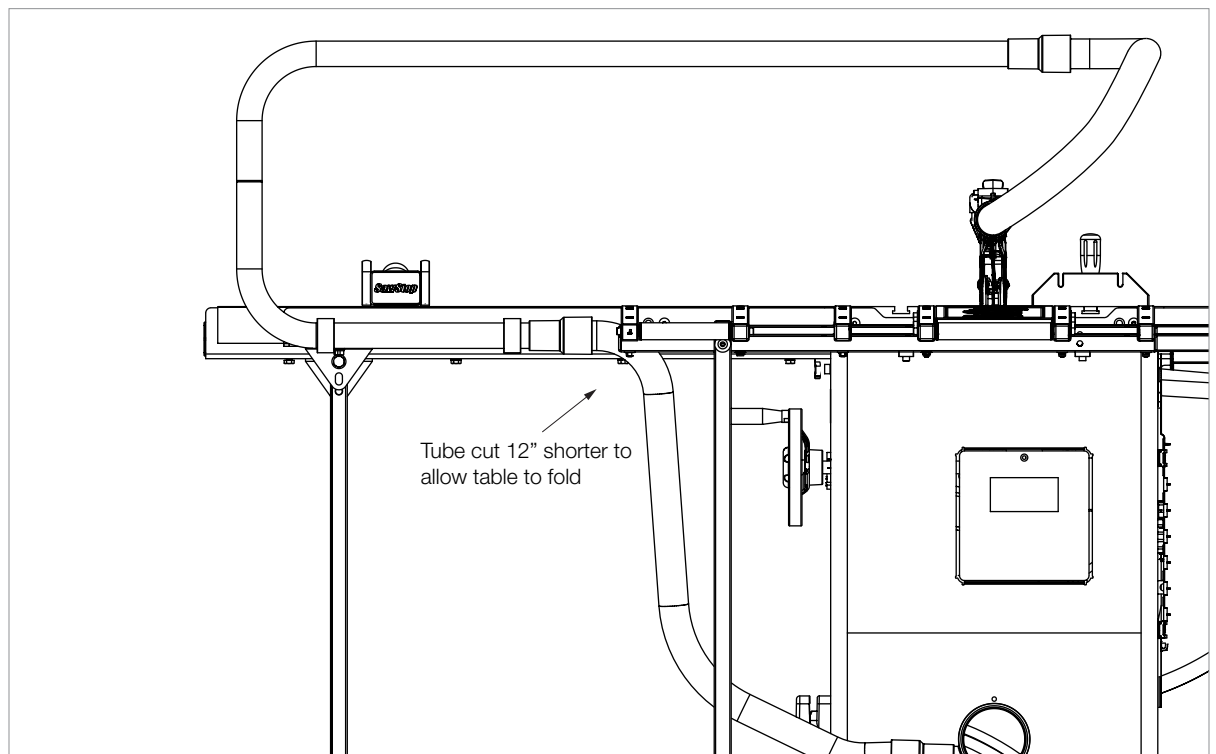


Fig. 54

To shift the TSA-ODC to the right:

Install the TSA-ODC per its provided instructions, with one modification: Place the tube clamps near the end of the rear rail, allowing the tube to extend 12" from the edge of your extension table (see Fig. 55).

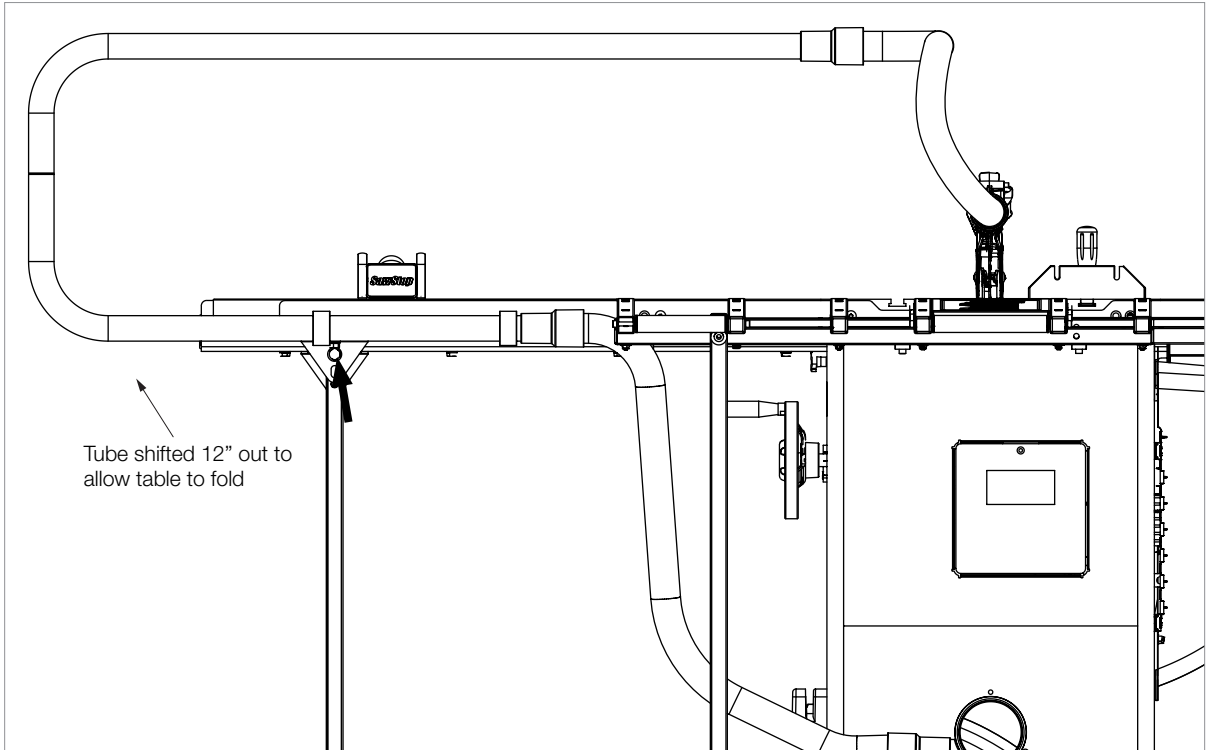


Fig. 55

POSITIONING THE OUTFEED TABLE IN THE FOLDED POSITION

On ICS or PCS Saws:

To store your saw with the smallest footprint possible, position your outfeed table in its folded position. To do this, pivot the support legs to fold inward under the table and lower the table down into its folded resting position.

To reset your Folding Outfeed Table to its functioning position, be sure to first move and secure your saw in your desired location, raise the Folding Outfeed Table to the saw table height, and pivot both of the support legs down so that the leveling feet rest on the ground. To adjust the height of the Folding Outfeed Table, screw the leveling feet in or out of the support legs as needed and secure them into position by screwing the hex nut snug against the bottom of the support leg.

Warranty

SawStop warrants to the original retail purchaser of a new Folding Outfeed Table from an authorized SawStop distributor that the Folding Outfeed Table system will be free from defects in material and workmanship for ONE YEAR from the date of purchase. SawStop warrants to the original retail purchaser of a refurbished, demonstration or floor model Folding Outfeed Table from an authorized SawStop distributor that the Folding Outfeed Table system will be free from defects in material and workmanship for SIX MONTHS from the date of purchase.

This warranty does not apply to defects arising from misuse, abuse, negligence, accidents, normal wear-and-tear, unauthorized repair or alteration, or lack of maintenance. This warranty is void if the Folding Outfeed Table system or any portion of the Folding Outfeed Table system is modified without the prior written permission of SawStop, LLC, or if the Folding Outfeed Table system is located or has been used outside of the country where the authorized SawStop distributor from whom the Folding Outfeed Table system was purchased resides.

Please contact SawStop to take advantage of this warranty. If SawStop determines the Folding Outfeed Table system is defective in material or workmanship, and not due to misuse, abuse, negligence, accidents, normal wear-and-tear, unauthorized repair or alteration, or lack of maintenance, then SawStop will, at its expense and upon proof of purchase, send replacement parts to the original retail purchaser necessary to cure the defect. Alternatively, SawStop will repair the Folding Outfeed Table system provided it is returned to SawStop, shipping prepaid, with proof of purchase and within the warranty period.

SawStop disclaims any and all other express or implied warranties, including merchantability and fitness for a particular purpose. SawStop shall not be liable for death, injuries to persons or property, or incidental, consequential, contingent or special damages arising from the use of the Folding Outfeed Table system.

This warranty gives you specific legal rights. You may have other rights which, in the United States, vary from state to state.

Safety

A table saw is a dangerous tool and there are hazards inherent with using your saw. Some of these hazards are discussed below. Use common sense when operating the saw and Folding Outfeed Table system and use them only as instructed.

You are responsible for your own safety!

Warnings

1. Read and understand the instruction manual and all safety warnings before operating the saw and Folding Outfeed Table. Failure to follow instructions or heed warnings may result in electric shock, fire, serious personal injury or property damage. Save these instructions and refer to them whenever necessary.
2. **WARNING:** This product contains one or more chemicals known to the State of California to cause cancer and birth defects or other reproductive harm. In addition, some types of dust created by sawing, power sanding, grinding, drilling, and other construction activities also contain chemicals known to cause cancer, birth defects or other reproductive harm. Some examples of these chemicals are lead from lead-based paints, crystalline silica from bricks, cement, and other masonry products, and arsenic and chromium from chemically treated lumber. In addition, wood dust has been listed as a known human carcinogen by the U.S. government. The risk from exposure to these chemicals and to dust varies depending on how often you do this type of work. To reduce your exposure, work in a well ventilated area and work with approved safety equipment including dust masks or respirators designed to filter out such dust and chemicals.
3. Keep guards in place and in working order. Use the blade guard and spreader for every operation for which it can be used, including all-through sawing. Use a push stick when required.
4. Wear proper apparel when using the saw and Folding Outfeed Table. Do not wear loose clothing, gloves, neckties, rings, bracelets, or other jewelry which may get caught in moving parts. Non-slip footwear is recommended. Wear a

protective hair covering to contain long hair.

5. Always wear safety glasses when using the saw. Also use a face or dust mask if the cutting operation is dusty. Everyday eyeglasses are not safety glasses.
6. Keep hands out of the line of the saw blade. Never reach around or over the saw blade. Keep proper footing and balance at all times.
7. Maintain the Folding Outfeed Table as specified in this manual. Use only identical replacement parts when servicing the Folding Outfeed Table.
8. Turn the power disconnect switch to OFF before servicing the saw and/or Folding Outfeed Table. Always ensure the power is OFF before changing components or accessories such as blades, brake cartridges, and the like.
9. Check to make sure the saw and Folding Outfeed Table are in proper working order before using them. For example, check the alignment of moving parts, look to see whether moving parts are binding or rubbing, check to see whether parts are broken, make sure accessories are properly mounted in the saw, and check any other conditions that may affect the operation of the saw or Folding Outfeed Table. Any parts that are damaged should be properly repaired or replaced.
10. Never use the Folding Outfeed Table if your saw is raised off the floor (i.e. if the wheels on a mobile base are supporting the saw).

This page is intentionally blank.

Exploded View

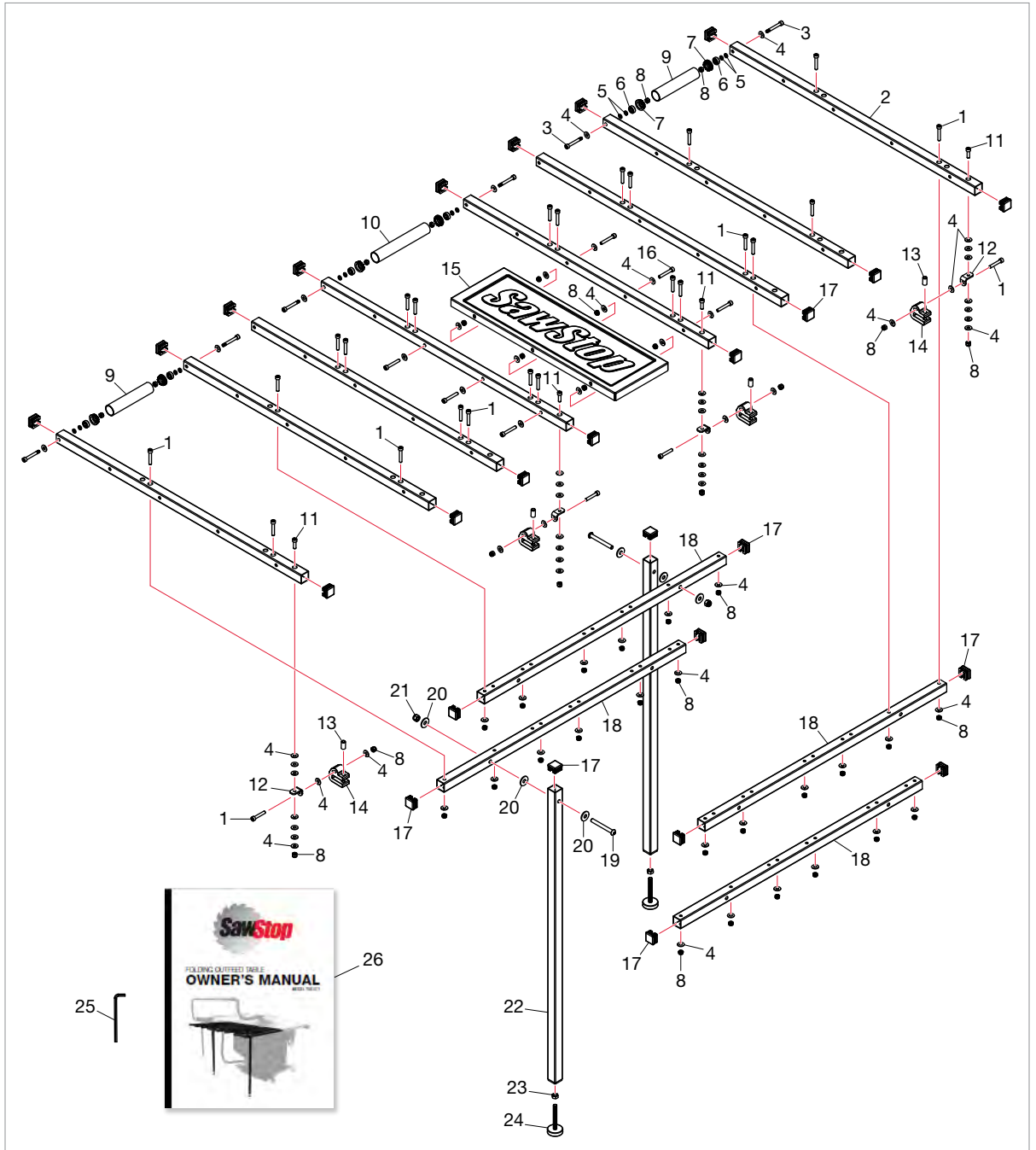


Fig. 56

Parts List

No.	Description	Part No.	Qty.
	Folding Outfeed Table	TSA-FOT	1
1	M6 x 1.0 x 35 Socket Head Cap Screw	TSA-FOT-001	28
2	Table Tube	TSA-FOT-002	8
3	M6 x 1.0 x 45 Socket Head Cap Screw	TSA-FOT-003	6
4	M6 x 16 x 1 Washer	TSA-FOT-004	78
5	M6 x 10 x 1 Washer	TSA-FOT-005	12
6	6mm ID x 17mm OD Ball Bearing	TSA-FOT-006	6
7	Table Roller Bushing	TSA-FOT-007	6
8	M6 x 1.0 Lock Nut	TSA-FOT-008	44
9	Small Table Roller	TSA-FOT-009	2
10	Large Table Roller	TSA-FOT-010	1
11	M6 x 1.0 x 20 Socket Head Cap Screw	TSA-FOT-011	4
12	Clamp Mounting Bracket	TSA-FOT-012	4
13	M10 x 1.5 x 20 Set Screw	TSA-FOT-013	4
14	Rear Rail Clamp	TSA-FOT-014	4
15	Insert Table	TSA-FOT-015	1
16	M6 x 1.0 x 40 Socket Head Cap Screw	TSA-FOT-016	6
17	Tube End Cap	TSA-FOT-017	26
18	Table Support Tube	TSA-FOT-018	4
19	M8 x 1.25 x 70 Button Head Socket Screw	TSA-FOT-019	2
20	M8 x 20 x 2 Washer	TSA-FOT-020	6
21	M8 x 1.25 x 9 Lock Nut	TSA-FOT-021	2
22	Support Leg	TSA-FOT-022	2
23	M8 x 1.25 Hex Nut	TSA-FOT-023	2
24	Leveling Foot	TSA-FOT-024	2
25	5mm Hex L-Wrench	TSA-FOT-025	1
26	Folding Outfeed Table Owner's Manual	TSA-FOT-026	1
	Folding Outfeed Table Hardware Pack	TSA-FOT-033	1

Replacement Roller Kits

The following replacement roller kits are available for use with your SawStop Folding Outfeed Table. Contact your local authorized SawStop Dealer or visit www.sawstop.com for more information.

- Small Table Roller Kit

P/N: TSA-FOT-027

Parts and Hardware Included:

- M6 x 1.0 x 45 Socket Head Cap Screw (2)
- M6 x 16 x 1 Washer (2)
- M6 x 10 x 1 Washer (4)
- 6mm ID x 17mm OD Ball Bearing (2)
- Table Roller Bushing (2)
- M6 x 1.0 Lock Nut (2)
- Small Table Roller (1)

- Large Table Roller Kit

P/N: TSA-FOT-028

Parts and Hardware Included:

- M6 x 1.0 x 45 Socket Head Cap Screw (2)
- M6 x 16 x 1 Washer (2)
- M6 x 10 x 1 Washer (4)
- 6mm ID x 17mm OD Ball Bearing (2)
- Table Roller Bushing (2)
- M6 x 1.0 Lock Nut (2)
- Large Table Roller (1)

SawStop, LLC
11555 SW Myslony St | Tualatin, Oregon 97062 USA
www.sawstop.com

Main Phone: (503) 570-3200

Service: (503) 582-9934

Fax: (503) 570-3303

Email: info@sawstop.com