



ROUTER LIFT

OWNER'S MANUAL

MODEL RT-LFT



Copyright SawStop, LLC
All Rights Reserved

3rd printing, July 2019

Updates of this manual may be
available at www.sawstop.com

SawStop, the SawStop blade logo, and the configuration of this product are either registered trademarks or trademarks of SawStop, LLC. Software copyright by SawStop, LLC. All rights reserved.

TO OUR CUSTOMERS

Thank you for purchasing the SawStop Four-Post Router Lift with Lock and/or Downdraft Dust Collection Box. We are confident you will be pleased with the quality and performance.

This manual tells you more about the Router Lift, Downdraft Dust Collection Box, and how to operate and maintain them. Please read the manual carefully. The manual also includes our warranty and important safety information.

If you ever have any questions or comments, feel free to contact us at the address below.

SawStop, LLC
11555 SW Myslony Street | Tualatin, Oregon 97062 USA

Phone: (503) 570-3200

Fax: (503) 570-3303

Email: info@sawstop.com

www.sawstop.com

HOW TO GET HELP

Missing Parts? Have Questions?

Our technical support team is standing by
M-F, 6:30am-5pm PST
to help with whatever you need.



Give us a call at
503.582.9934



Email us at
SERVICE@SAWSTOP.COM



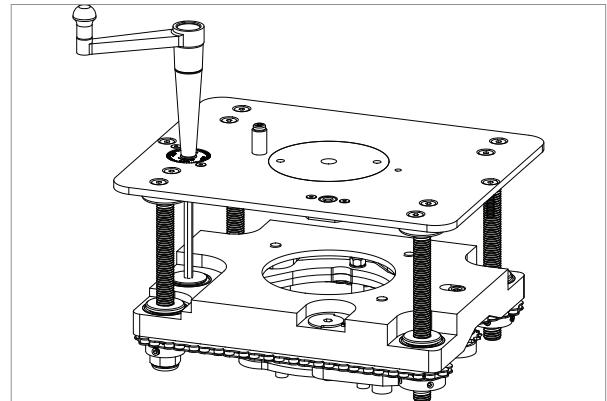
TABLE OF CONTENTS

Product Specifications.....	1
Parts Inventory.....	2
Parts & Hardware Lists.....	2
Assembling the Router Lift and Installing the Router.....	5
Router Lift Maintenance and Adjustments.....	12
Adjusting the Elevation Chain Tension.....	12
Assembling the Downdraft Dust Collection Box.....	14
Operations.....	18
Safety for the Downdraft Dust Collection Box.....	18
Reference.....	19
Warranty.....	19
Safety.....	20
Warnings.....	20
Exploded View 1: Router Lift.....	23
Parts List 1: Router Lift.....	24
Exploded View 2: Downdraft Dust Collection Box.....	27
Parts List 2: Downdraft Dust Collection Box.....	28
Available Accessories.....	29

PRODUCT SPECIFICATIONS

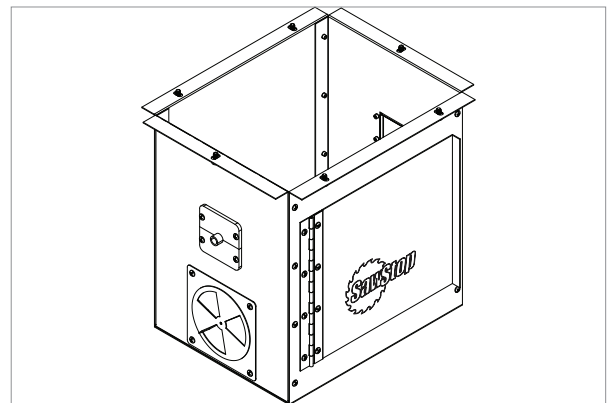
The SawStop Router Lift is compatible with SawStop Router Tables.

Four-Post Router Lift with Lock	
Aluminum Router Plate	11 3/4" x 9 1/4"
Phenolic Insert Ring	3 3/4" Diameter
Maximum Router Diameter	4.20"
Minimum Router Diameter	3 1/4"



The Downdraft Dust Collection Box is compatible with the SawStop Router Lift (RT-LFT) and SawStop Router Tables.

Downdraft Dust Collection Box	
Dust Box Dimensions	L 13" x W 10" x H 13 3/4"
Dust Box Footprint	14 3/4" x 12"



Parts and Hardware Lists

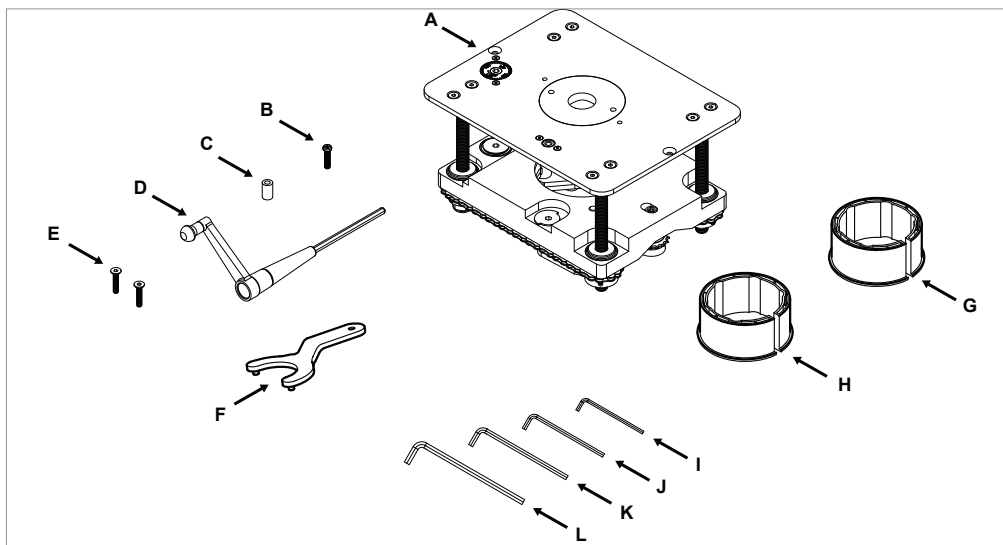
The Router Lift and Downdraft Dust Collection Box are shipped partially assembled. Please unpack the parts carefully and confirm you have received each item on the list below.



IF YOU CANNOT FIND AN ITEM ON THIS LIST, CHECK THE MOUNTING LOCATIONS OR EXAMINE THE PACKAGING MATERIALS VERY CAREFULLY. CERTAIN COMPONENTS MAY HAVE BEEN PRE-INSTALLED FOR SHIPPING PURPOSES.

Four-Post Router Lift with Lock

- | | |
|---|---|
| A. Router Lift with 1-½” Phenolic Router Table Insert Ring (1) | G. 3.5” Router Reducer Collar (2) |
| B. M6 x 1.0 x 25 Pan Head Phillips Screw (1) | H. 3.25” Router Reducer Collar (1) |
| C. Starting Pin Sleeve (1) | I. 2.5mm Hex L-wrench (1) |
| D. Elevation Handle Assembly (1) | J. 3mm Hex L-wrench (1) |
| E. M6 x 1.0 x 30 Flat Head Socket Screw (2) | K. 4mm Hex L-wrench (1) |
| F. Insert Wrench (1) | L. 6mm Hex L-wrench (1) |



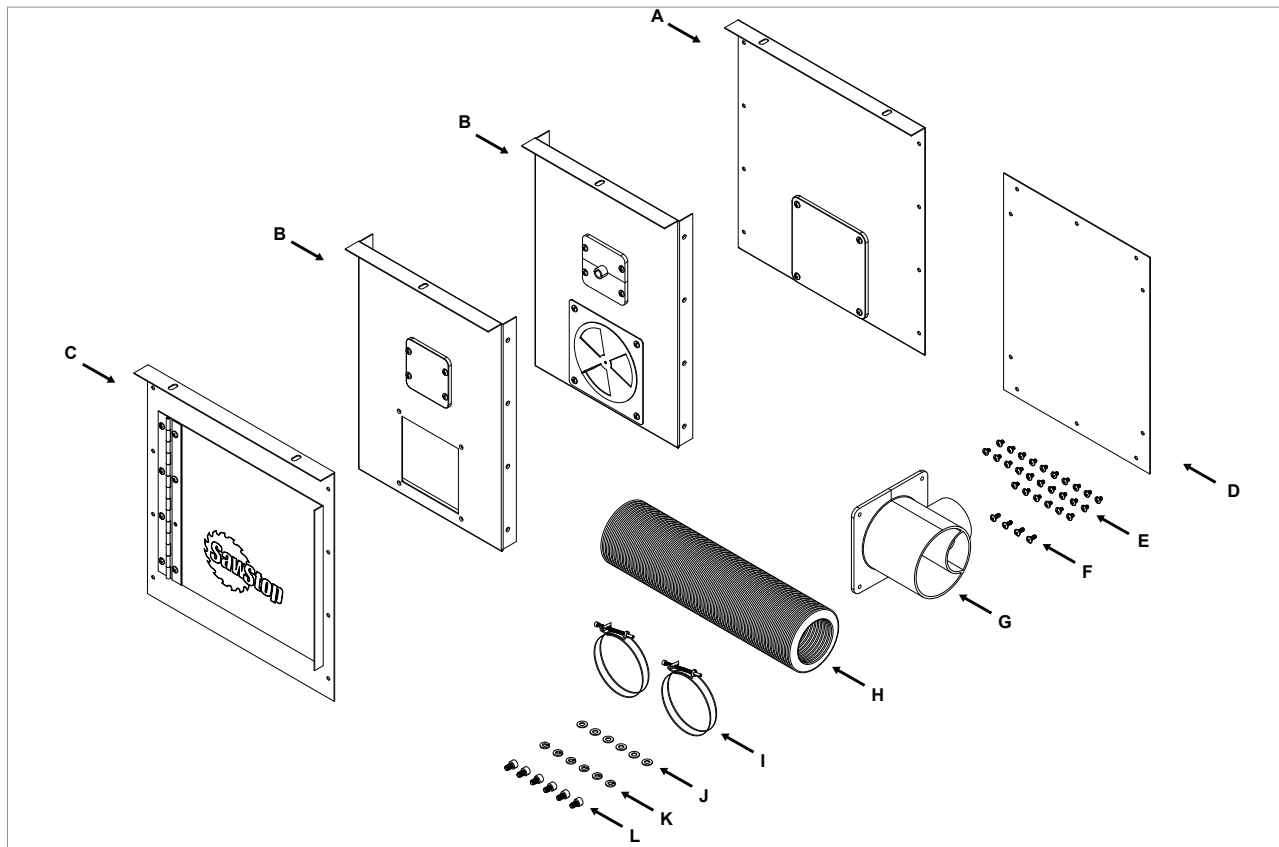
You will also need the following tools to complete the router lift assembly and installation:

- Phillips Head Screwdriver
- 8mm Hex Wrench
- 4mm Hex Wrench (Included)
- 10mm Wrench

See Exploded View #1 on page 23 for more information.

Downdraft Dust Collection Box

- A.** Rear Panel (1)
- B.** Side Panel (2)
- C.** Front Panel (1)
- D.** Bottom Panel (1)
- E.** M4 x 0.7 x 6 Truss Head Phillips Screw (26)
- F.** M4 x 0.7 x 10 Truss Head Phillips Screw (4)
- G.** Dust Port Splitter (1)
- H.** Dust Collection Hose (1)
- I.** Wire Hose Clamp (2)
- J.** M6 x 13 x 1 Washer (6)
- K.** M6 Lock Washer (6)
- L.** M6 x 1.0 x 12 Hex Head Bolt (6)



You will also need the following tools to complete the dust collection box assembly and installation:

- Phillips Head Screwdriver
- 10mm Wrench

See Exploded View #2 on page 27 for more information.



Important Part Identification Note:

Throughout the manual, the exploded views are referenced to clarify the location and name of each part. **There are multiple exploded views in this manual, so a decimal point system is used.** The number before the decimal point refers to the exploded view number (in this case, 1 and 2). The number after the decimal point refers to the part number (as indicated by the number in the balloon in the exploded view). For example, a part referenced as “1.1” would be the part labeled with a “1.1” balloon in the exploded view #1.

- Exploded View #1: Four-Post Router Lift with Lock – See page 23
- Exploded View #2: Downdraft Dust Collection Box – See page 27

ASSEMBLING THE ROUTER LIFT AND INSTALLING THE ROUTER

PAGES:
5-11

Requires: Router Lift (RT-LFT) and Accompanying Components

10mm Wrench

8mm Hex Wrench

4mm Hex Wrench

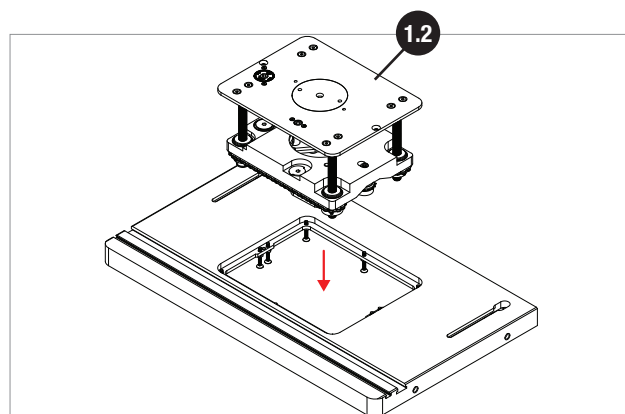
Phillips Screwdriver

Level or Straightedge

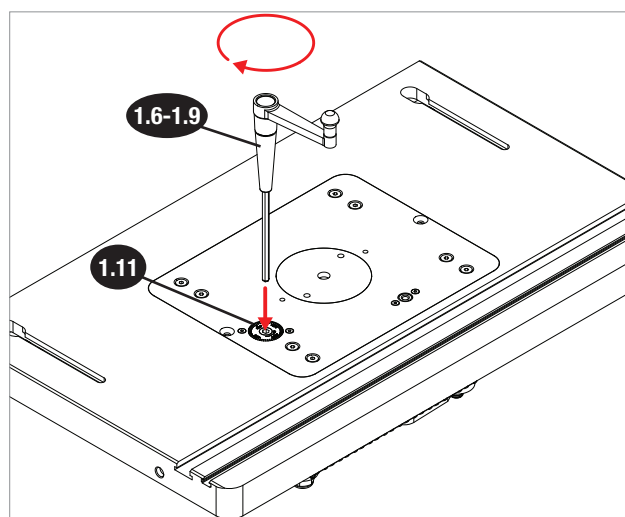


The clamp on the router lift can accommodate a router up to 4.2" in diameter. For smaller routers, you may need to use the 3.5" router reducer collar (1.53) or the 3.25" router reducer collar (1.54) between your router and the clamp (1.41) on the router lift.

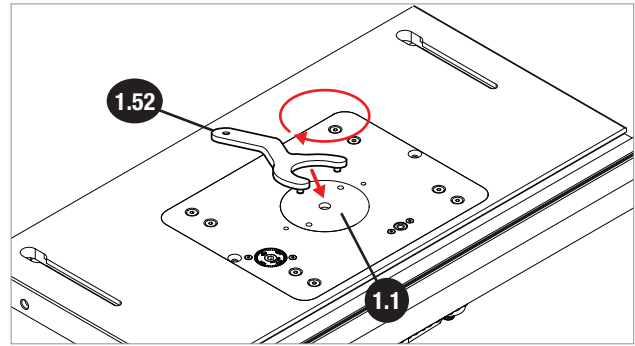
- 1 Set the router lift into the opening in your router table, so the underside of the aluminum router plate (1.2) rests on the table's leveling screws.



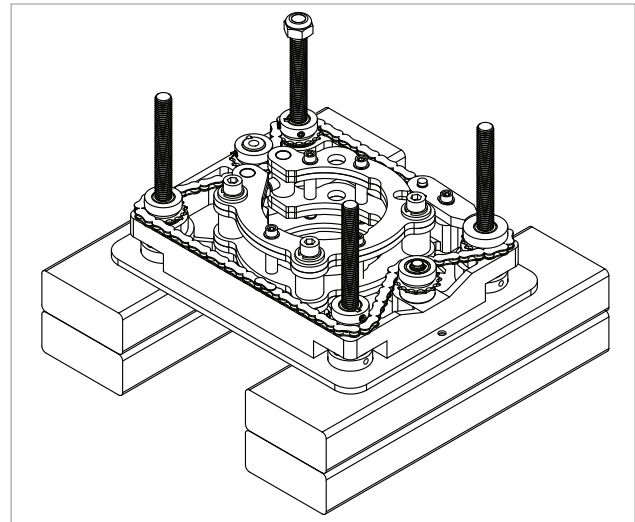
- 2 Insert the elevation handle (1.6-1.9) into the scale plate (1.11) in the router plate. Ensure the handle is fully seated. Turn the handle clockwise to raise the router lift to its maximum elevation, then remove the elevation handle and set it aside.



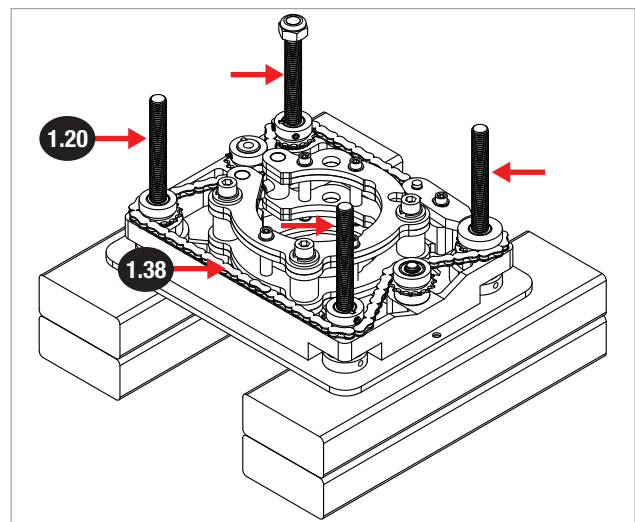
3 Next, use the insert wrench (1.52) to remove the 1-½” phenolic router table insert ring (1.1) to keep it from being damaged during installation of the router.



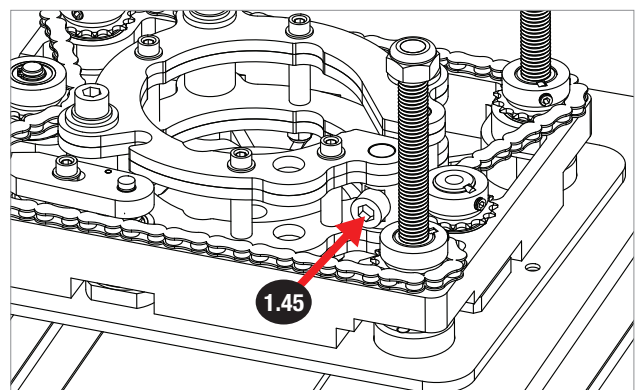
4 Using sturdy, soft scrap wood pieces or 2x4's, remove the router lift from the opening in your router table and place it upside-down on the wood pieces. Be sure to use sturdy wood pieces on a secure work surface. Use enough wood pieces to allow a minimum of approximately 2 ½” of space to install the router. Using wood to support the router lift will help prevent any scratching of the lift plate. Carefully clean the router lift as needed.



5 The threaded elevation rods (1.20) and elevation chain (1.38) are coated with a protective lubricant for shipping. This lubricant should be removed prior to using the router lift. To remove, spray a solvent onto the threaded elevation rods and elevation chain and use a cloth to wipe away the lubricant. Apply dry lubricant to the threaded elevation rods and elevation chain.

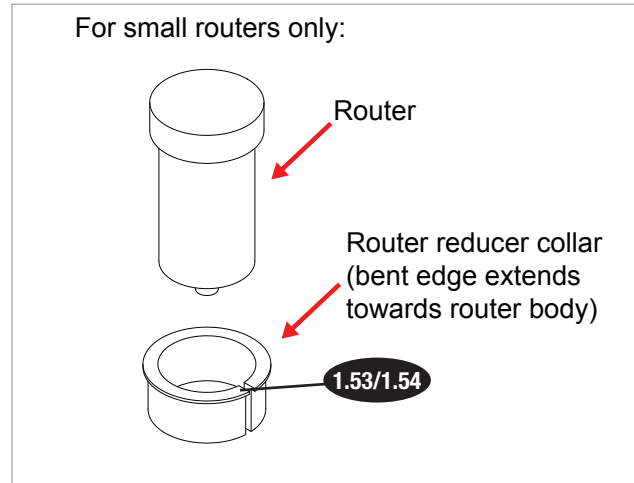


6 Install your router in the clamp in the router lift. Use an 8mm hex wrench to loosen the socket head cap screw (1.45) securing the clamp. You may want to loosen the hex jam nuts (1.43) on the screw to help open the clamp (refer to exploded view on page 23 for clearer view of hex jam nuts).



7

If your router is significantly smaller than the diameter of the clamp, use a router reducer collar so the clamp can hold your router more securely. To install, slide either the 3.5" or 3.25" router reducer collar (1.53 or 1.54) onto your router, with the bent edge of the collar extending towards the router body (away from the collet of your router).



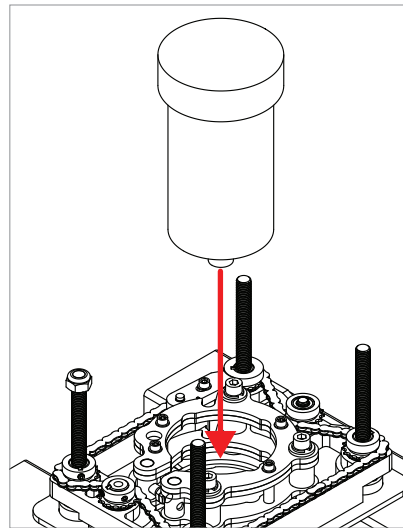
i

Some routers have small projections on the motor housing. The clamp and router reducer collars have semicircular indentations to accommodate the projections. You may need to turn your router so the projections line up with the indentations in the clamp (and router reducer collar, if installed) in order to install your router.

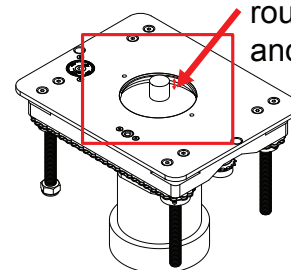
8

Slide your router (or router and reducer collar) into the opening in the clamp, until the top of the router body is close to, but not touching, the underside of the aluminum router plate. If you installed a router reducer collar on the router, the bent edge on the collar should rest against what is currently the top edge of the clamp.

You may need to adjust the height of the router in the router reducer collar in order to make sure that the router is close to, but not touching, the underside of the aluminum router plate.

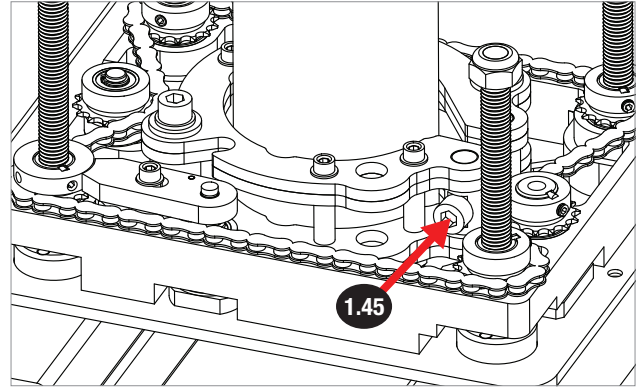


Short distance between top of router body and router plate



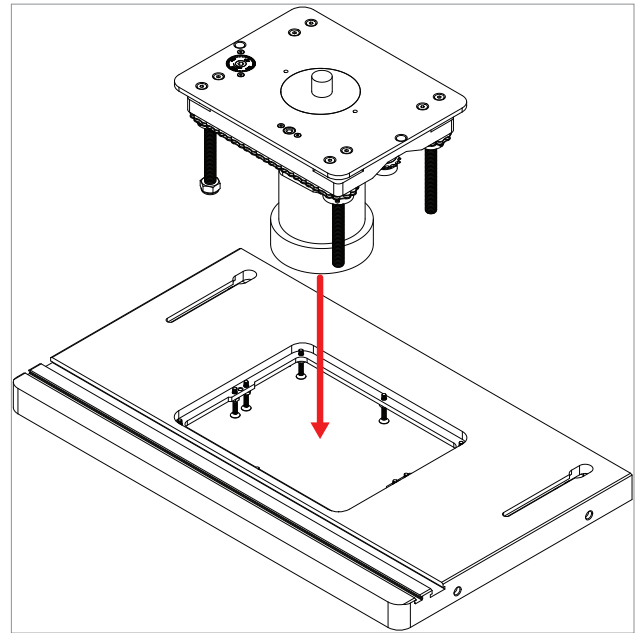
9

Use an 8mm hex wrench to tighten the socket head cap screw (1.45) and secure the router. Check to make sure that the router is securely held in the clamp by trying to lift and twist the router.



10

Turn the router lift over and install in the opening of the router table so the leveling screws in the router table support the underside of the aluminum router plate. The collet of the router should extend above the top surface of the aluminum router plate, but there should be a small gap between the top of the router and the underside of the aluminum router plate. The router bit should be able to be changed at this router elevation.

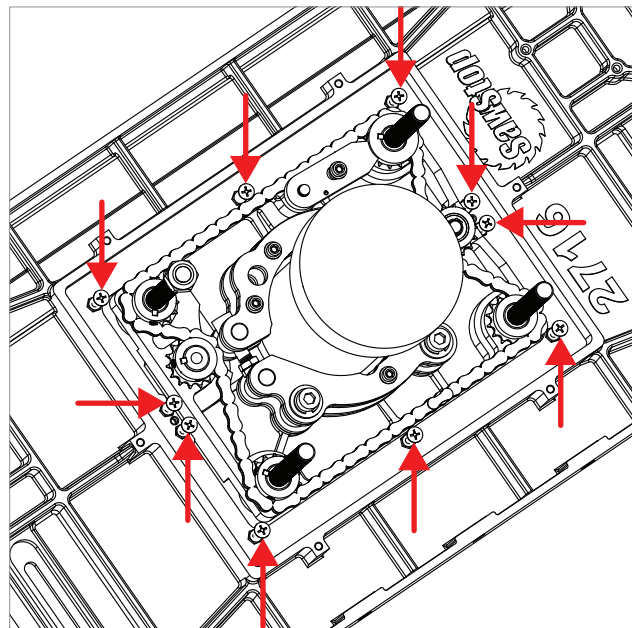
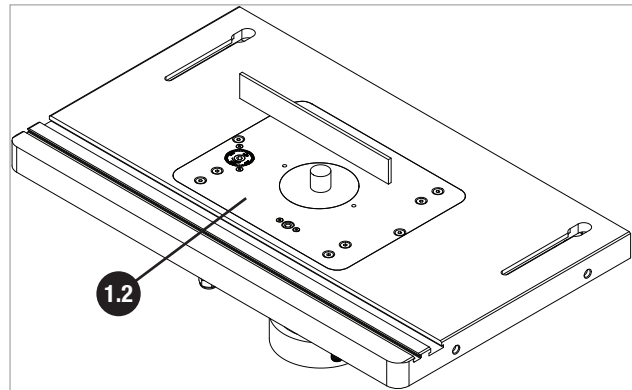


NEVER PERFORM ANY MAINTENANCE OR ADJUSTMENTS ON YOUR ROUTER, ROUTER TABLE, LIFT, STAND, OR SAW UNLESS THE ROUTER IS SAFELY UNPLUGGED.

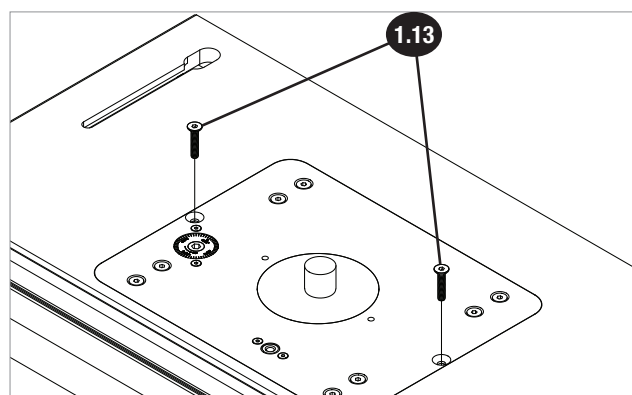
11

Lay a straight edge across the router table top so that it extends over the top of the aluminum router plate (1.2). Use a Phillips screwdriver to adjust the leveling screws in the router table, indicated by the red arrows, until the aluminum router plate is flush with the router table top. Check all four edges of the aluminum router plate. If necessary, use a 10mm wrench to loosen the hex nuts securing the leveling screws in the router table. Retighten the hex nuts when you have finished leveling the aluminum router plate.

If you have a Downdraft Dust Collection Box (RT-DCB) installed, you can access the underside of your router table by opening the router access door in the box.

**12**

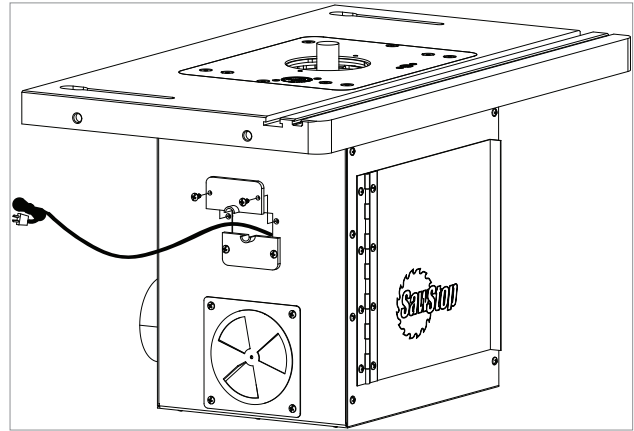
Once the aluminum router plate is flush with the router table top, thread a flat head socket screw (1.13) into each of the exposed holes on the edges of the aluminum router plate. Use a 4mm hex wrench to tighten the screws. Recheck the alignment of the aluminum router plate and make any necessary adjustments.



13

If you have the Downdraft Dust Collection Box (RT-DCB) installed under your router table, pass the power cord of your router through the power cord clamp in the side of the Downdraft Dust Collection Box.

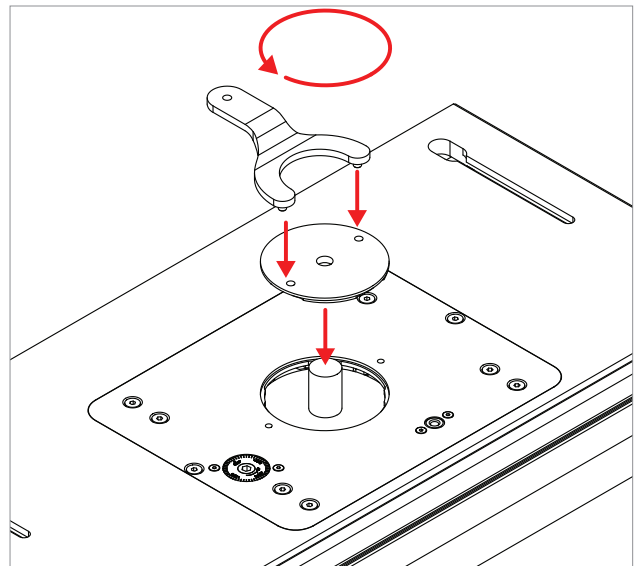
Use a Phillips screwdriver to remove the screws holding either the top or bottom half of the clamp. Move that half of the clamp out of the way to pass the power cord through the clamp, then replace the removed half-clamp and re-install the screws.



Leave enough excess power cord (i.e., approximately 18") between the bottom of the router and the power cord clamp to allow the router and router lift to be lifted all the way out of the opening in the router table.

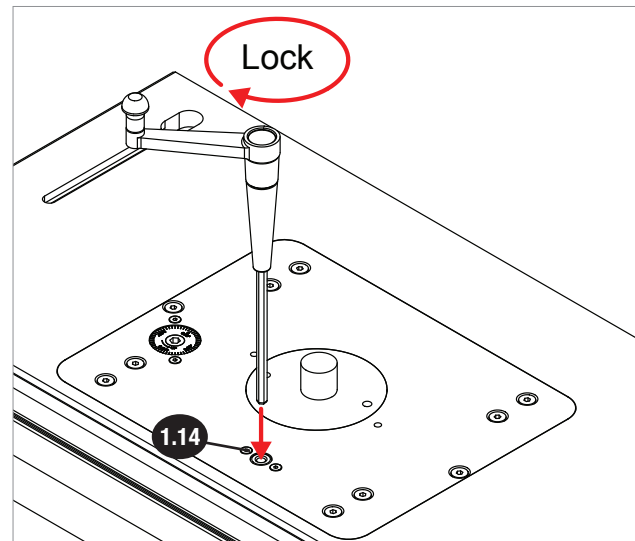
14

Turn the insert ring counter-clockwise to reinstall.



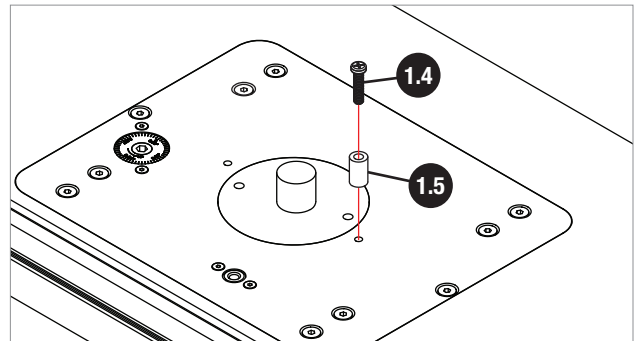
15

In order to lock the router lift elevation, insert the elevation handle through the elevation lock upper guide bushing (1.14) near the front of the aluminum router plate, and turn it clockwise to lock the lift. Repeat this process in reverse to unlock the router lift.



16

Optional step: To do template routing or freehand routing, insert a pan head Phillips screw (1.4) through the starting pin sleeve (1.5), then thread the screw into either of the threaded holes in the aluminum router plate just to the sides of the insert ring.



THE STARTING PIN SHOULD ONLY BE USED FOR TEMPLATE ROUTING OR FREEHAND ROUTING.

Congratulations! You have completed the Router Lift assembly and installation.

- 1 Periodically apply dry lubricant to the threaded elevation shafts and elevation chain of the router lift.
- 2 If your router lift is not holding the router up (i.e. the carriage plate and router are creeping down when the lift is not locked), the tension on the elevation chain may need to be increased.

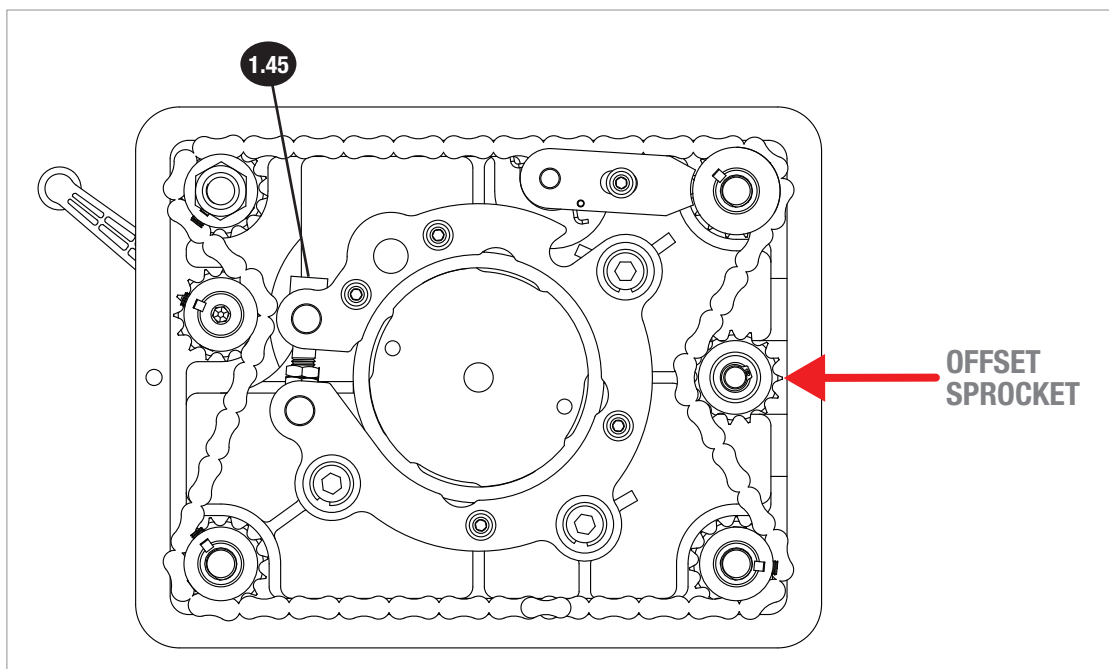
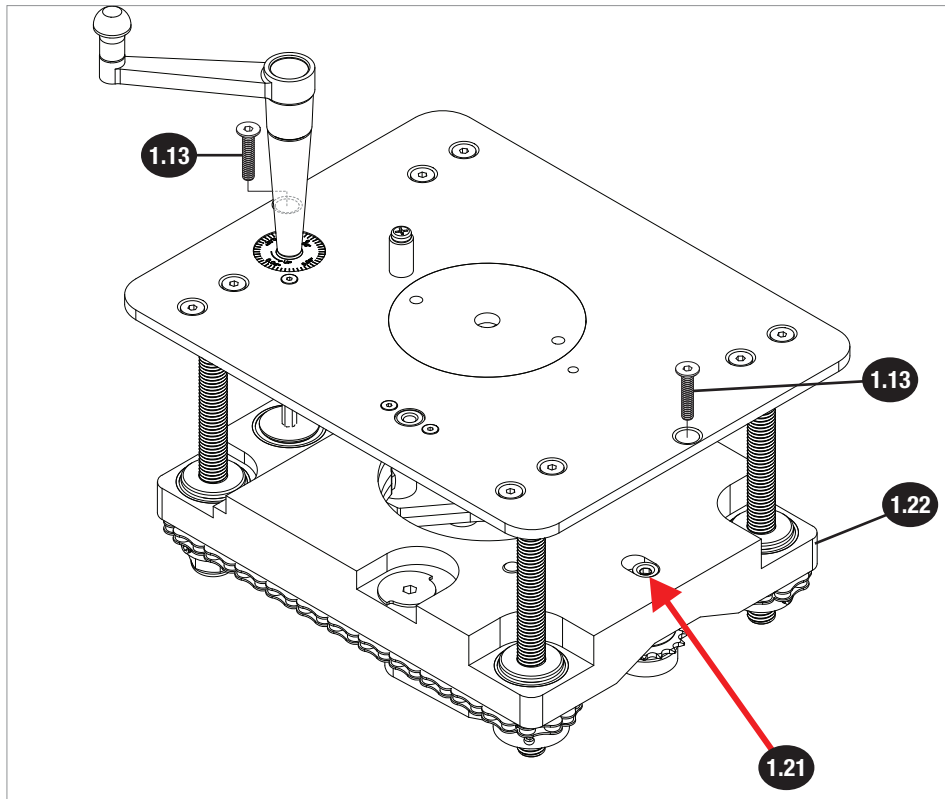
However, before you adjust the tension on the elevation chain, first check the tension on the router clamp by tightening the socket head cap screw (1.45) in the router clamp. If that does not fix the problem, proceed with adjusting the tension on the elevation chain by following the instructions below.

Adjusting the Elevation Chain Tension

Requires: 4mm hex wrench
6mm hex wrench

- 1 Use the elevation handle to lower the lift to its minimum elevation.
- 2 Use a 4mm hex wrench to remove the two flat head socket screws (1.13) securing the aluminum router plate to the router table. Set the screws and hex wrench aside.
- 3 Lift the router lift (and router, if installed) out of the router table. Turn the router lift over, and set it back into the table upside-down. The elevation chain should now be exposed and easily accessible.
- 4 Use a 6mm hex wrench to slightly loosen the socket head cap screw (1.21) in the elongated hole in the carriage plate (1.22). The head of the screw is currently on the underside of the carriage plate, underneath the sprocket that is offset from the other five sprockets. Refer to the figures on page 13 for reference.
- 5 Slide the socket head cap screw in the elongated hole in the carriage plate by pushing the sprocket away from the outer edge of the carriage plate. This will increase the tension on the elevation chain.

- 6 Hold the sprocket in place and use a 6mm hex wrench to tighten the socket head cap screw (1.21) to secure the sprocket.
- 7 Turn the router lift back over and reinstall it in the router table using the two flat head socket screws (1.13).



ASSEMBLING THE DOWNDRAFT DUST COLLECTION BOX

PAGES:
14-17

Requires: Downdraft Dust Collection Box (RT-DCB) Hardware

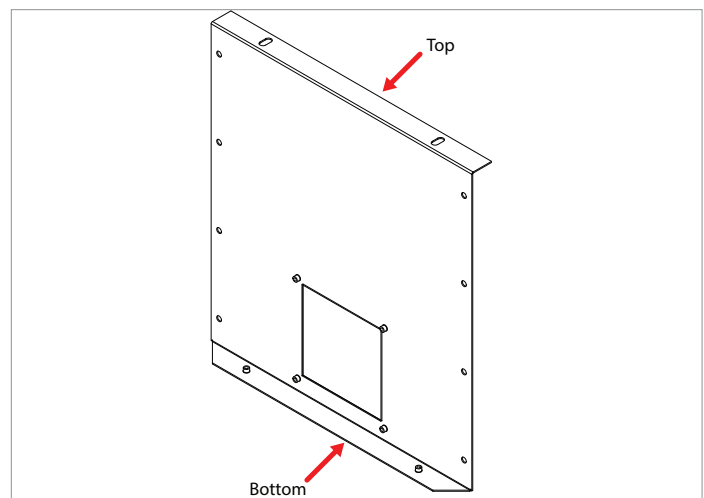
Downdraft Dust Collection Box Parts

Phillips Screwdriver

10mm Wrench

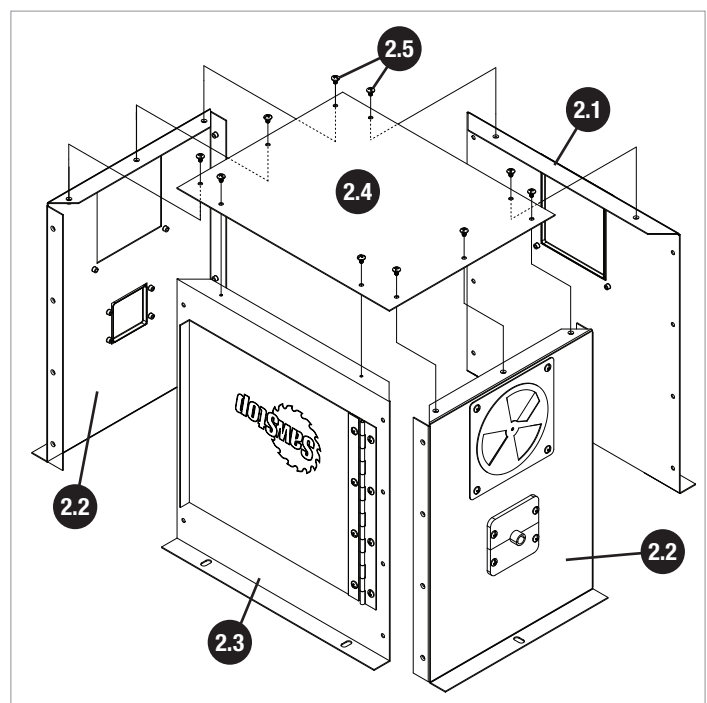
The Downdraft Dust Collection Box is compatible with all SawStop Router Tables, and all have the same installation procedure. *27" x 16" Table shown for reference.*

1 Assemble the Downdraft Dust Collection Box upside down (so the bottom panel is on top). The front, rear, and side panels each have two bent edges extending in opposite directions. The top edges have elongated holes, and the bottom edges have circular holes. The bottom edges will extend internally, and will serve as the mounting face for the bottom panel.



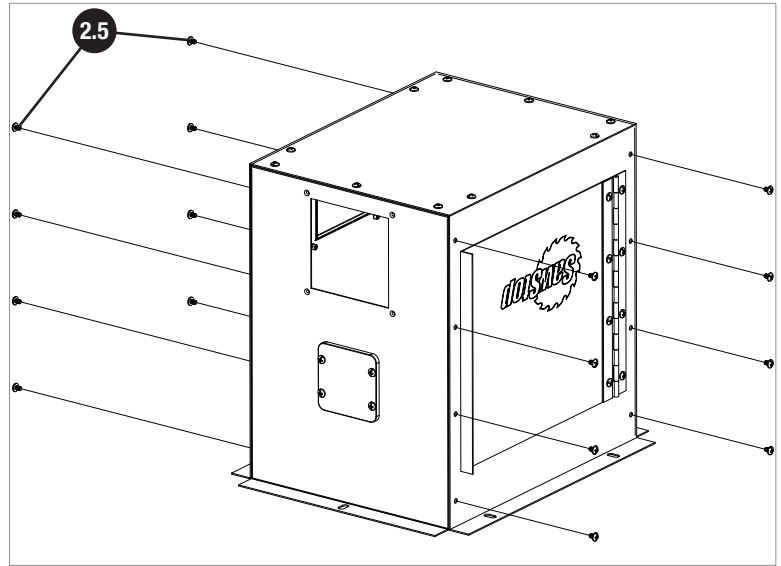
2 Mount the front, side, and rear panels (2.3, 2.2, and 2.1) to the bottom panel (2.4) using ten truss head Phillips screws (2.5). Tighten the screws with a Phillips screwdriver.

The side panels are identical, and can be installed on either side, although different components come pre-installed on each one. Decide which side(s) you want your dust hose and power cord to extend from, and make sure you install the panels that way. Refer to the note on page 16 and ensure that the motor cover on your saw does not interfere with the dust port splitter if you are installing your router table in-line on your saw.



3

Attach the front and rear panels to the side panels using four truss head Phillips screws (2.5) along each edge.

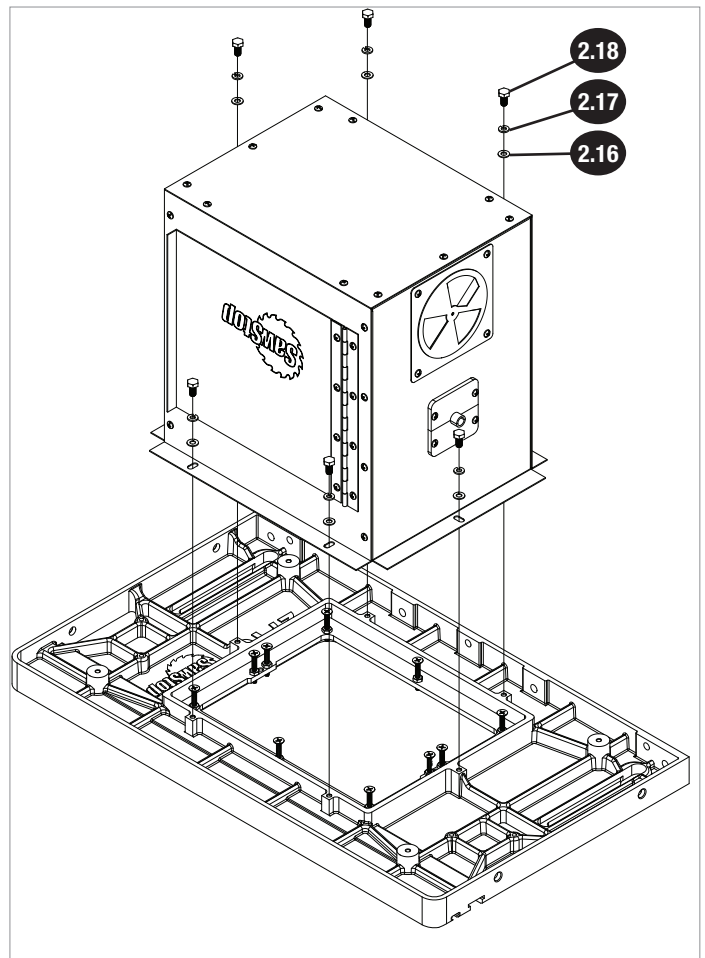


4

Attach the Downdraft Dust Collection Box to the underside of your router table. It may be helpful to temporarily turn your router table over, so the underside of the table faces up, but it is not required.

Position the Downdraft Dust Collection Box near the underside of the opening in your router table, so the six elongated holes in the top edge of the Downdraft Dust Collection Box align with the six Downdraft Dust Collection Box mounting holes in the underside of your router table. Insert a hex head bolt (2.18) through a lock washer (2.17) and a washer (2.16), then into one of the six exposed holes in the Downdraft Dust Collection Box and router table.

Repeat this process for the remaining five hex head bolts, lock washers, and washers. Use a 10mm wrench to tighten the bolts.



i

Important Note:

If you have already attached the benchtop stand to the underside of your 27" x 16" cast iron router table, **you may want to remove the rear panel of the stand to accommodate installation of the Downdraft Dust Collection Box**, and reattach the rear panel after the dust box is attached.

The power cord clamp (2.7) can be moved to the other side panel if desired (in which case you would switch the power cord port cover (2.12) and power cord clamp (2.7)). The adjustable vent (2.8), dust port splitter (2.13), and dust port cover (2.19) can each be removed and re-installed in any of the three large square holes in the side and rear panels.

For Benchtop Router Table (RT-BT) Installation: The dust port splitter must be installed on the rear panel, since the rear panel of the benchtop stand has a cutout to provide clearance for the dust port splitter.

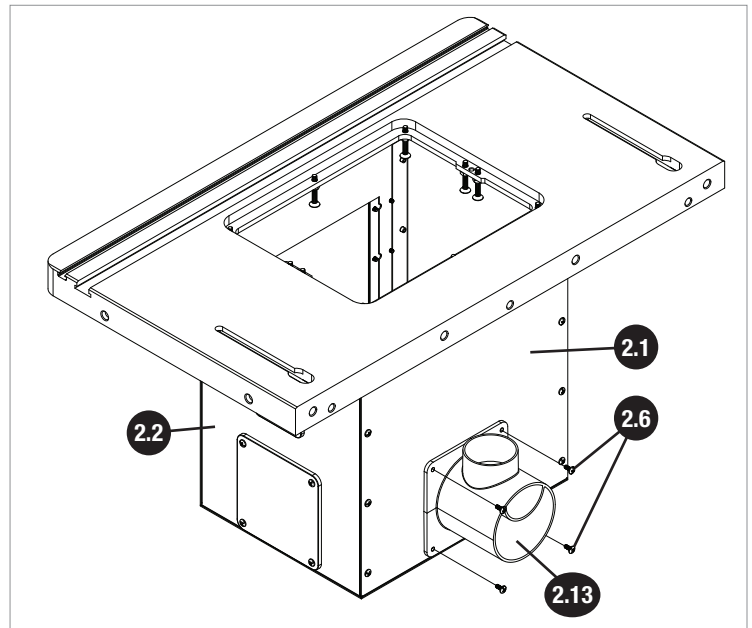


For Standalone (RT-FS or RT-PHFS) or TGP2 In-Line Router Table (RT-TGP) between-rails installation, panels can be configured to the user preference.

For TGP2 In-Line Router Table (RT-TGP) left of left wing installation: Be sure the dust port splitter will not interfere with the motor housing cover on your saw. If the dust port splitter will interfere with the motor housing cover, locate the splitter on one of the side panels, and move either the dust port cover or adjustable vent to the rear panel.

To relocate the dust port cover, adjustable vent, and/or dust port splitter, remove the four truss head Phillips screws (2.6) securing the dust port cover, adjustable vent, and/or dust port splitter (if it is already installed). Then, move the components to the desired locations and secure them using the same screws.

- 5** If you turned your router table over to install the Downdraft Dust Collection Box, turn it back over at this point and install it on your stand or saw, following the instructions in your router table manual. Attach the dust port splitter (2.13) to a side panel (2.2) or the rear panel (2.1) using four truss head Phillips screws (2.6).



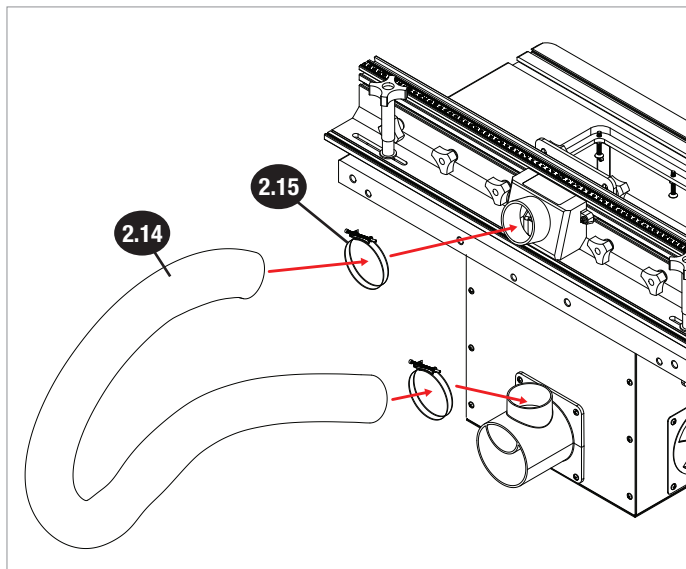
- 6** Follow the instructions in your router table manual to install your fence assembly on the router table. (You can download copies of your manuals at www.sawstop.com.)

For this step, please refer to your router table and fence manual.

7

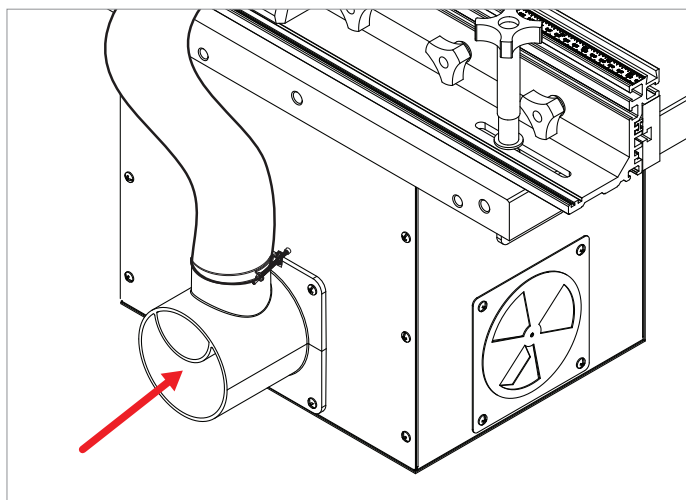
Pass a wire hose clamp (2.15) over each end of the dust collection hose (2.14), and slide one end of the dust collection hose over the upwardly-extending projection on the dust port splitter. Tighten the wire hose clamp on that end of the dust hose.

Slide the other end of the dust collection hose onto 2 1/2" dust port on your router table fence, then tighten the wire hose clamp on that end of the dust hose. Note that when you mount the router table in-line on your saw, the dust collection hose should go over the rear rail of the saw.



8

Using a 4" hose (not included) and a hose clamp (not included), connect the 4" dust port portion of the dust port splitter to a dust collection system. Make sure that both ends of the dust hose are securely connected and tightly sealed.



ALWAYS TURN THE DUST COLLECTION SYSTEM ON BEFORE STARTING YOUR ROUTER, AND TURN THE DUST COLLECTION SYSTEM OFF AFTER STOPPING YOUR ROUTER.

OPERATIONS

Safety for the Downdraft Dust Collection Box

1. The Downdraft Dust Collection Box should always be used with a vacuum or dust collector to maintain airflow within the box. Without proper airflow, your router can overheat and become damaged.
2. The router access door on your Downdraft Dust Collection Box allows you to access the underside of your router table, your router lift, and your router. The door is secured using a magnet just inside the front panel of the box, and should always be kept closed while the router is plugged in or in use.
3. The adjustable vent can be used to change the airflow through your Downdraft Dust Collection Box to match the power of your dust collector. The optimum position of the adjustable vent depends on the configuration of your router and power of your dust collector.

Warranty

SawStop warrants to the original retail purchaser of a new Four-Post Router Lift with Lock/Downdraft Dust Collection Box for Router Lift from an authorized SawStop distributor that the Four-Post Router Lift with Lock/Downdraft Dust Collection Box for Router Lift systems will be free from defects in material and workmanship for ONE YEAR from the date of purchase. SawStop warrants to the original retail purchaser of a refurbished, demonstration or floor model Four-Post Router Lift with Lock/Downdraft Dust Collection Box for Router Lift from an authorized SawStop distributor that the Four-Post Router Lift with Lock/Downdraft Dust Collection Box for Router Lift systems will be free from defects in material and workmanship for SIX MONTHS from the date of purchase.

This warranty does not apply to defects arising from misuse, abuse, negligence, accidents, normal wear-and-tear, unauthorized repair or alteration, or lack of maintenance. This warranty is void if the Four-Post Router Lift with Lock/Downdraft Dust Collection Box for Router Lift systems or any portion of the Four-Post Router Lift with Lock/Downdraft Dust Collection Box for Router Lift systems are modified without the prior written permission of SawStop, LLC, or if the Four-Post Router Lift with Lock/Downdraft Dust Collection Box for Router Lift systems are located or have been used outside of the country where the authorized SawStop distributor from whom the Four-Post Router Lift with Lock/Downdraft Dust Collection Box for Router Lift systems were purchased resides.

Please contact SawStop to take advantage of this warranty. If SawStop determines the Four-Post Router Lift with Lock/Downdraft Dust Collection Box for Router Lift systems are defective in material or workmanship, and not due to misuse, abuse, negligence, accidents, normal wear-and-tear, unauthorized repair or alteration, or lack of maintenance, then SawStop will, at its expense and upon proof of purchase, send replacement parts to the original retail purchaser necessary to cure the defect. Alternatively, SawStop will repair the Four-Post Router Lift with Lock/Downdraft Dust Collection Box for Router Lift systems provided they are returned to SawStop, shipping prepaid, with proof of purchase and within the warranty period.

SawStop disclaims any and all other express or implied warranties, including merchantability and fitness for a particular purpose. SawStop shall not be liable for death, injuries to persons or property, or incidental, consequential, contingent or special damages arising from the use of the Four-Post Router Lift with Lock/Downdraft Dust Collection Box for Router Lift systems.

This warranty gives you specific legal rights. You may have other rights which, in the United States, vary from state to state.

Safety

A router is a dangerous tool and there are hazards inherent with using your router. Some of these hazards are discussed below. Use common sense when operating your router and the SawStop Router Lift with Lock and use them only as instructed. Make sure to follow the safety rules and guidelines that are outlined in the manual of your specific router.

You are responsible for your own safety!

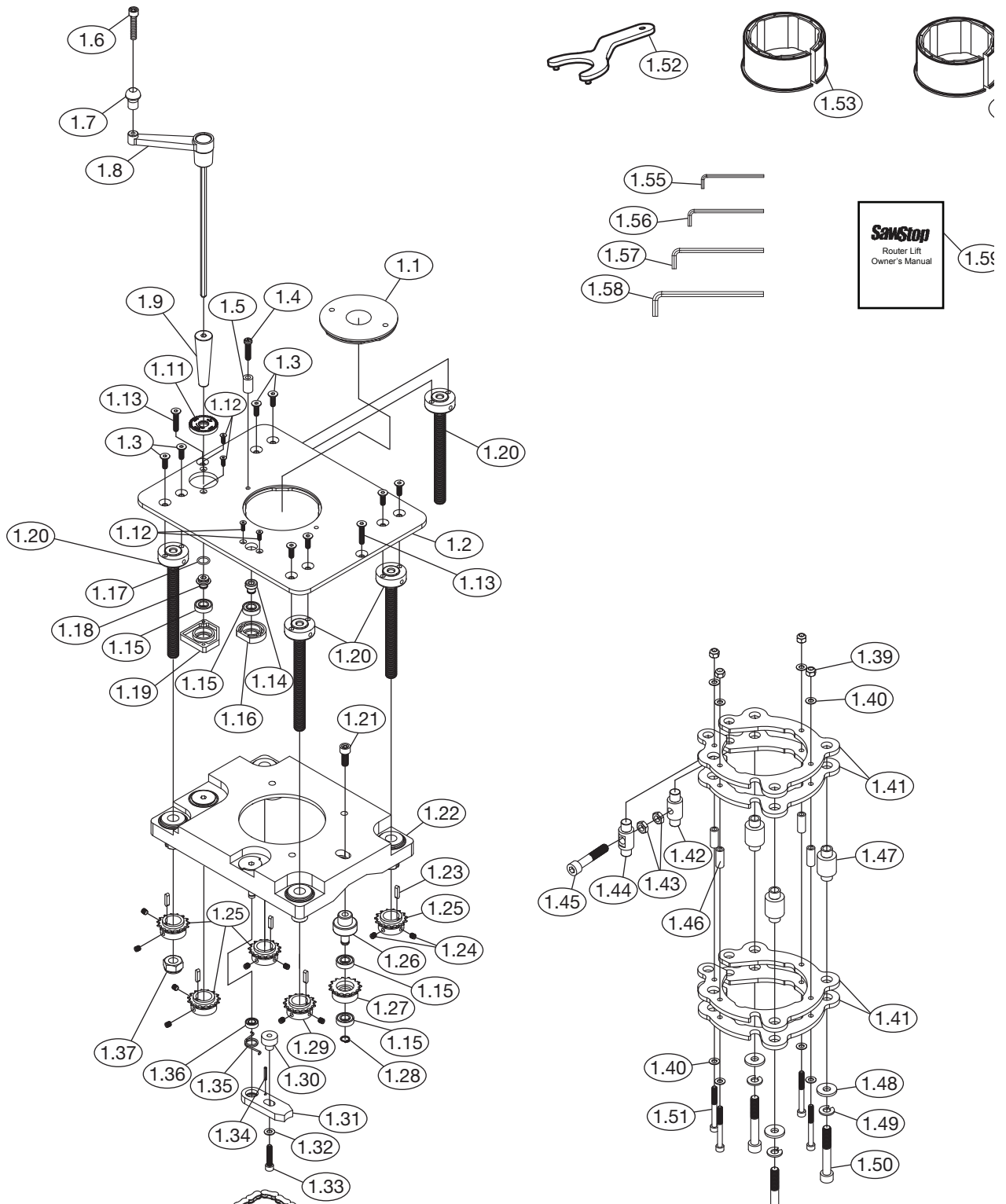
Warnings

1. Read and understand the instruction manual and all safety warnings before operating your router and SawStop Router Lift. Failure to comply with these warnings may result in serious personal injury. Save these instructions and refer to them whenever necessary.
2. Read and understand the instruction manual and all safety warnings of your router before using it with the SawStop Router Lift and Downdraft Dust Collection Box.
3. **WARNING:** This product contains one or more chemicals known to the State of California to cause cancer and birth defects or other reproductive harm. In addition, some types of dust created by sawing, power sanding, grinding, drilling, and other construction activities also contain chemicals known to cause cancer, birth defects or other reproductive harm. Some examples of these chemicals are lead from lead-based paints, crystalline silica from bricks, cement, and other masonry products, and arsenic and chromium from chemically treated lumber. In addition, wood dust has been listed as a known human carcinogen by the U.S. government. The risk from exposure to these chemicals and to dust varies depending on how often you do this type of work. To reduce your exposure, work in a well ventilated area and work with approved safety equipment including dust masks or respirators designed to filter out such dust and chemicals.
4. Keep guards in place and in working order.
5. For your own safety, read instruction manual before operating shaper.
6. Do not expose the Router Lift or Downdraft Dust Collection Box to rain or use in damp locations.
7. Do not operate the Router Lift or Downdraft Dust Collection Box without all guards and covers properly installed.
8. Do not use awkward hand positions.

9. Do not operate your router, the Router Lift, Dust Collection Box, or any other tools under the influence of alcohol or drugs.
10. Wear proper apparel when using the Router Lift. Do not wear loose clothing, gloves, neckties, rings, bracelets, or other jewelry which may get caught in moving parts. Non-slip footwear is recommended. Wear a protective hair covering to contain long hair.
11. Always wear approved safety glasses and/or a face shield when using the Router Lift. Also use a face or dust mask if the cutting operation is dusty. Everyday eyeglasses are not safety glasses.
12. Keep hands away from router bits and use fixture when necessary. Never reach around or over the router. Use feather boards and/or push sticks to keep your hands away from the router bit. Keep proper footing and balance at all times.
13. Always run your workpiece against the rotation direction of the router bit. Never cut pieces between the fence and the router bit.
14. Always ensure the router bit is in good working condition before use. Examine the router bit prior to use and replace the bit if it is damaged.
15. Ensure the Router Lift, Downdraft Dust Collection Box, and your router are installed securely before use.
16. Maintain the Router Lift and Downdraft Dust Collection Box as specified in this manual. Use only identical replacement parts when servicing the Router Lift or Downdraft Dust Collection Box.
17. Turn the power disconnect switch to OFF and unplug your router before servicing, making any adjustments, or cleaning the Router Lift or Downdraft Dust Collection Box. Always ensure the power is OFF before changing components or accessories such as router bits, guards, and the like.
18. Check to make sure the Router Lift and Downdraft Dust Collection Box are in working order before use. For example, check the alignment of moving parts, look to see whether moving parts are binding or rubbing, check to see whether parts are broken, make sure accessories are properly installed, and check any other conditions that may affect the operation of the Router Lift and Downdraft Dust Collection Box. Any parts that are damaged should be properly repaired or replaced.

This page is intentionally blank.

Exploded View 1: Four-Post Router Lift with Lock



Parts List 1: Four-Post Router Lift with Lock

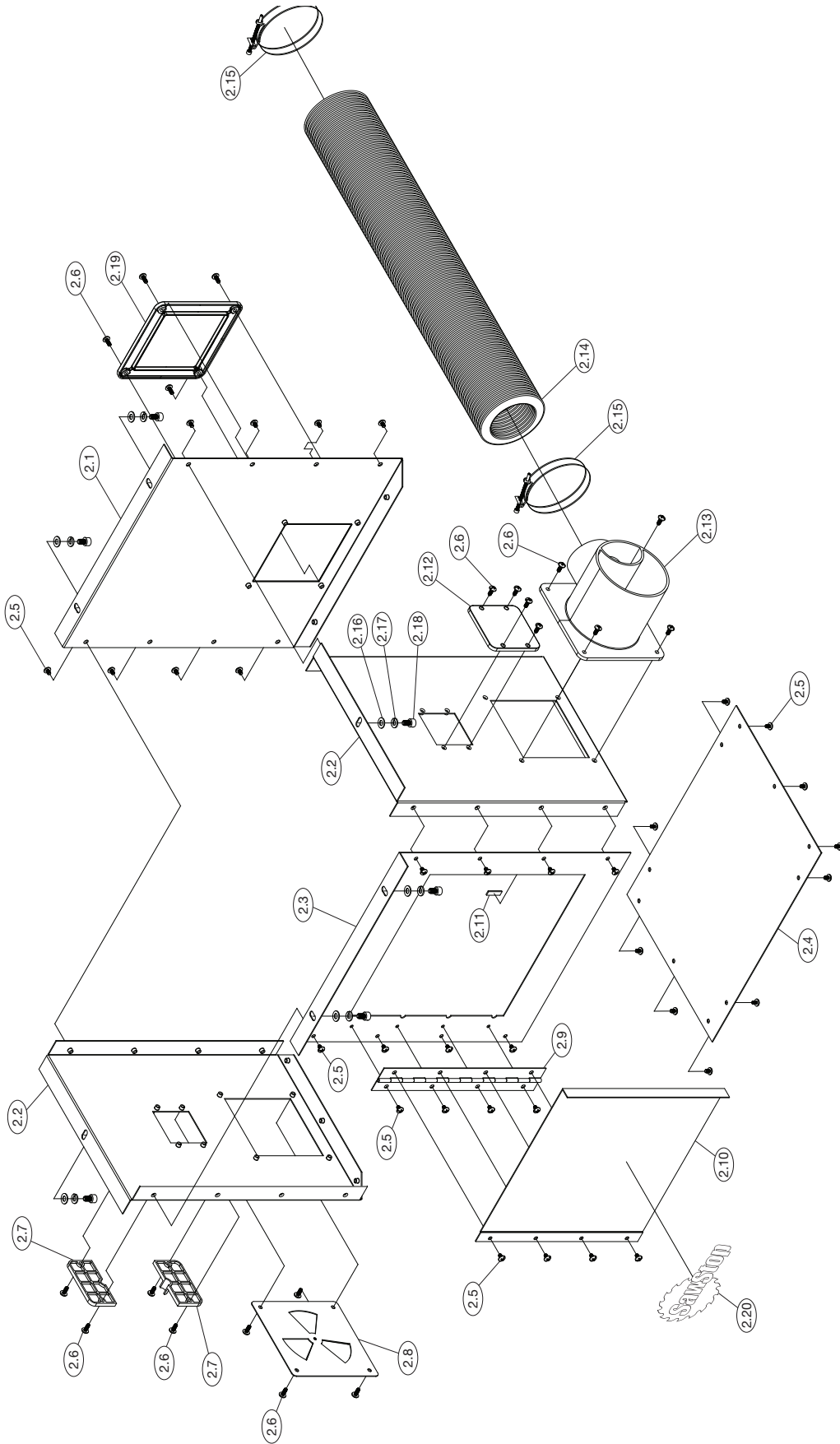
No.	Description	Part No.	Qty.
N/A	Router Lift Assembly	RT-LFT	1
1.1	1-1/2" Phenolic Router Table Insert Ring	RT-PIR-003	1
1.2	Aluminum Router Plate	RT-LFT-002	1
1.3	M6 x 1.0 x 18 Flat Head Socket Screw	RT-LFT-003	8
1.4	M6 x 1.0 x 25 Pan Head Phillips Screw	RT-LFT-004	1
1.5	Starting Pin Sleeve	RT-LFT-005	1
1.6	1/4"-20 x 1 1/4" Socket Head Cap Screw	RT-LFT-006	1
1.7	Elevation Handle Knob	RT-LFT-007	1
1.8	Elevation Handle	RT-LFT-008	1
1.9	Elevation Handle Sleeve	RT-LFT-009	1
1.11	Scale Plate	RT-LFT-011	1
1.12	M4 x 0.7 x 12 Flat Head Socket Screw	RT-LFT-012	4
1.13	M6 x 1.0 x 30 Flat Head Socket Screw	RT-LFT-013	2
1.14	Elevation Lock Upper Guide Bushing	RT-LFT-014	1
1.15	10mm ID x 22mm OD Ball Bearing	RT-LFT-015	4
1.16	Elevation Lock Upper Guide Block	RT-LFT-016	1
1.17	12.5mm O-Ring	RT-LFT-017	1
1.18	Main Gear Upper Guide Bushing	RT-LFT-018	1
1.19	Main Gear Upper Guide Block	RT-LFT-019	1
1.20	Elevation Threaded Rod Assembly	RT-LFT-020	4
1.21	M8 x 1.25 x 20 Socket Head Cap Screw	RT-LFT-021	1
1.22	Carriage Plate Assembly	RT-LFT-022	1
1.23	M4 x 4 x 18 Key	RT-LFT-023	5
1.24	M6 x 1.0 x 6 Set Screw	RT-LFT-024	10
1.25	Chain Sprocket	RT-LFT-025	4
1.26	Chain Tension Cam	RT-LFT-026	1
1.27	Cam Sprocket	RT-LFT-027	1
1.28	10mm External Retaining Ring	RT-LFT-028	3
1.29	Elevation Lock Sprocket	RT-LFT-029	1
1.30	Lock Arm Spacer	RT-LFT-030	1
1.31	Elevation Lock Arm	RT-LFT-031	1
1.32	M6 x 13 x 1 Washer	RT-LFT-032	1

Parts List 1: Four-Post Router Lift with Lock (Cont.)

No.	Description	Part No.	Qty.
1.33	M6 x 1.0 x 30 Socket Head Cap Screw	RT-LFT-033	1
1.34	Spring Pin (3mm x 18mm)	RT-LFT-034	1
1.35	Lock Arm Spring	RT-LFT-035	1
1.36	8mm ID x 16mm OD Ball Bearing	RT-LFT-036	1
1.37	M14 x 2 Lock Nut	RT-LFT-037	1
1.38	Elevation Chain	RT-LFT-038	1
1.39	M6 x 1.0 Lock Nut	RT-LFT-039	4
1.40	M6 x 11 x 1.5 Washer	RT-LFT-040	8
1.41	Router Clamp Plate	RT-LFT-041	4
1.42	Clamp Plate M10 Barrel Nut	RT-LFT-042	1
1.43	M10 x 1.5 Hex Jam Nut	RT-LFT-043	2
1.44	Cross-Drilled Clamp Plate Spacer	RT-LFT-044	1
1.45	M10 x 1.5 x 55 Socket Head Cap Screw	RT-LFT-045	1
1.46	M6 Clamp Plate Spacer	RT-LFT-046	4
1.47	M10 Clamp Plate Spacer	RT-LFT-047	3
1.48	M10 x 25 x 3 Washer	RT-LFT-048	3
1.49	M10 Lock Washer	RT-LFT-049	3
1.50	M10 x 1.5 x 70 Socket Head Cap Screw	RT-LFT-050	3
1.51	M6 x 1.0 x 60 Socket Head Cap Screw	RT-LFT-051	4
1.52	Insert Wrench	RT-LFT-052	1
1.53	3.5" Router Reducer Collar	RT-LFT-053	1
1.54	3.25" Router Reducer Collar	RT-LFT-054	1
1.55	2.5 mm Hex L-Wrench	RT-LFT-055	1
1.56	3 mm Hex L-Wrench	RT-LFT-056	1
1.57	4 mm Hex L-Wrench	RT-LFT-057	1
1.58	6 mm Hex L-Wrench	RT-LFT-058	1
1.59	Router Lift Owner's Manual	RT-LFT-059	1

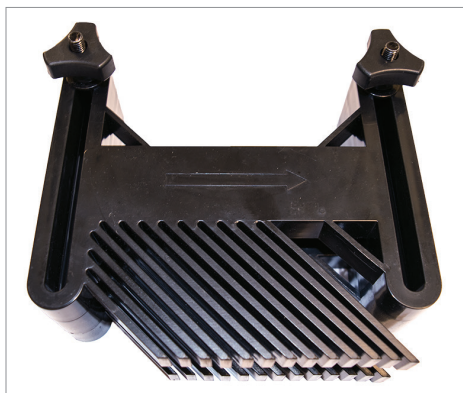
This page is intentionally blank.

Exploded View 2: Downdraft Dust Collection Box



Parts List 2: Downdraft Dust Collection Box

No.	Description	Part No.	Qty.
N/A	Dust Collection Box for Router Lift	RT-DCB	1
2.1	Rear Panel	RT-DCB-001	1
2.2	Side Panel	RT-DCB-002	2
2.3	Front Panel	RT-DCB-003	1
2.4	Bottom Panel	RT-DCB-004	1
2.5	M4 x 0.7 x 6 Truss Head Phillips Screw	RT-DCB-005	34
2.6	M4 x 0.7 x 10 Truss Head Phillips Screw	RT-DCB-006	20
2.7	Power Cord Clamp	RT-DCB-007	2
2.8	Adjustable Vent	RT-DCB-008	1
2.9	Access Door Hinge	RT-DCB-009	1
2.10	Router Access Door	RT-DCB-010	1
2.11	Door Magnet	RT-DCB-011	1
2.12	Power Cord Port Cover	RT-DCB-012	1
2.13	Dust Port Splitter	RT-DCB-013	1
2.14	Dust Collection Hose	RT-DCB-014	1
2.15	Wire Hose Clamp	RT-DCB-015	2
2.16	M6 x 13 x 1 Washer	RT-DCB-016	6
2.17	M6 Lock Washer	RT-DCB-017	6
2.18	M6 x 1.0 x 12 Hex Head Bolt	RT-DCB-018	6
2.19	Dust Port Cover	RT-DCB-019	1
2.20	SawStop Label	RT-DCB-020	1



Double Horizontal Feather Board for Router Tables RT-HFD

- Holds your workpiece safely against the router fence for added stability
- Stackable featherboards for extra support for taller stock
- Easy-grip lock knobs
- Compatible with all SawStop Router Tables and Fences



Single Vertical Feather Board for Router Tables RT-VFS

- Holds your workpiece safely against the router fence for added stability
- Easy-grip lock knobs
- Compatible with all SawStop Router Tables and Fences



9 Piece Brass Precision Template Guide Set RT-TGS

- Includes 8 template guides for various routing applications: 1 19/64", 5/8", 27/32", 17/32", 17/64", 9/32", 11/32", 13/32"
- Includes 1 locking nut
- Includes 1 3/8" Insert Ring
- Designed to fit most routers



Stock Guide for Router Table Fence RT-STP

- Compatible with all SawStop Router Fences
- Provides added safety and stability for moving your material through the router bit



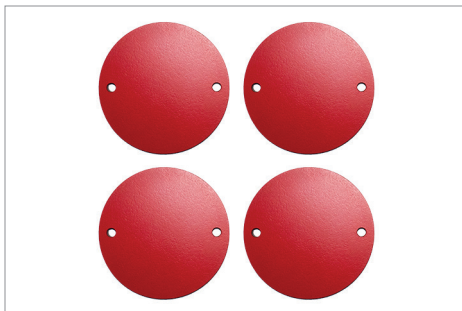
Downdraft Dust Collection Box for Router Tables **RT-DCB**

- Collects below-table dust
- Connects to 4" dust tube
- Compatible with all SawStop Router Tables



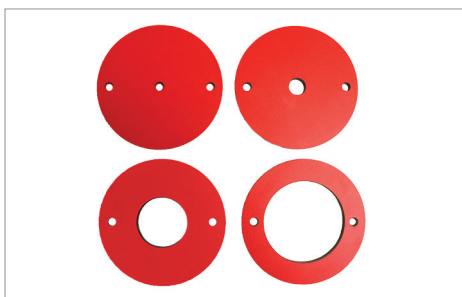
Flip Stop for Router Fence **RT-FLS**

- Designed to quickly give you accurate, repeatable measurements
- Compatible with all SawStop Router Fences



4 Piece Phenolic Zero Clearance Insert Ring Set for Router Lift **RT-PZR**

- Ultra-strong phenolic core material to reduce tear out and chip out



4 Piece Phenolic Insert Ring Set for Router Lift **RT-PIR**

- Ultra-strong phenolic core material to reduce tear out and chip out

SawStop, LLC
11555 SW Myslony St | Tualatin, Oregon 97062 USA
www.sawstop.com

Main Phone: (503) 570-3200
Service: (503) 582-9934
Fax: (503) 570-3303
Email: info@sawstop.com