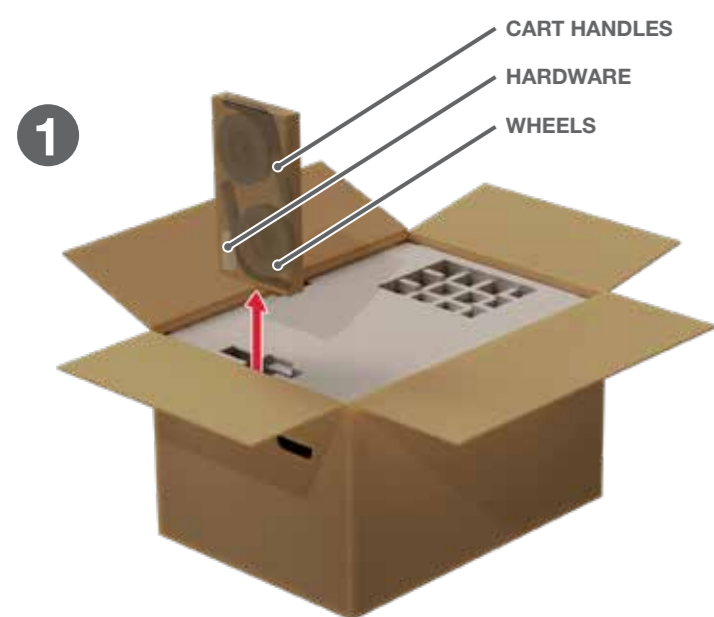
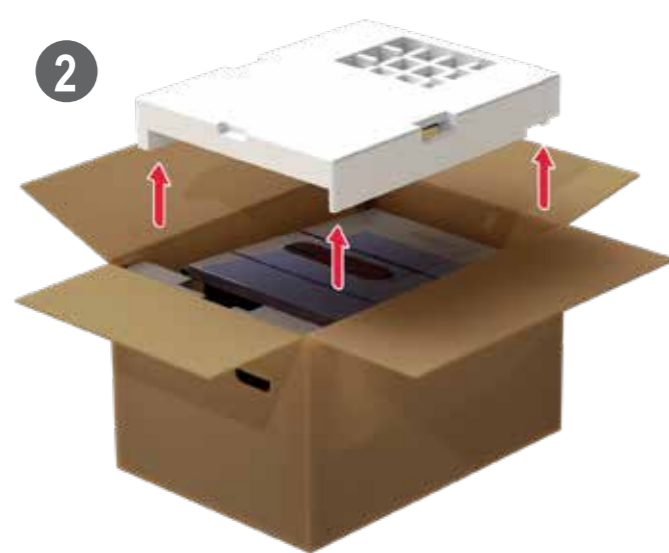


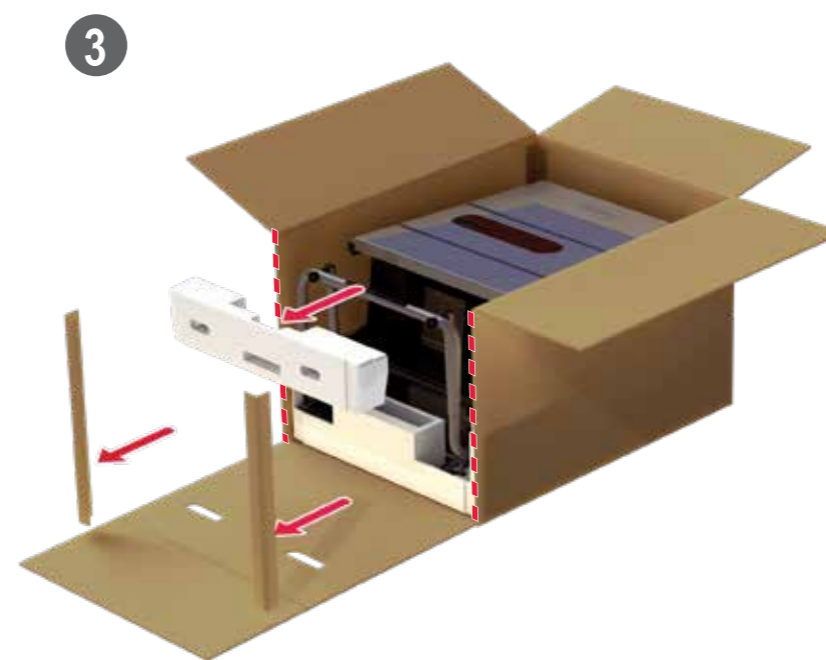
UNBOXING AND ASSEMBLY



1 Check to make sure you have all the parts. If not, call us at 503-595-2665.



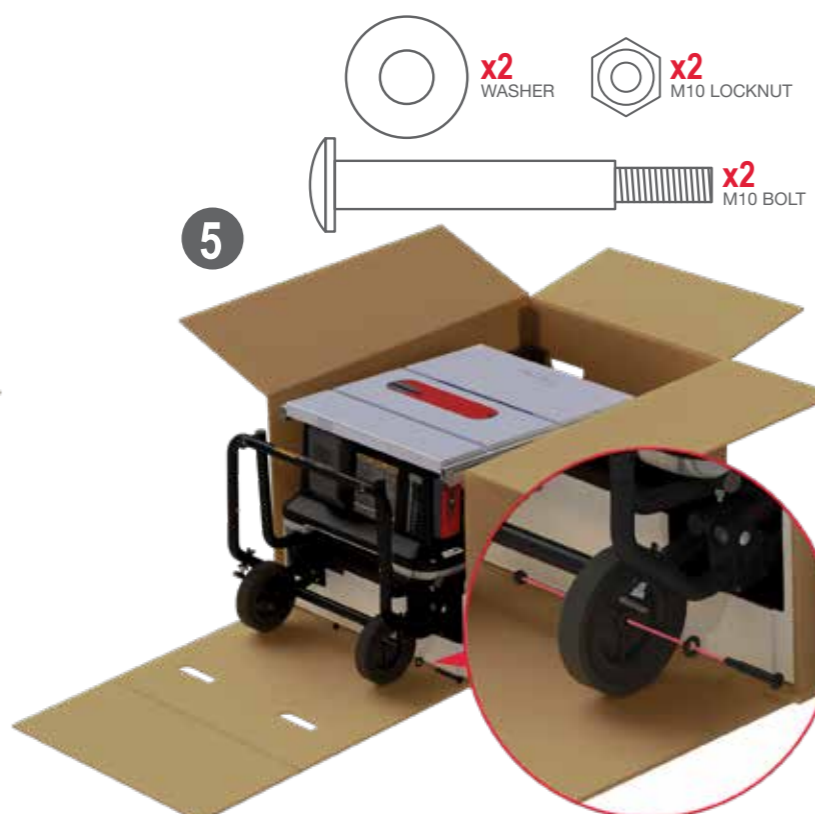
2 Remove the large packing tray and set aside.



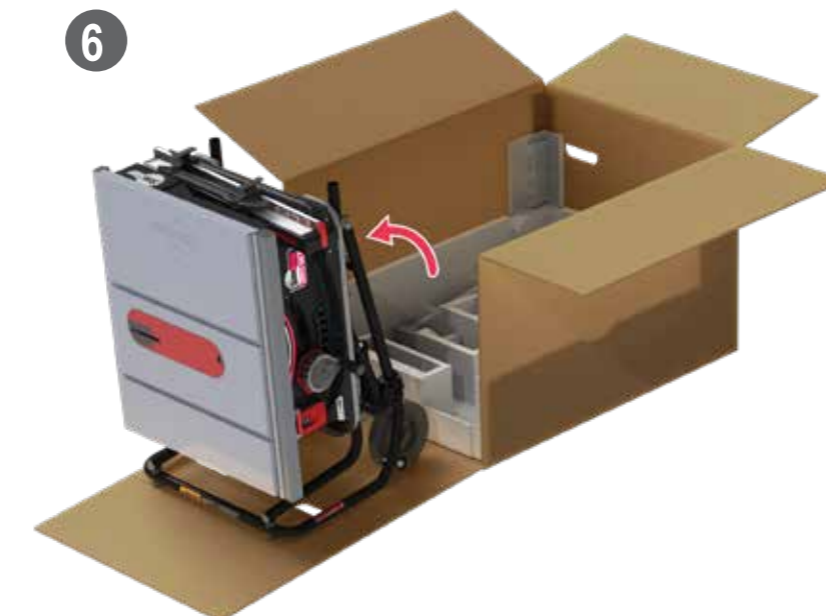
3 Cut both vertical edges of the box on the end near the wheels and fold down. Remove the small packing tray by sliding out from the cart and set aside.



4 Lift and place the saw so it overhangs the bottom packing tray by about 6 inches. This provides room to attach the wheels to the frame.



5 Mount the wheels to the cart with the provided bolts, washers and nuts.



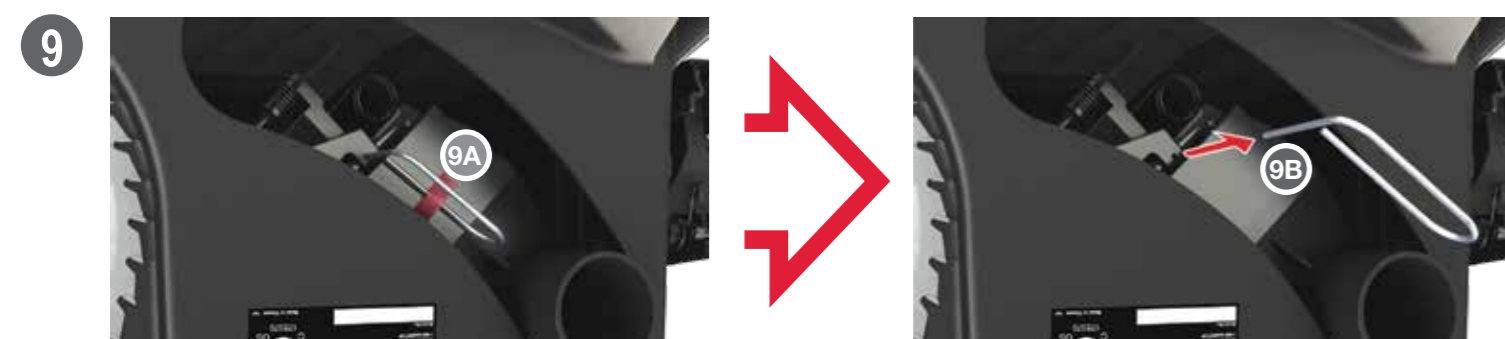
6 Once the wheels are mounted, tip the saw and cart to the upright position.



7 Slide the handle marked "L" into the tube nearest the front of the saw and bolt in place. Tighten the bolt enough to compress the tubes so the handle does not jiggle. Install the handle marked "R" in the same way in the other tube.



8 Do not attempt to elevate the blade until steps 8 and 9 are complete. Roll the saw off the cardboard. Tip the saw down to rest on the cart handles. Grasp and squeeze the backplate against the elevation handwheel (8A) and swing the handwheel to the right (8B) until the red pointer is over the 45 degree mark (8C). Release the backplate to lock the tilt at 45 degrees.



9 At the back of the saw, reach into the opening and remove a piece of red tape that holds a metal shipping pin in place (9A). Then pull the metal shipping pin completely out of the saw (9B). This pin holds the elevation mechanism in place during shipping and can now be discarded.

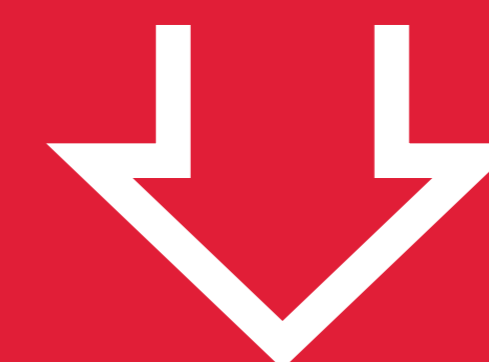
HAVE QUESTIONS?

Give Us a Call : 503-563-5822
or Email Us : jobsite.service@sawstop.com

Our technical support team is standing by, M-F, 7am-5pm PST to help with whatever you need.

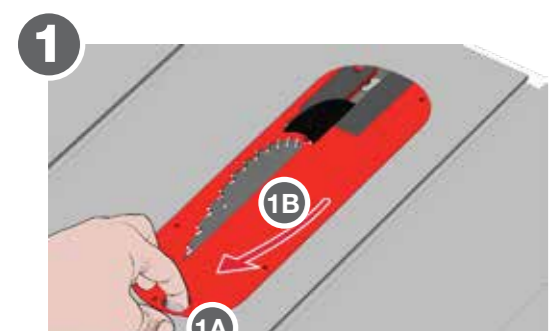


CONGRATULATIONS!
LET'S GET STARTED



CONGRATULATIONS!
YOUR SAW IS NOW ASSEMBLED

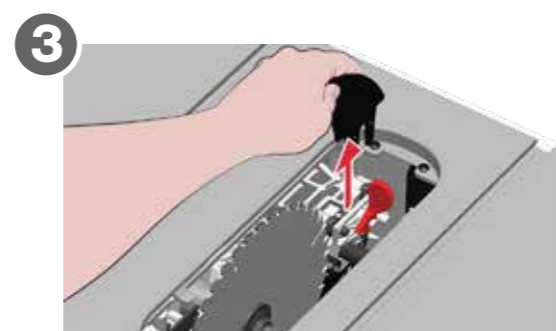
INSTALL THE RIVING KNIFE OR BLADE GUARD



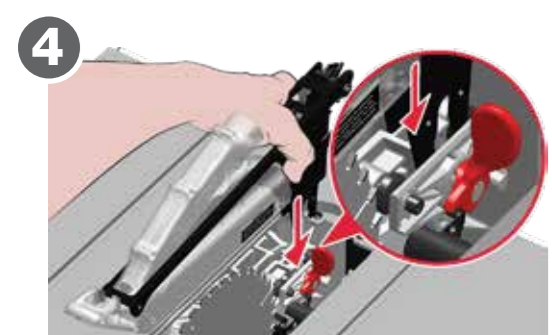
1 Squeeze the latch on the table insert (1A), and then lift the insert up and toward the front of the saw (1B).



2 Open the clamp by reaching into the opening and flipping the red handle up.



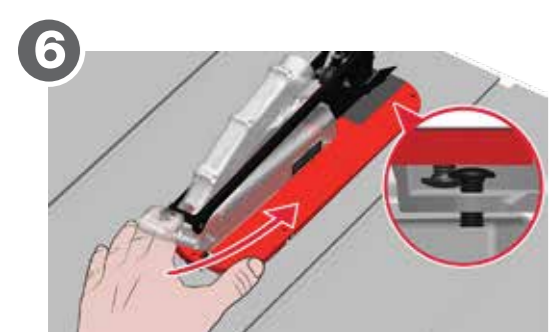
3 Slide the riving knife or blade guard out of the clamp.



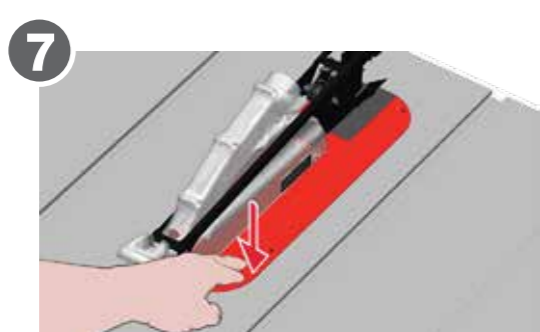
4 Place the riving knife or blade guard into the clamp.



5 Flip the red handle down to close the clamp.



6 With the rear of the table insert tilting downward, slide the table insert into the table opening so that the screws on the bottom of the table insert slide beneath the screws in the table.



7 Press the front of the table insert down to lock.

! Always switch the power off and unplug the power cord before changing the riving knife or blade guard.

LOCATE THE ACCESSORIES



1 Flip the table extension handle up.



2 Slide the table extension to its furthest open position. Slide out the storage drawer.



3 Lift the lid to locate the saw accessories and user guide.

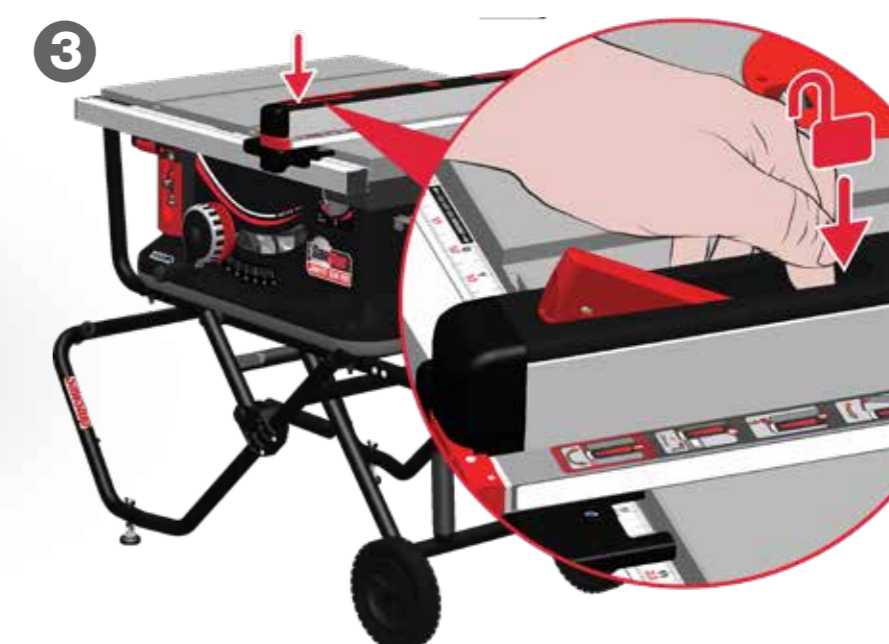
LOCATE AND INSTALL THE RIP FENCE



1 The rip fence is stored in brackets on the right side of the saw, beneath the table extension. Lift the gray latch to remove the fence.



2 Slide the fence out of the brackets and lay it on the table. Make sure the red lever is unlocked.



3 Align the fence on the front rail and slide it to the desired cutting position. Press the red lever to lock the fence in place.



TURN THE SAW ON AND OFF

Switch Power On



1 With the paddle pushed in, flip the power switch to the ON position.



2 Wait while the saw powers up. A solid green light appears and the red status light flashes slowly until the saw is ready.



3 Once the red light stops flashing and is off, the saw is ready to use. If the red light stays on, refer to the owner's manual.



4 Pull the paddle out to spin the blade.

Switch Power Off



1 Push the paddle in to turn the motor off.



2 The green status light flashes fast while the blade spins down, until the blade comes to a complete stop.



3 When the green light is solid, the saw is ready to shut off.



4 After you finish all your cuts, flip the power switch to the off position.

USE THE MOBILE CART



1 Grasp the handles and step on the locking lever.



2 Pull the handles downward. The wheels will swing down and to the rear. The cart will lock in place once the saw is in the full upright position.



3 To collapse the cart, grasp the handles, step on the locking lever, and then raise the handles. Press the wheels forward until they lock in place.