

SawStop[®]

Contractor Fence Assembly

OWNER'S MANUAL



Model CNS-SFA

Warranty

SawStop warrants to the original retail purchaser of the Contractor Fence Assembly accompanying this manual that the fence assembly will be free from defects in material and workmanship for ONE YEAR from the date of purchase. This warranty does not apply to defects arising from misuse, abuse, negligence, accidents, normal wear-and-tear, unauthorized repair or alteration, or lack of maintenance.

Please contact SawStop to take advantage of this warranty. If SawStop determines the fence assembly is defective in material or workmanship, and not due to misuse, abuse, negligence, accidents, normal wear-and-tear, unauthorized repair or alteration, or lack of maintenance, then SawStop will, upon proof of purchase and at its expense, send replacement parts to the original retail purchaser necessary to cure the defect. Alternatively, SawStop will repair the fence assembly provided it is returned to SawStop, shipping prepaid, within the warranty period.

SawStop disclaims any and all other express or implied warranties, including merchantability and fitness for a particular purpose. SawStop shall not be liable for death, injuries to persons or property, or incidental, consequential, contingent or special damages arising from the use of the saw.

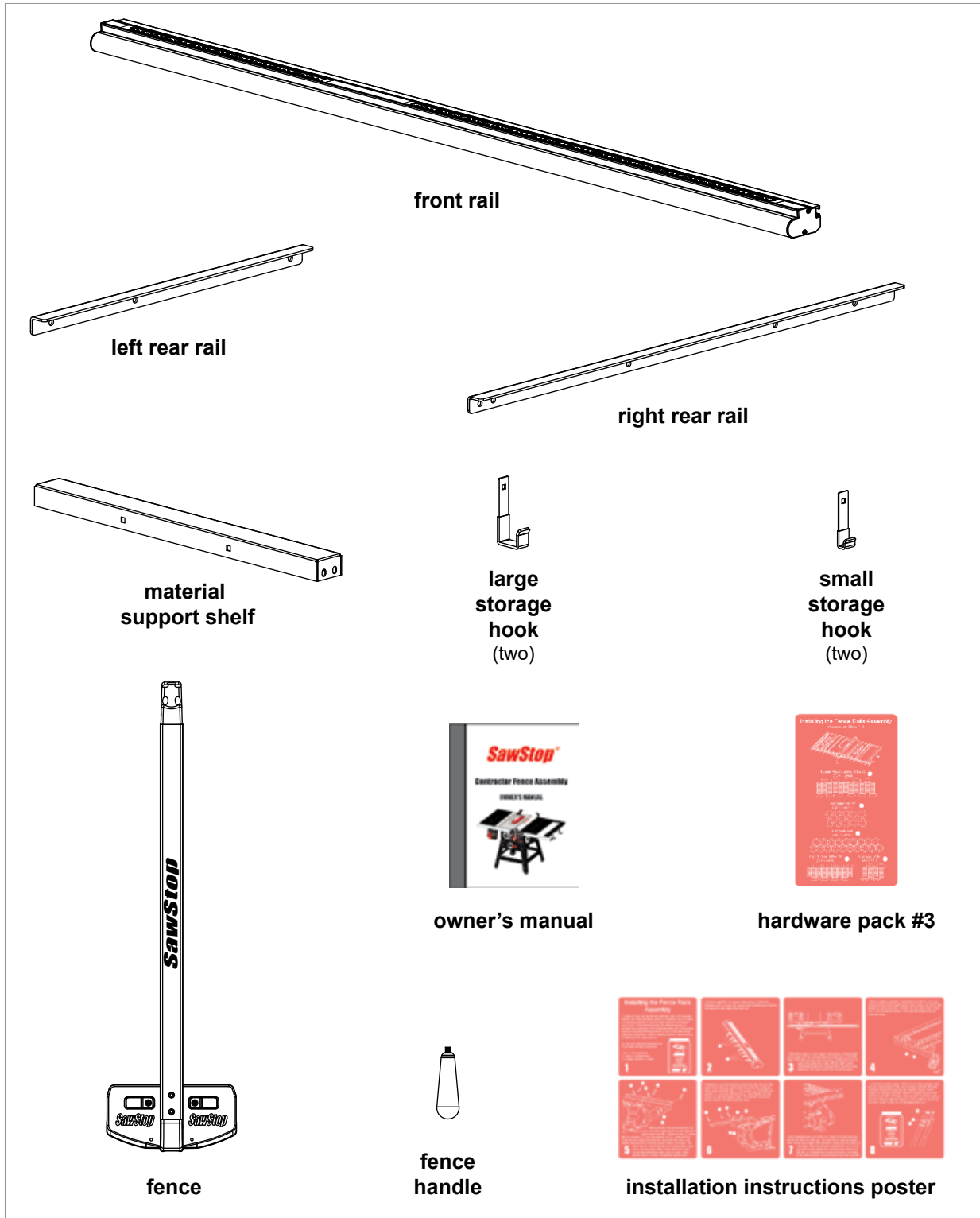
This warranty gives you specific legal rights. You may have other rights which, in the United States, vary from state to state.

Safety

1. You must install a rip fence before using your contractor saw. Attempting to use the saw without the rip fence could result in serious personal injury.
2. Always use a rip fence when making rip cuts. Never perform a ripping operation freehand or a serious injury may result.
3. Always use a push stick or push block when your hand comes within 6 inches of the blade. Attempting to use the rip fence for narrow cuts without a push stick or push block could result in a serious personal injury.
4. Do not use the miter gauge when making rip cuts.
5. While making bevel cuts, use the fence only on the right side of the saw blade to prevent the blade from possibly contacting the fence. The brake will activate if the spinning saw blade comes into contact with the aluminum in the rip fence.

Unpacking Your Fence Assembly

While unpacking your fence assembly verify that all the components shown on this page are included. Use care when unpacking your fence assembly to prevent damage to any of the components.



Installing Your Fence Assembly

Note: Your contractor saw must be fully assembled before installing the fence assembly.

1. Locate the front rail, the left and right rear rails, and hardware pack #3 (see Fig. 1). All of the hardware needed to install the rails is located on hardware pack #3. In order to easily identify the hardware used in each of the following steps, the different pieces of hardware are numbered on the hardware pack and in the figures. If you are missing hardware pack #3 or any of the other fence assembly components, call the SawStop Service Department at 503-582-9934 for replacements.

You will also need the following tools to complete the fence assembly:

- two 13 mm wrenches (or adjustable wrenches)
- a level or straight-edge
- a rubber hammer or mallet

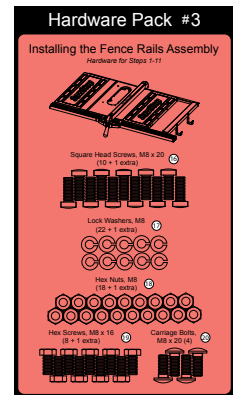


Fig. 1

2. Remove eight M8 x 20 square head screws from the hardware pack and slide the square head of each screw into the slot along the rear edge of the front rail (see Fig. 2).

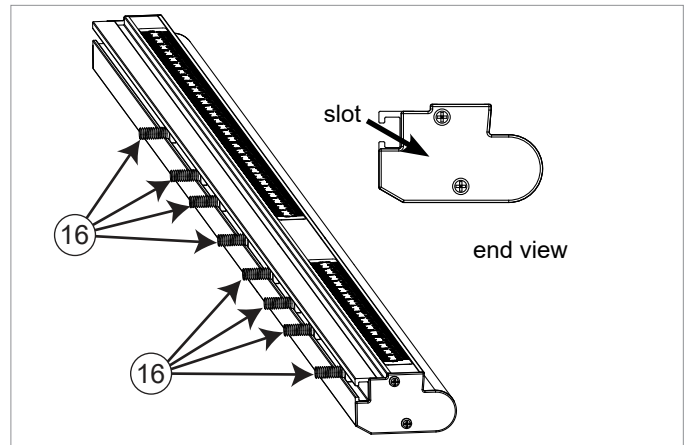


Fig. 2

3. Adjust the position of each square head screw so that all eight screws align with the corresponding mounting holes in the front edge of the table top and extension wings (see Fig. 3). Position the front rail against the edge of the table so that the eight screws extend into their corresponding mounting holes. Make sure the rulers on the front rail face up.

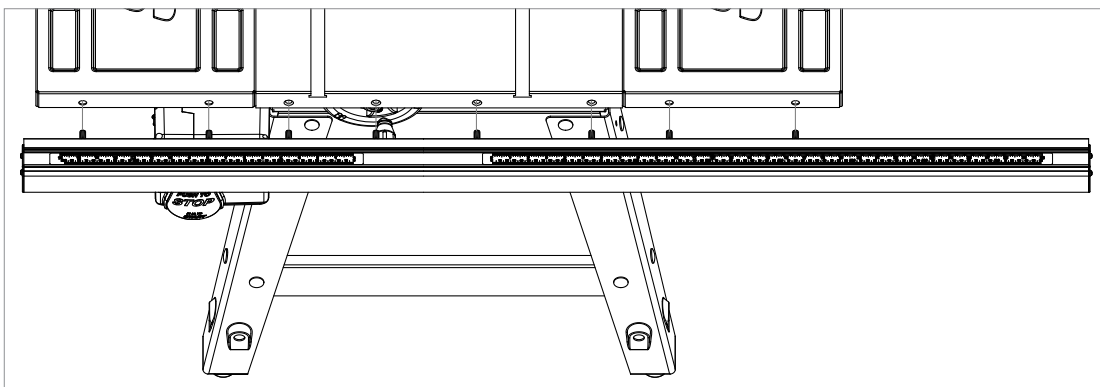


Fig. 3

Installing Your Fence Assembly

- Place an M8 lock washer and thread an M8 hex nut on the back of each of the eight square head screws (see Fig. 4), but do not fully tighten the nuts at this time. Position the front rail so that the left end of the rail extends about $\frac{3}{4}$ inch past the edge of the left extension wing.

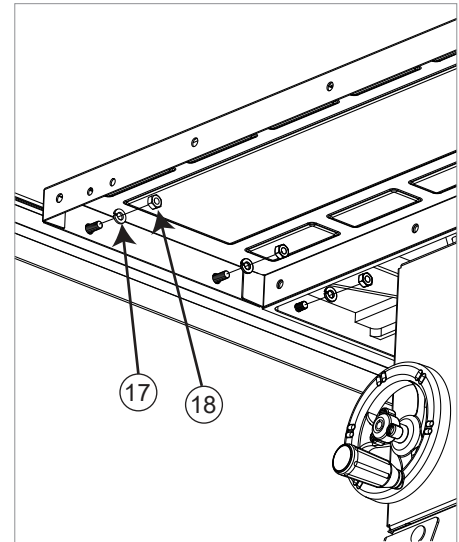


Fig. 4

- Mount the left rear rail (the shorter rail) to the rear of the table and to the left extension wing using three M8 x 16 hex screws, three M8 lock washers, and one M8 hex nut (see Fig. 5). Insert one hex screw into the hole in the extension wing and then use a lock washer and hex nut to hold the screw in place, as shown. The other two hex screws thread into corresponding holes in the cast iron table. Place a lock washer on each screw before threading them into the holes. Hand tighten the hex screws; do not fully tighten them.

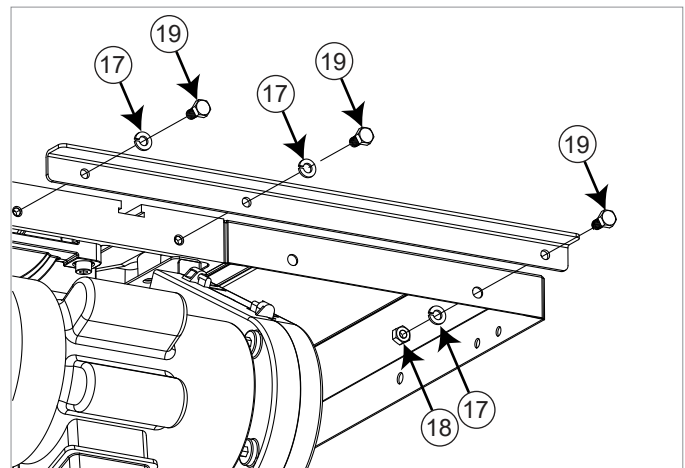


Fig. 5

- Repeat the same procedure to mount the right rear rail (the longer rail) to the rear of the table and to the right extension wing. Again use three M8 x 16 hex screws, three M8 lock washers, and one M8 hex nut (see Fig. 6). Hand tighten the hex screws; do not fully tighten them. The right rear rail should extend beyond the right extension wing.

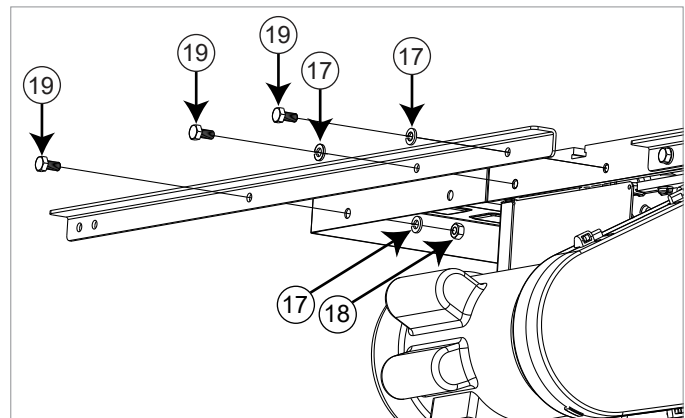


Fig. 6

Installing Your Fence Assembly

7. Use a straight-edge to level the rear edge of the left extension wing to the cast iron table top (see Fig. 7). You may have to pull up or push down on the outer edge of the extension wing to level it. Once the rear edge of the left extension wing is level, use 13 mm wrenches to fully tighten the hardware that mounts the left rear rail. Repeat this process to level the rear edge of the right extension wing and to secure the right rear rail to the saw.

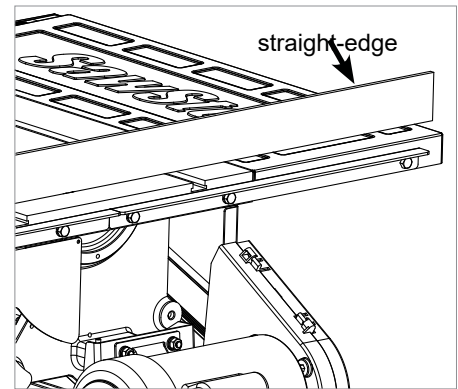


Fig. 7

8. Locate the material support shelf, the two large storage hooks and the two small storage hooks. Take the material support shelf and insert two M8 x 20 square head screws from hardware pack #3 into the holes on one end. Loosely place an M8 lock washer and a M8 hex nut on the back of each screw, but do not tighten the nuts (see Fig. 8).

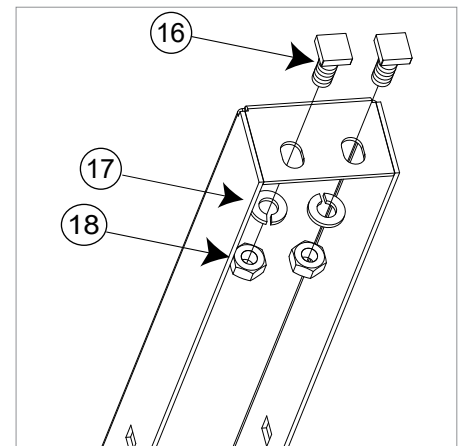
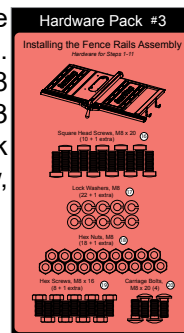


Fig. 8

9. Position the material support shelf between the front rail and the right rear rail by sliding the heads of the two square head screws into the slot on the right end of the front rail until the holes in the rear of the material support shelf line up with the holes in the rear rail. Use two M8 x 16 hex screws, two M8 lock washers, and two M8 hex nuts to mount the material support shelf to the rear rail (see Fig. 9). Use a straight-edge to level the top of the material support shelf with the cast iron table top. Use two 13 mm wrenches to fully tighten the hardware that mounts the material support shelf to the right rear rail. Do not tighten the hardware that mounts the material support shelf to the front rail.

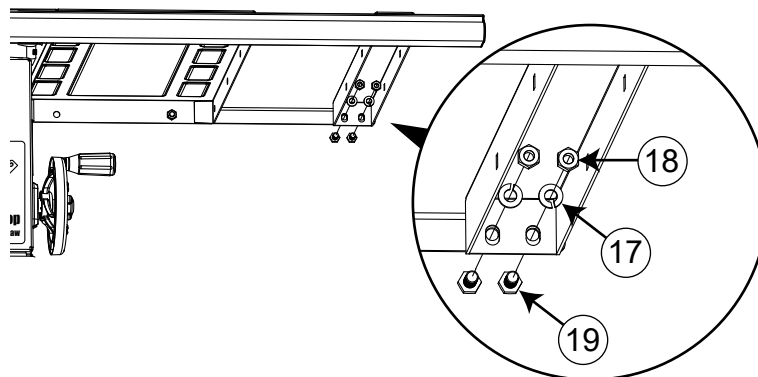


Fig. 9

Installing Your Fence Assembly

10. The two large storage hooks mount to the material support shelf, and can be used to store the fence when not in use. Use two M8 x 20 carriage bolts, two M8 lock washers, and two M8 hex nuts to mount the hooks to the right side of the material support shelf (see Fig. 10). Fully tighten the nuts using a 13 mm wrench.

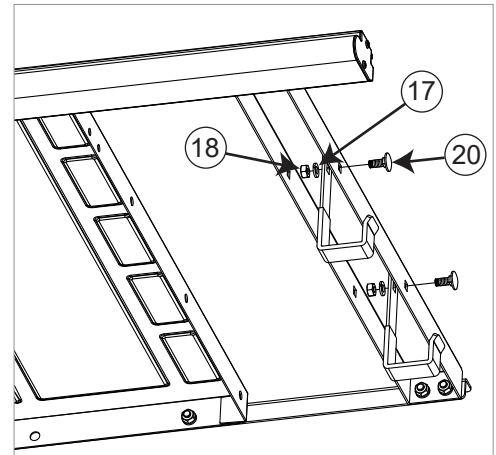


Fig. 10

11. The two small storage hooks also mount to the material support shelf, and can be used to store the miter gauge when not in use. Use two M8 x 20 carriage bolts, two M8 lock washers, and two M8 hex nuts to mount the hooks to the left side of the material support shelf (see Fig. 11). Fully tighten the nuts using a 13 mm wrench.

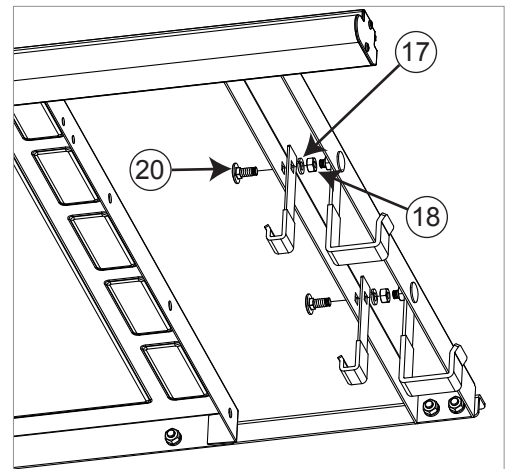


Fig. 11

12. Locate the fence and red fence handle. Thread the handle into the cam lock on the front of the fence (see Fig. 12).

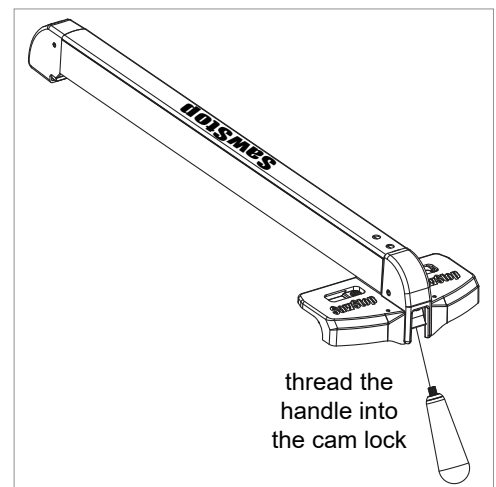


Fig. 12

Installing Your Fence Assembly

13. Position the fence on the table and to the right of the blade. Make sure the clamp at the rear of the fence engages the rear rail (see Fig. 13), and that the front of the fence engages the front rail.

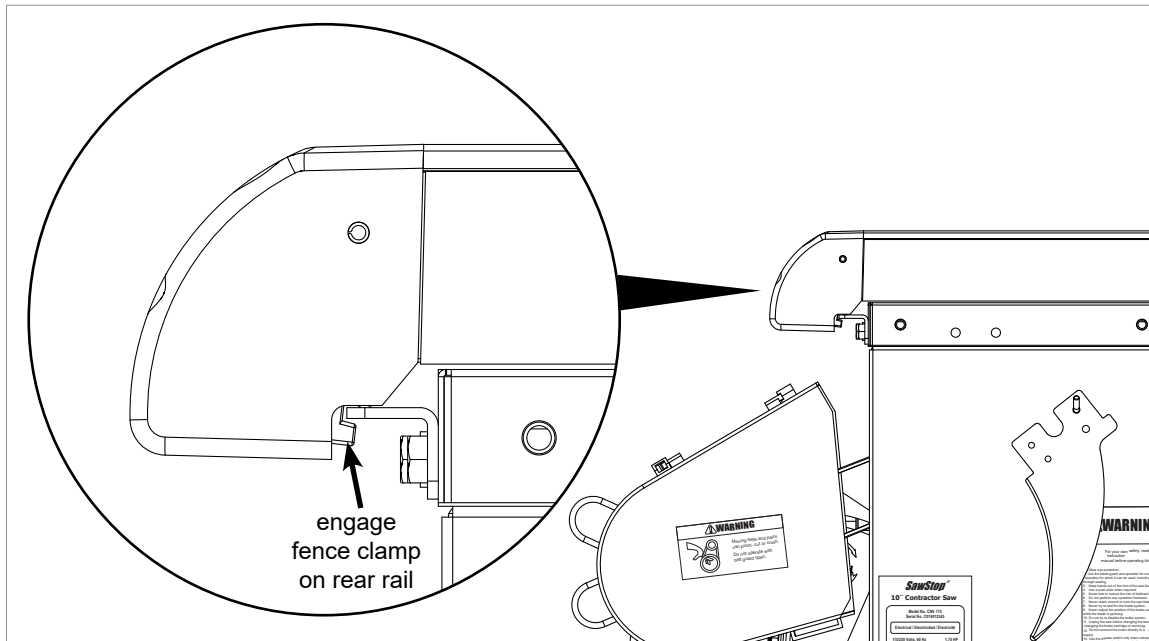


Fig. 13

14. To determine the final placement of the front rail, raise the saw blade and position the fence so that the left side of the fence rests against the right side of the saw blade (see Fig. 14).

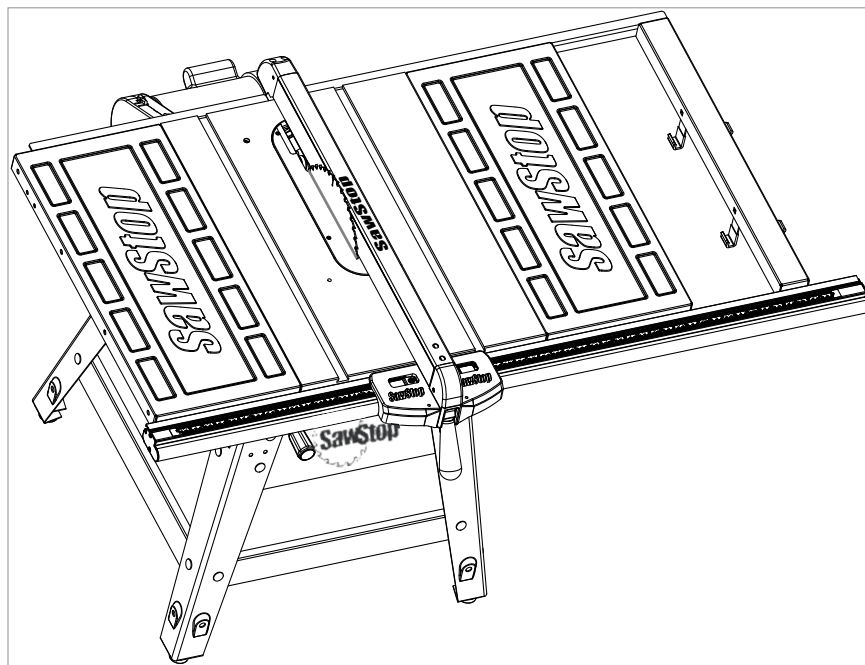


Fig. 14

Installing Your Fence Assembly

15. With the fence unclamped and still against the right side of the saw blade, gently tap one end of the front rail with a rubber hammer or mallet to move the rail to the right or left until the cursor on the right fence scale is aligned with zero on the underlying ruler (see Fig. 15). Be careful to tap the front rail gently or the plastic cap at the end of the rail may be damaged. Once the right fence scale reads zero the front rail is in the correct position.

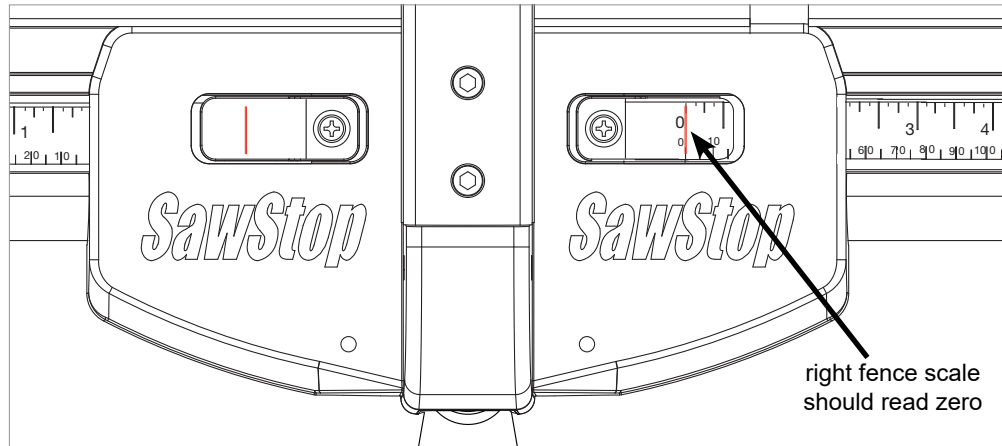


Fig. 15

16. Use a straight-edge to level the front edge of the left extension wing to the cast iron table top (see Fig. 16). You may have to pull up or push down on the outer edge of the extension wing. You also may need to remove the fence from the table to provide clearance for the straight-edge. Be careful not to change the position of the front rail. Once the front edge of the left extension wing is level, use a 13 mm wrench to fully tighten the nuts in the front rail that extend through the left extension wing and the table top. Repeat this process to level the front edge of the right extension wing and the material support shelf and then fully tighten the remaining nuts in the front rail.

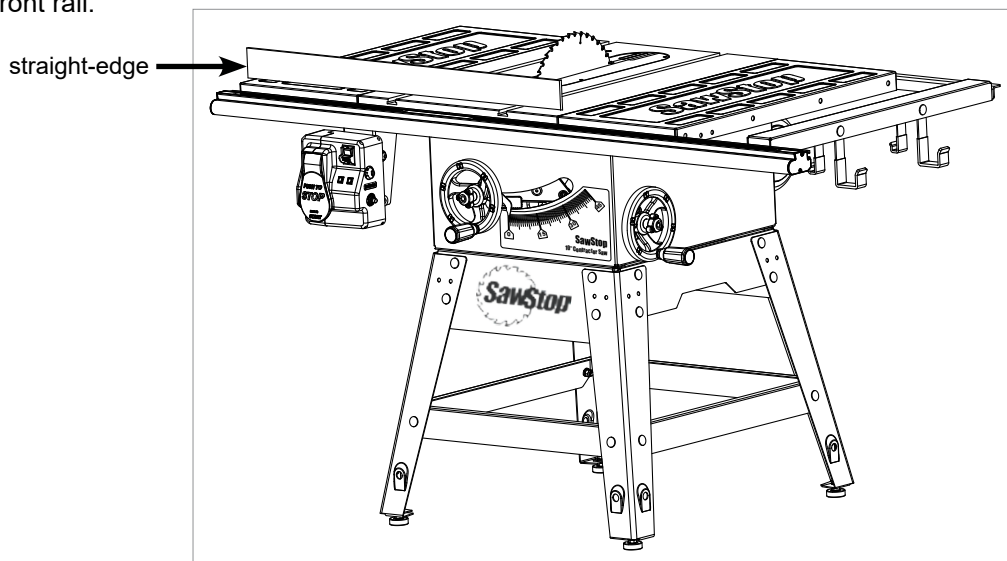


Fig. 16

Congratulations, your fence assembly is now installed and your saw is ready to use.

Using Your Rip Fence

The rip fence included with your contractor saw is used to guide material parallel to the blade when you make rip cuts (cuts that are length-wise along the grain of the wood). The fence must always be used when making rip cuts. The fence also allows you to precisely set the width of your rip cuts. When not in use, you can store the fence on the two fence storage hooks mounted to the material support shelf (see Fig. 17)



Fig. 17

To use the rip fence, begin by placing it on the fence rails so that the clamp at the rear of the fence engages the rear rail and so that the front of the fence engages the front rail. You can use the fence on either the left or right side of the blade for non-bevel cuts. If you plan to make bevel cuts, use the fence only on the right side to prevent the blade from possibly contacting the fence. After placing the fence on the rails, lift the red handle up to the unlocked position (see Fig. 18) and slide the fence to the left or right until the distance between the blade and the fence is approximately equal to the desired width of cut.



Fig. 18

The precise width of cut is shown by the indicator lens on the front of the fence (see Fig. 19). The lens on the left indicates the width of cut when the fence is on the left side of the blade. The lens on the right indicates the width of cut when the fence is on the right side of the blade. Each indicator lens is positioned above a ruler on the front rail. Each lens has a red cursor line that indicates the precise width of cut. To read the width of cut, look down at the cursor line. The mark on the ruler that is directly below the cursor line is the width of cut.



Fig. 19

Adjust the position of the fence until the cursor is directly over the desired width of the cut. Once the fence is in the correct position, push the red locking handle down to the locked position. The fence is now locked in place and ready for use.

Adjusting Your Rip Fence

The fence should be securely locked to the rails when the red handle is in the downward locked position. If the fence locks tightly and cannot be easily moved, no further adjustment is necessary. However, if the fence does not lock tightly, or if the fence locks too tightly, you will need to adjust the clamping force applied by the fence.

If adjustment is necessary, the clamping force is set by the 10 mm hex nut in the end of the fence (see Fig. 20). To increase the clamping force, turn the hex nut clockwise with a 10 mm socket. To decrease the clamping force, turn the hex nut counter-clockwise. Lock the fence in place with the red handle and verify that the fence is locked securely to the rails. If further adjustment is necessary, repeat the steps above.



Fig. 20

The fence must be parallel to the cutting surface of the blade to make an accurate rip cut. Use the following procedure to check if the fence is parallel to the blade.

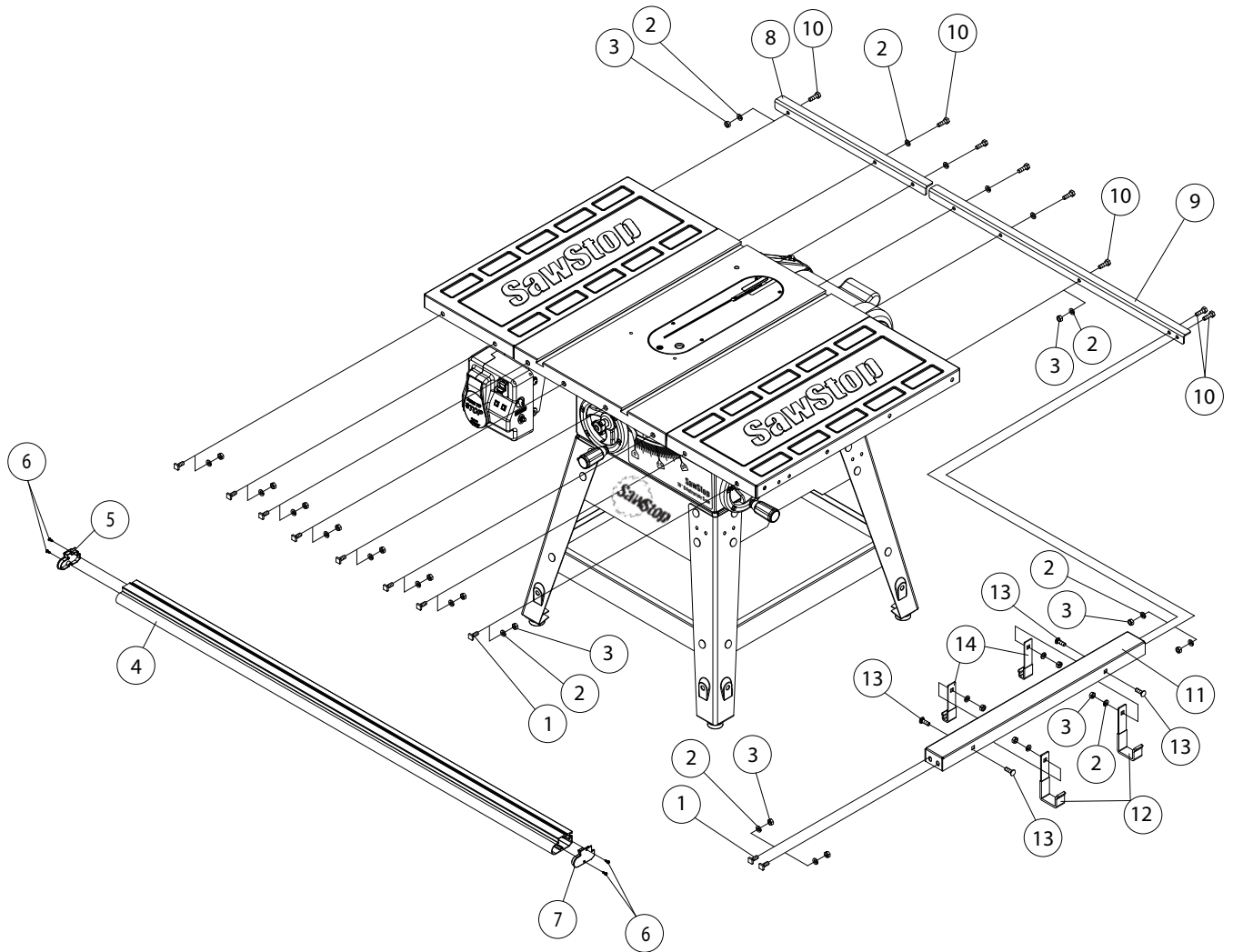
Slide the fence until the left face of the fence is adjacent to one of the miter slots and clamp it in place (see Fig. 21). If the left face is parallel to the miter slot, then no further alignment is needed. If the left face is not parallel to the miter slot, unclamp the fence and then reclamp it to see if it straightens out.

If the fence is still not parallel to the miter slot, unclamp the fence and loosen the two socket head screws in the top of the fence with a 5 mm hex key (see Fig. 21). Then align the side of the fence with the miter slot, clamp the fence in place and re-tighten the screws. The fence is now set parallel to the cutting surface of the blade.



Fig. 21

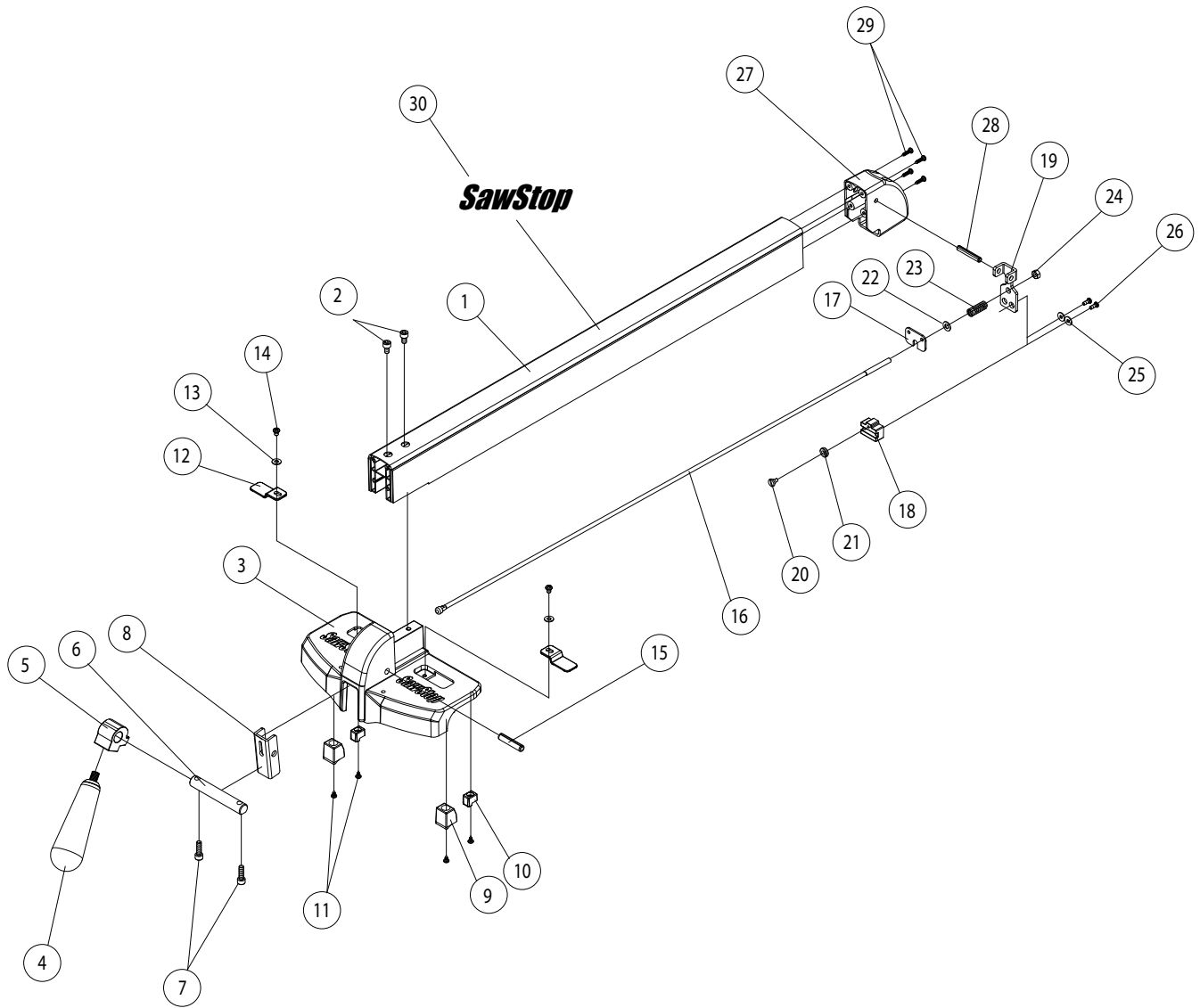
Contractor Fence Rails Assembly Exploded View



Contractor Fence Rails Assembly Parts List

No.	Description	Part No.	Qty.
	Contractor Fence Rails Assembly (includes items 1-14)	SFA-07-000	1
1	M8x1.25x20 Square Head Screw	SFA-07-001	10
2	M8.2x15.4 Lock Washer	SFA-07-002	22
3	M8x1.25 Hex Nut	SFA-07-003	18
4	Front Rail (includes items 5-7)	SFA-07-004	1
5	Left Front Rail End Cap	SFA-07-005	1
6	M4x8 Button Head Philips Sheet Metal Screw	SFA-07-006	4
7	Right Front Rail End Cap	SFA-07-007	1
8	Left Rear Rail	SFA-07-008	1
9	Right Rear Rail	SFA-07-009	1
10	M8x1.25x16 Hex Screw	SFA-07-010	8
11	Material Support Shelf	SFA-07-011	1
12	Large Storage Hook	SFA-07-012	2
13	M8x1.25x20 Carriage Bolt	SFA-07-013	4
14	Small Storage Hook	SFA-07-014	2
Accessories			
N/A	Contractor Fence Assembly Owner's Manual	SFA-07-046	1
N/A	Installation Instructions Poster	SFA-07-047	1
N/A	Hardware Pack #3	SFA-07-048	1

Contractor Fence Assembly Exploded View



Contractor Fence Assembly Parts List

No.	Description	Part No.	Qty.
	Contractor Fence Assembly (includes items 1-30)	SFA-07-015	1
1	Fence Tube	SFA-07-016	1
2	M6x1.0x10 Socket Head Socket Screw	SFA-07-017	2
3	Fence Head	SFA-07-018	3
4	Handle	SFA-07-019	1
5	Cam Lock	SFA-07-020	1
6	Handle Axle	SFA-07-021	1
7	M6x1.0x20 Socket Head Socket Screw	SFA-07-022	2
8	Front Rail Clamp Pivot Bracket	SFA-07-023	1
9	Large Front Rail Glide	SFA-07-024	2
10	Small Front Rail Glide	SFA-07-025	2
11	M4x8 Button Head Philips Sheet Metal Screw	SFA-07-026	4
12	Position Indicator Lens	SFA-07-027	2
13	M5.3x12x1 Washer	SFA-07-028	2
14	M5x0.8x6 Button Head Philips Screw	SFA-07-029	2
15	M8x40 Spring Pin	SFA-07-030	1
16	Fence Rod	SFA-07-031	1
17	Fence Spring Retaining Plate	SFA-07-032	1
18	Rear Fence Clamp	SFA-07-033	1
19	Rear Clamp Pivot Bracket	SFA-07-034	1
20	M4x5 Flat Head Shoulder Screw	SFA-07-035	1
21	Rear Glide Roller	SFA-07-036	1
22	M6.6x13x1 Washer	SFA-07-037	1
23	Clamp Release Spring	SFA-07-038	1
24	Clamp Adjustment Nut	SFA-07-039	1
25	M4.3x12x1 Washer	SFA-07-040	2
26	M4x0.7x10 Button Head Philips Screw	SFA-07-041	2
27	Fence End Cap	SFA-07-042	1
28	M6x40 Spring Pin	SFA-07-043	1
29	M4x16 Button Head Philips Sheet Metal Screw	SFA-07-044	4
30	Fence Label	SFA-07-045	1

SawStop, LLC
9564 S.W. Tualatin Road
Tualatin, Oregon 97062
www.sawstop.com

Main Phone - (503) 570-3200
Service - (503) 582-9934
Fax - (503) 570-3303
Email: info@sawstop.com

Updates of this manual may be available at www.sawstop.com.

Copyright SawStop, LLC
All Rights Reserved.

June 2014
M CNS 19 0003 00