



Over-Arm Dust Collection Installation Guide

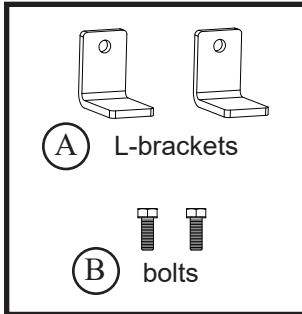
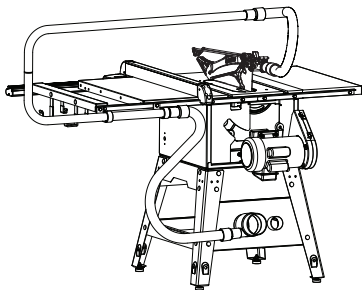
Model: TSA-ODC



WARNING: This product can expose you to chemicals including wood dust, which is known to the State of California to cause cancer. This exposure can come from drilling, sawing, sanding or machining wood products. For more information go to www.P65Warnings.ca.gov/wood.

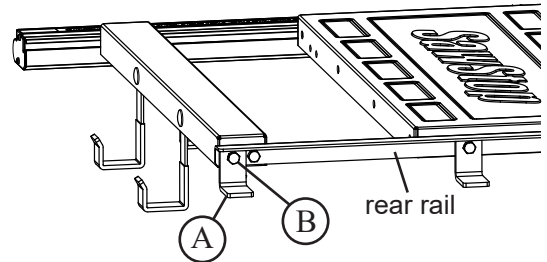
For SawStop Contractor saws with a Standard Fence Assembly

BEGIN HERE →



Tools:

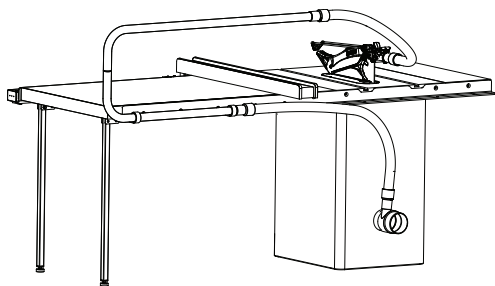
Two 13 mm wrenches



Install brackets A by replacing the bolts on the rear rail of the contractor saw with bolts B in the locations shown above. Reinstall the lock washer and nut on the end of each bolt. Continue with steps 1-6 below. ↓

For all SawStop cabinet saws and for Contractor saws with T-Glide Fence Systems

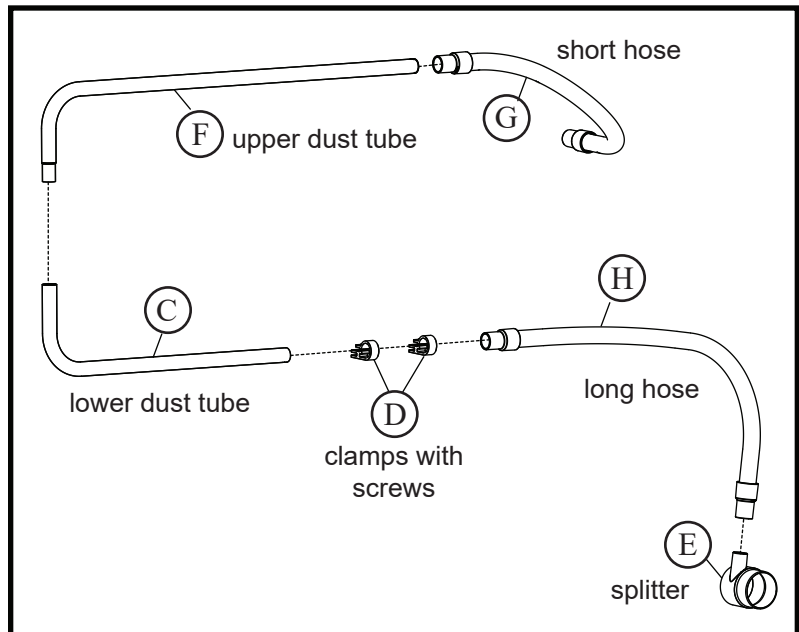
BEGIN HERE →



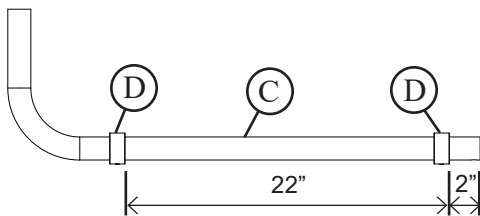
Tools:

3 mm hex key

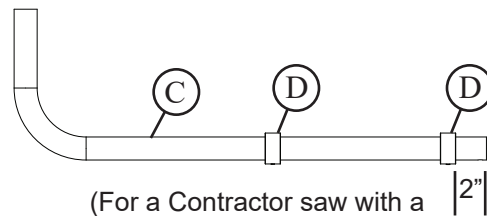
4 mm hex key



1. Slide clamps D onto tube C.



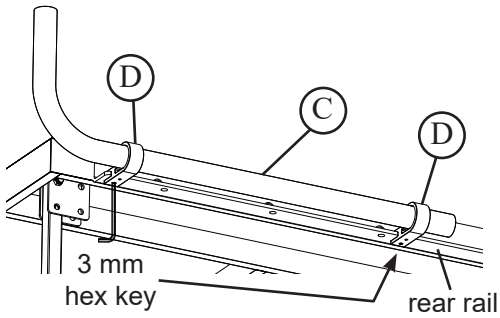
(For all saws *except* Contractor saws with Standard Fence Assemblies.)



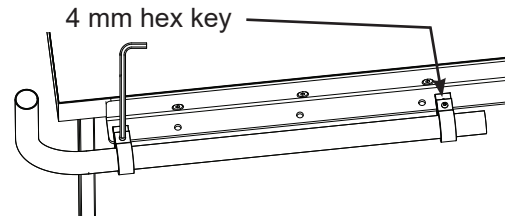
(For a Contractor saw with a Standard Fence Assembly.)

Continue on the back side →

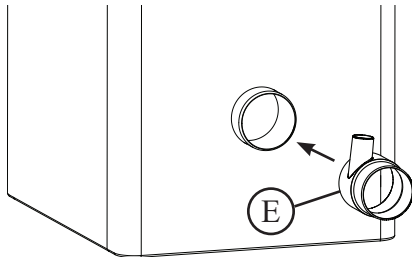
- 2.** Position clamps D on rear rail or brackets and tighten set screws.



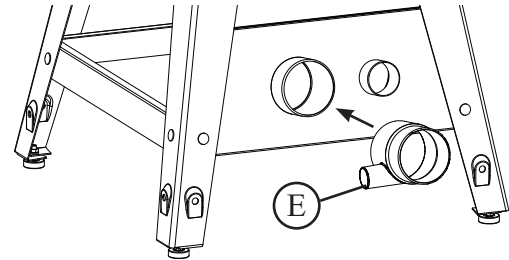
- 3.** Tighten the screws that clamp tube C.



- 4.** Slide splitter E onto the dust port at rear of saw oriented as shown below.

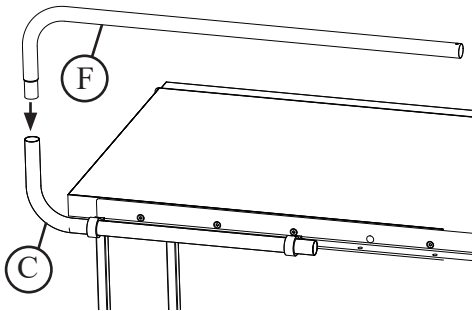


(for a cabinet saw)

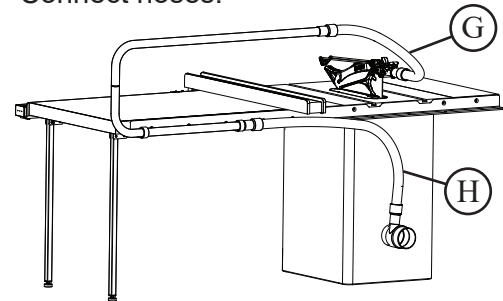


(for a contractor saw)

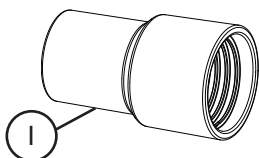
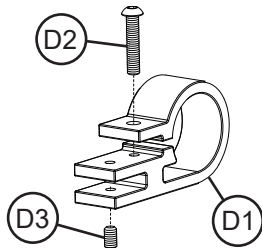
- 5.** Insert tube F into tube C.



- 6.** Connect hoses.



Contractor saw: make sure hose clears motor as the blade moves through its full range of elevation and tilt.



hose connector
(placed on each end of hose)

Item	Description	Part number	Qty
A	L-Bracket	TSA-ODC-001	2
B	M8x1.25x20 Hex Head Bolts	TSA-ODC-002	2
C	Lower Dust Tube	TSA-ODC-003	1
D1	Dust Tube Clamp	TSA-ODC-004	2
D2	M6x1x30 Button Head Screw	TSA-ODC-005	2
D3	M6x1x10 Set Screw	TSA-ODC-006	2
E	Dust Port Splitter	TSA-ODC-007	1
F	Upper Dust Tube	TSA-ODC-008	1
G	Short Dust Hose (without hose connectors)	TSA-ODC-009	1
H	Long Dust Hose (without hose connectors)	TSA-ODC-010	1
I	1.5" Hose Connector	TSA-ODC-011	4
-	SawStop Label (installed on upper metal tube)	TSA-ODC-012	1