

SawStop®

CAST IRON EXTENSION WINGS INSTALLATION INSTRUCTIONS

The cast iron extension wings attach to the right and left sides of your contractor saw and replace the stamped metal extension wings. Notice that each cast iron extension wing has a beveled front edge. Position one of the extension wings next to the left side of the table and make sure the beveled edge is facing the front of the saw (see Fig. 1).

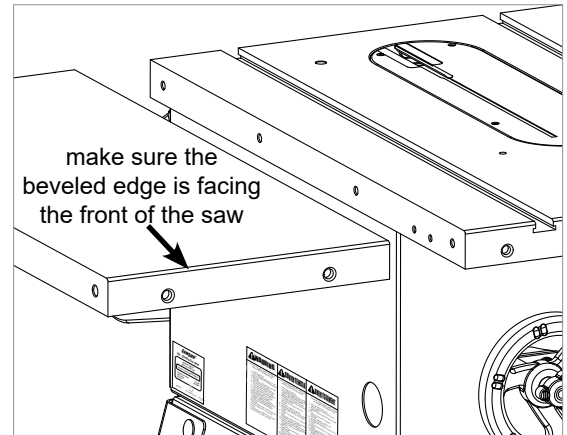


Fig. 1

The side of the extension wing next to the saw has four larger holes. Align those holes with the corresponding four threaded holes on the side of the saw table. Mount the extension wing to the table with four M8 lock washers and four M8 x 20 hex head screws (see Fig. 2), but do not tighten the screws. Repeat the same procedure to mount the other extension wing to the right side of the table. You must now level the extension wings and tighten the bolts. The instructions for that are in step 21 of the assembly instructions for your saw which are in the owner's manual and on the assembly poster that came with your saw.

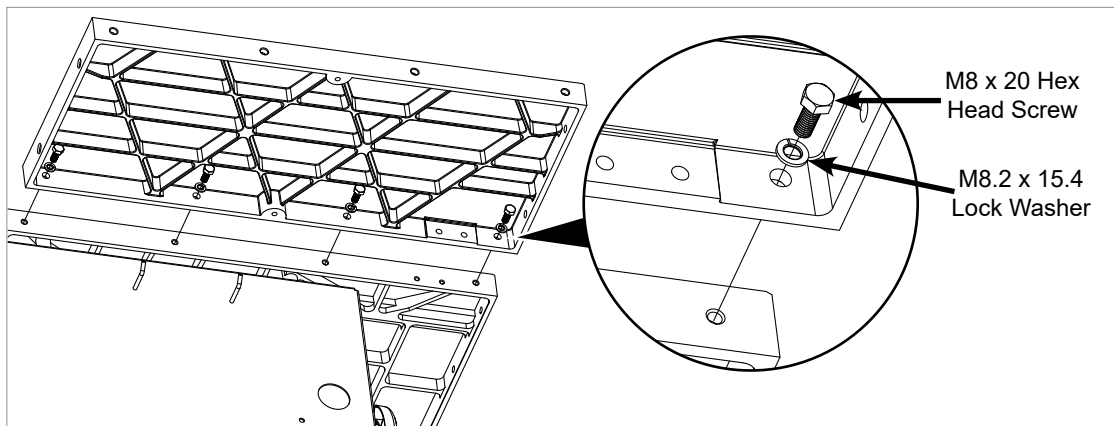


Fig. 2

Cast Iron Extension Wing Parts List

Description	Part No.	Qty.
Cast Iron Extension Wing (includes hardware pack)	CNS-07-017	1
Hardware Pack for Cast Iron Extension Wing	CNS-07-258	1