



Models CTS-120A60 and CTS-230A50I

COMPACT TABLE SAW

CTS™ Parts Lists

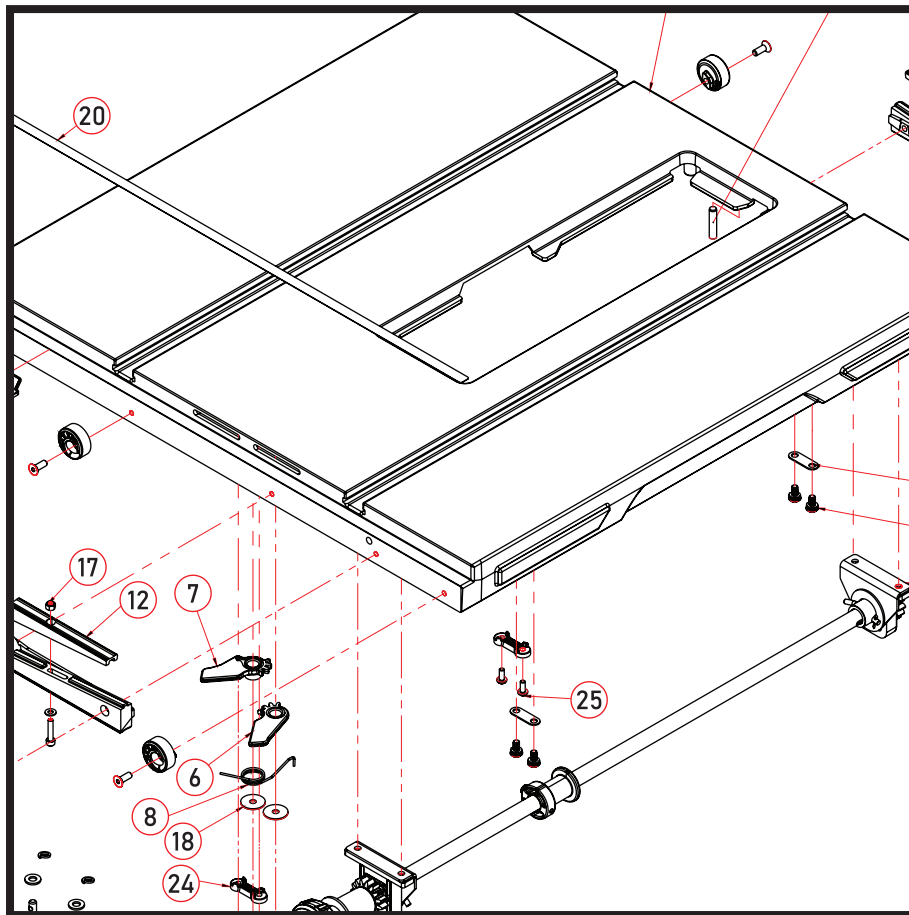


Table of Contents

Table - CTS-001	4
Front Rail - CTS-002	5
Rear Rail - CTS-003	6
Fence Rails Hardware Bag - CTS-004	7
Puck - CTS-005	8
Fence Stop - CTS-006	9
Fence Lens - CTS-007	10
Rail Lock Handle - CTS-010	11
Rail Lock Pinion - CTS-011	12
Rail Lock Rocker - CTS-012	13
Dust Shroud - CTS-013	14
Dust Curtain - CTS-014	15
Motor Cover - CTS-015	16
Trunnion Motor Cover - CTS-016	17
Frame Handle - CTS-017	18
Front Panel - CTS-018	19
Front-Right Support Foot - CTS-019	20
Front-Left Support Foot - CTS-020	21
Rear-Right Support Foot - CTS-021	22
Rear-Left Support Foot - CTS-022	23
Rear-Center Support Foot - CTS-023	24
Support Foot - CTS-024	25
Cord Retainer Clamp - CTS-025	26
Cord Wrap Retainer - CTS-026	27
Brake Cartridge Bracket - CTS-027	28
Retraction Bracket - CTS-029	29
Retraction Block - CTS-030	30
Arbor Nut Hardware Bag - CTS-031	31
Alignment Block - CTS-032	32
Elevation Bevel Handwheel - CTS-033	33
Bevel Assembly - CTS-034	34
Bevel Rack - CTS-035	35
Elevation Control Shaft - CTS-036	36
U-Joint - CTS-037	37
Switch Box Assembly - CTS-071	38
Switch Box Assembly - CTS-038	39



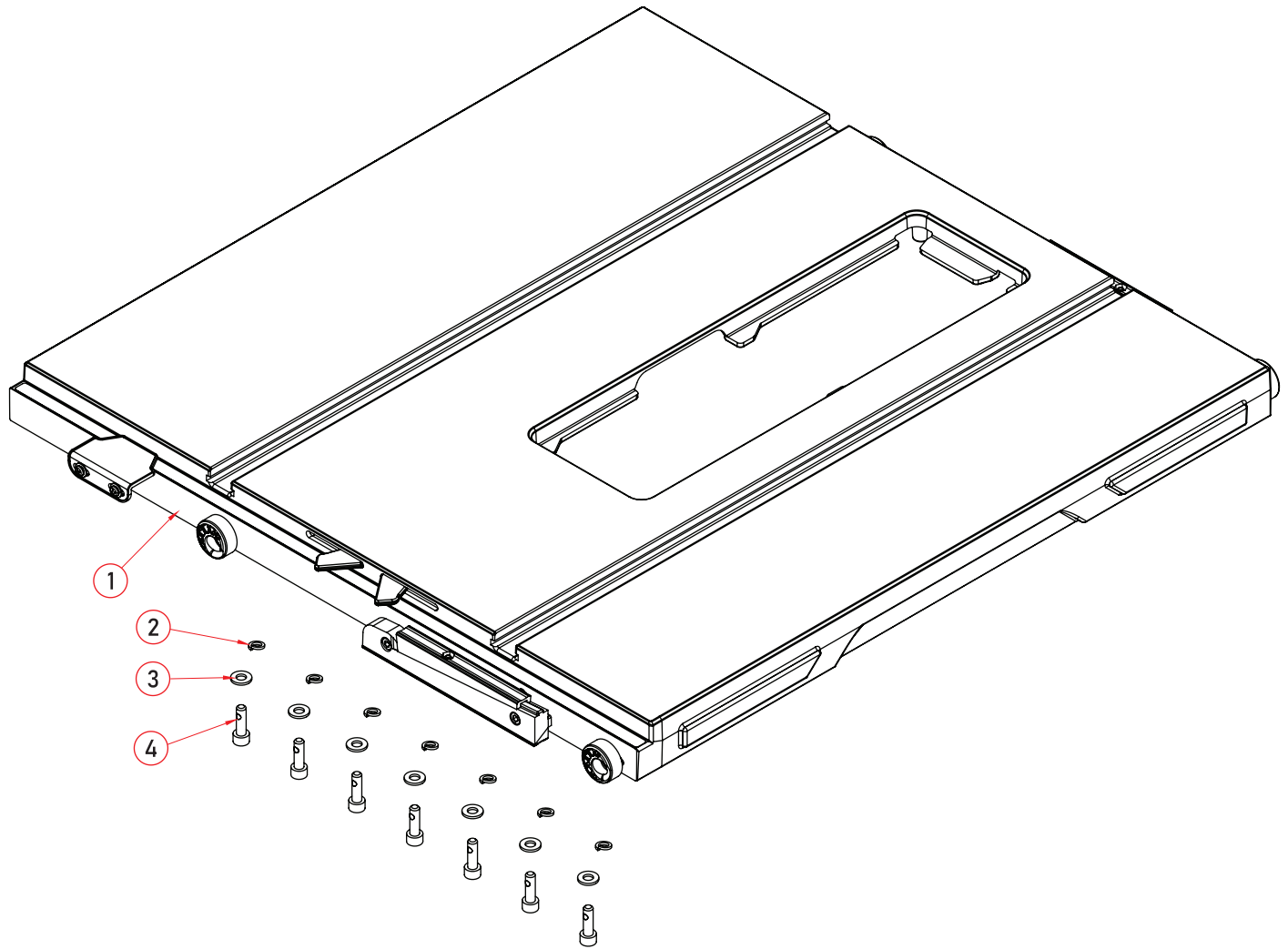
120VAC Power Cable - CTS-039	40
230VAC Power Cable - CTS-040	41
Cable Assembly and EMC Filter - CTS-041	42
120V, 60Hz Motor - CTS-042	43
230V, 50Hz Motor - CTS-043	44
Motor Brush - CTS-045	45
Standard Table Saw Insert - CTS-TSI	46
Table Insert Latch Assembly - CTS-009	47
Micro-Guard Blade Guard Assembly - CTS-MG	48
Micro-Guard Blade Guard Top Assembly - CTS-047	49
Anti-Kickback Pawl Assembly - CTS-048	50
Riving Knife Clamp Assembly - CTS-049	51
Spreader - CTS-050	52
Riving Knife - CTS-051	53
Fence Assembly - CTS-052	54
Front-Fence Head Assembly - CTS-053	55
Rear-Fence Head Assembly - CTS-054	56
Fence Tube Assembly - CTS-055	57
Fence Shelf Assembly - CTS-056	58
Storage Assembly - CTS-057	59
Storage Box Lock Handle - CTS-058	60
Storage Box Insert - CTS-059	61
Miter Gauge Assembly - CTS-065	62
Push Stick - CTS-066	63
Arbor Nut Wrench - CTS-067	64
Arbor Flange Wrench - CTS-068	65
4mm Hex L-Wrench - CTS-069	66
Ruler Label - CTS-073	67
Ruler Label (Metric) - CTS-074	68
Tilt Label - CTS-075	69
Front Logo Label - CTS-076	70
Storage Logo Label - CTS-077	71
Extension Leg - CTS-060	72
CTS Clamp - CTS-061	73
Stand Frame Bumper - CTS-062	74
Stand Pivot Hardware Bag - CTS-063	75
Stand Hardware Bag - CTS-064	76



Table

Part Number: CTS-001

Description: Table, Replacement, CTS



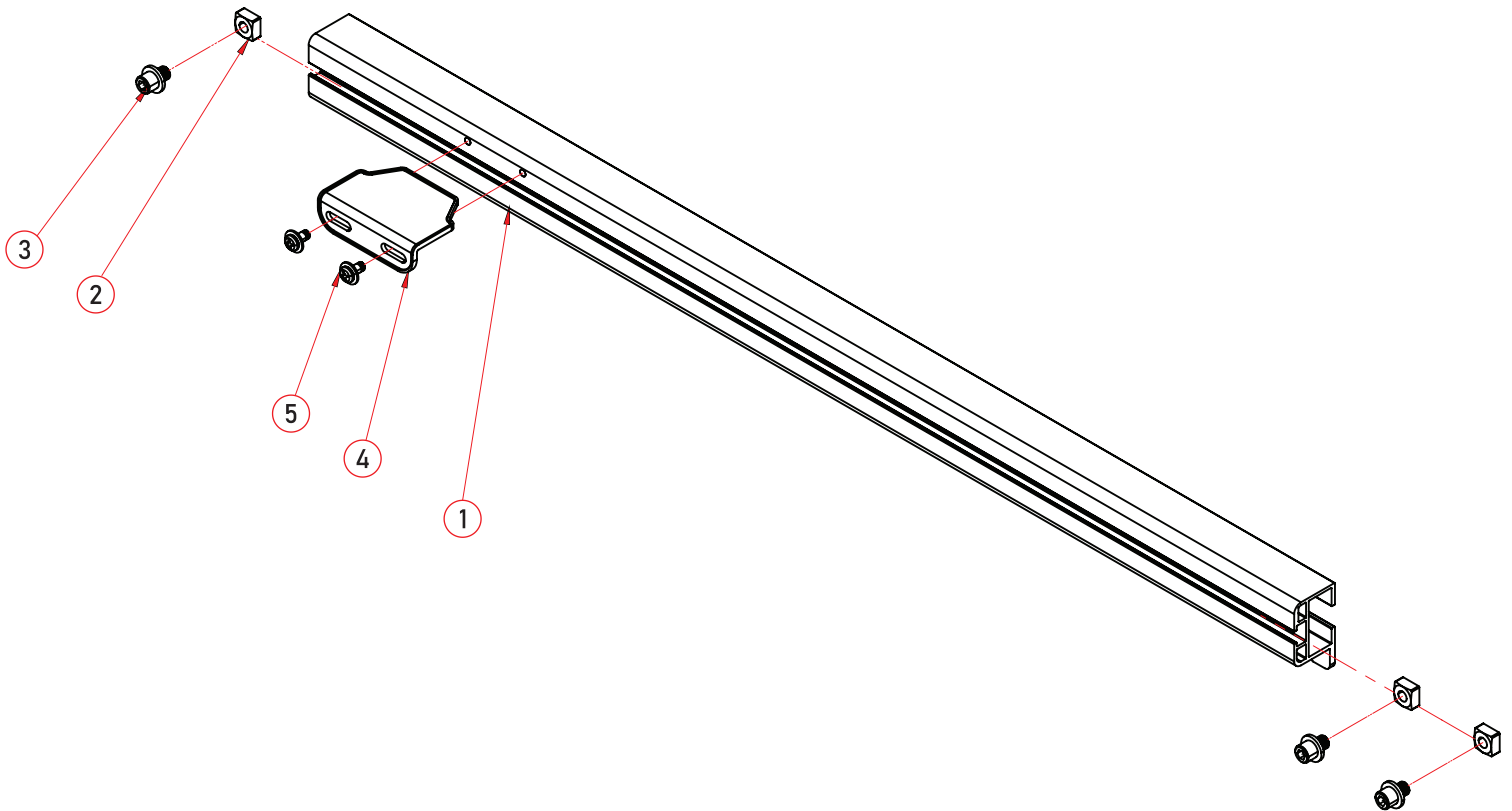
BILL OF MATERIALS

ITEM NO.	DESCRIPTION	QTY
1	Table, CTS	1
2	Bolt, M6x1.0, 20mm, Loctite, Socket Head Cap, Black Zinc	7
3	Washer, M6, Flat, 13mm ODx1.5mm THK, Black Zinc	7
4	Washer, M6, Lock, Black Zinc	7

Front Rail

Part Number: CTS-002

Description: Rail, Front, Replacement, CTS



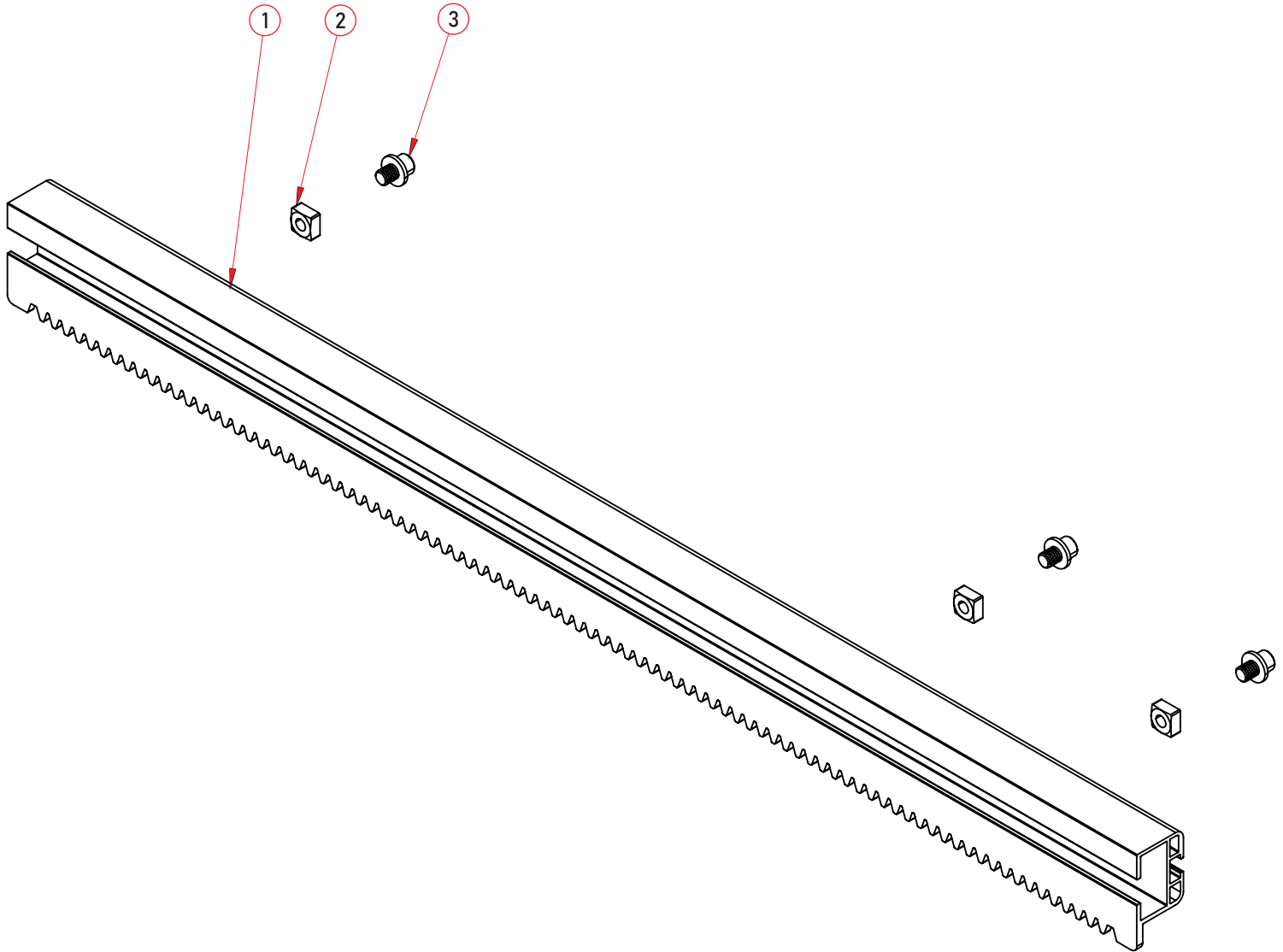
BILL OF MATERIALS

ITEM NO.	DESCRIPTION	QTY
1	Rail, Front, CTS	1
2	Nut, M6x1.0, Square, Black Zinc	3
3	Bolt, M6x1.0, 6mm, Hex Flange Head, Black Zinc	3
4	Lens, Position Indicator, Fence, CTS	1
5	Bolt, M4x0.7, 8mm, Flat Washer, Pan Head, Phillips, Silver Zinc	2

Rear Rail

Part Number: CTS-003

Description: Rail, Rear, Replacement, CTS

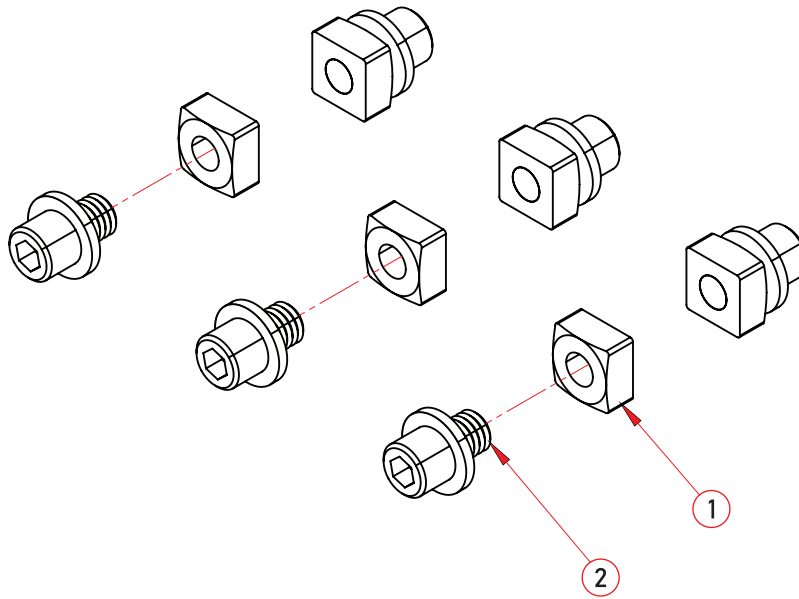


BILL OF MATERIALS		
ITEM NO.	DESCRIPTION	QTY
1	Rail, Rear, CTS	1
2	Nut, M6x1.0, Square, Black Zinc	3
3	Bolt, M6x1.0, 6mm, Hex Flange Head, Black Zinc	3

Fence Rails Hardware Bag

Part Number: CTS-004

Description: Hardware Bag, Fence Rails, CTS



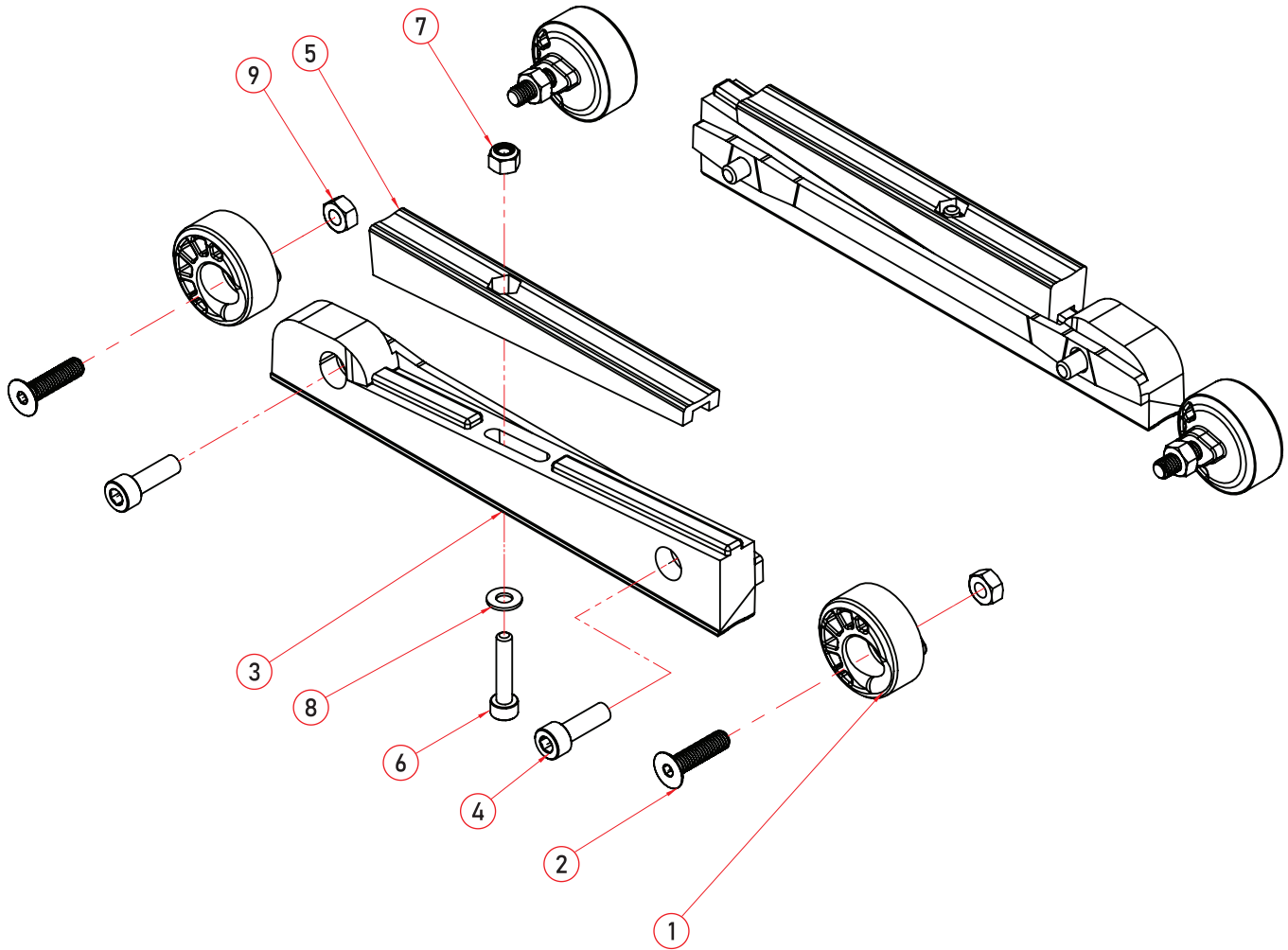
BILL OF MATERIALS		
ITEM NO.	DESCRIPTION	QTY
1	Nut, M6x1.0, Square, Black Zinc	6
2	Bolt, M6x1.0, 6mm, Hex Flange Head, Black Zinc	6



Puck

Part Number: CTS-005

Description: Puck, Replacement, CTS



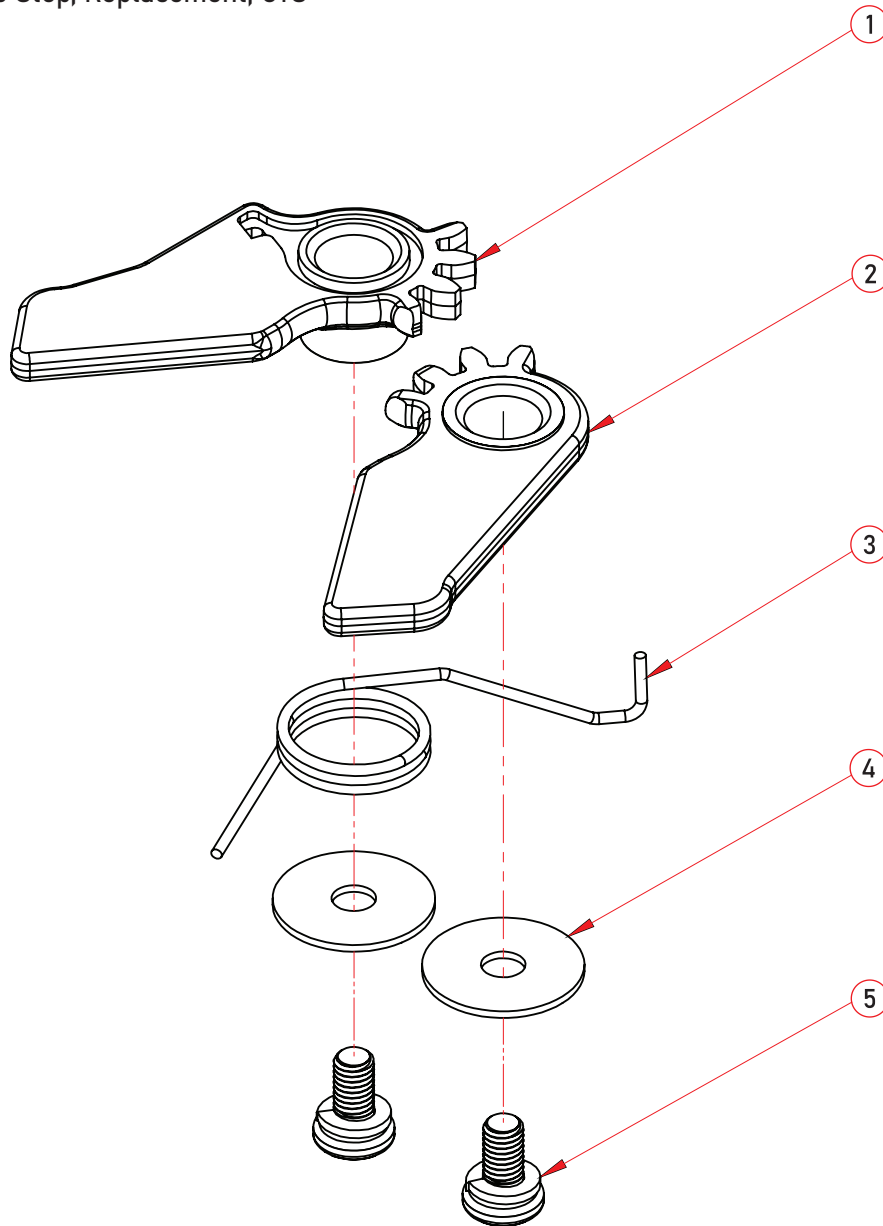
BILL OF MATERIALS

ITEM NO.	DESCRIPTION	QTY
1	Puck, End, Inner Rail, CTS	4
2	Bolt, M5x0.8, 14mm, Flat Head, Socket, 12.9 Alloy, Loctite, Silver Zinc	4
3	Puck, Base, Inner Rail, CTS	2
4	Bolt, M5x0.8, 16mm, Socket Head Cap, 12.9 Alloy, Loctite, Silver Zinc	4
5	Puck, Upper, Inner Rail, CTS	2
6	Bolt, M4x0.7, 20mm, Socket Head Cap, Black Zinc	2
7	Nut, M4x0.7, Nylon Insert, Black Zinc	2
8	Washer, M4, Flat, 9mm ODx0.8 THK, Silver Zinc	2
9	Nut, M5x0.8, Black Zinc	4

Fence Stop

Part Number: CTS-006

Description: Fence Stop, Replacement, CTS



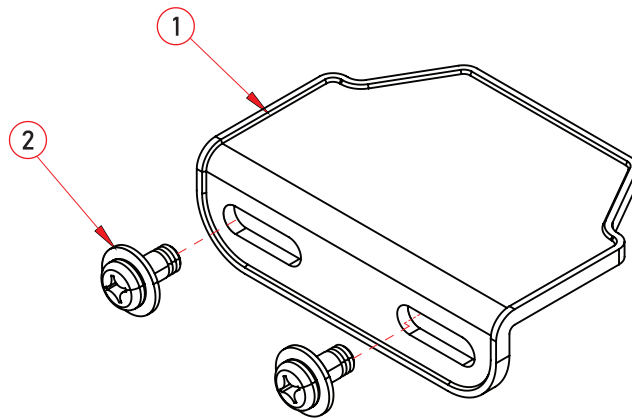
BILL OF MATERIALS

ITEM NO.	DESCRIPTION	QTY
1	Stop, Left, Fence, CTS	1
2	Stop, Right, Fence, CTS	1
3	Spring, Fence Stop, CTS	1
4	Washer, M5, Flat, 20mm ODx1mm THK, Black Zinc	2
5	Bolt M5x0.8, 10mm, Loctite, Lock Washer, Button Head, Phillips, Black Zinc	2

Fence Lens

Part Number: CTS-007

Description: Lens, Fence, Replacement, CTS



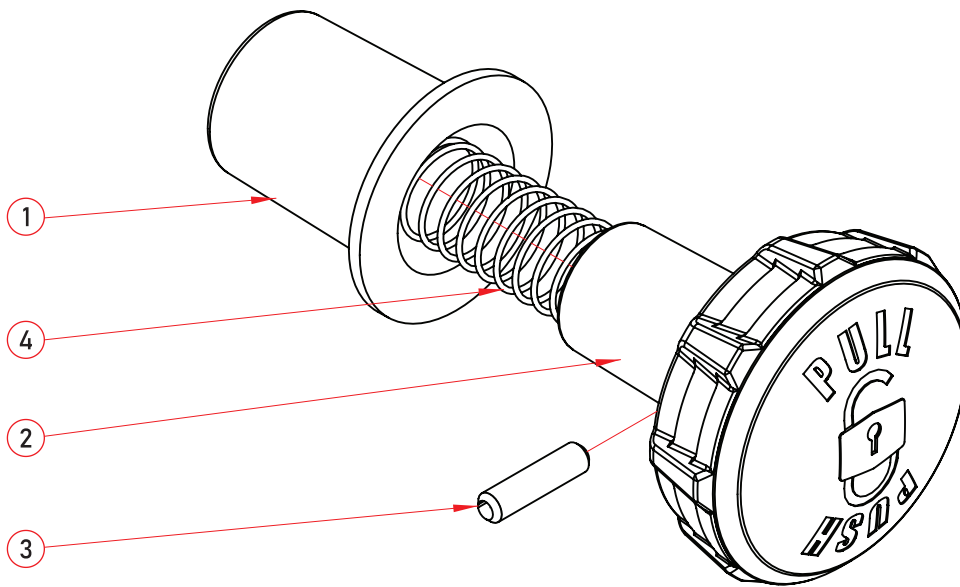
BILL OF MATERIALS

ITEM NO.	DESCRIPTION	QTY
1	Leans, Position Indicator, Fence, CTS	1
2	Bolt, M4x0.7, 8mm, Flat Washer, Pan Head, Phillips, Silver Zinc	2

Rail Lock Handle

Part Number: CTS-010

Description: Handle, Rail Lock, Replacement, CTS



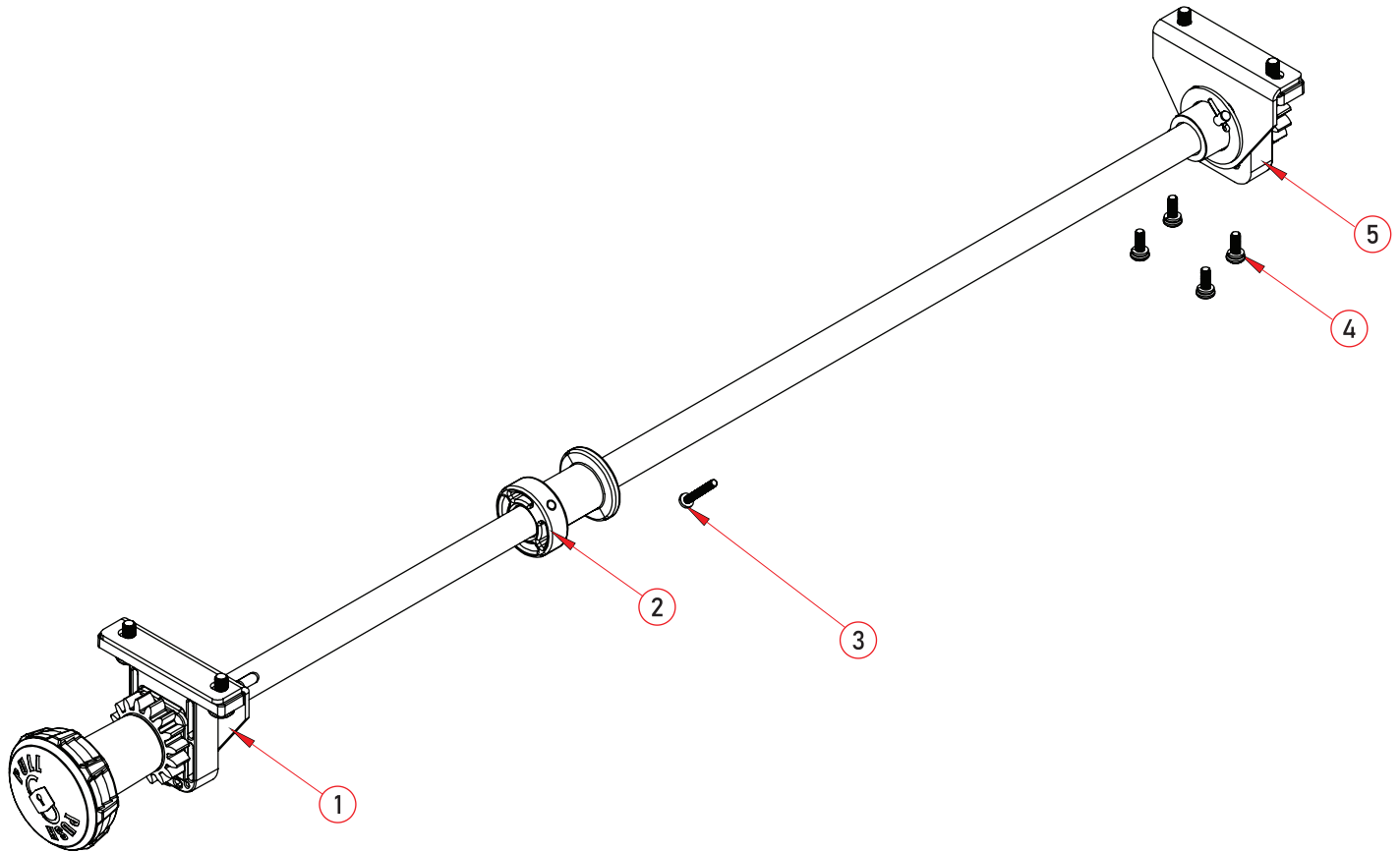
BILL OF MATERIALS

ITEM NO.	DESCRIPTION	QTY
1	Sleeve, Rail Lock, Handle, CTS	1
2	Handle, Rail Lock, CTS	1
3	Pin, Spring, 4x18	1
4	Spring, Rail Lock, Handle, CTS	1

Rail Lock Pinion

Part Number: CTS-011

Description: Pinion, Rail Lock, Replacement, CTS



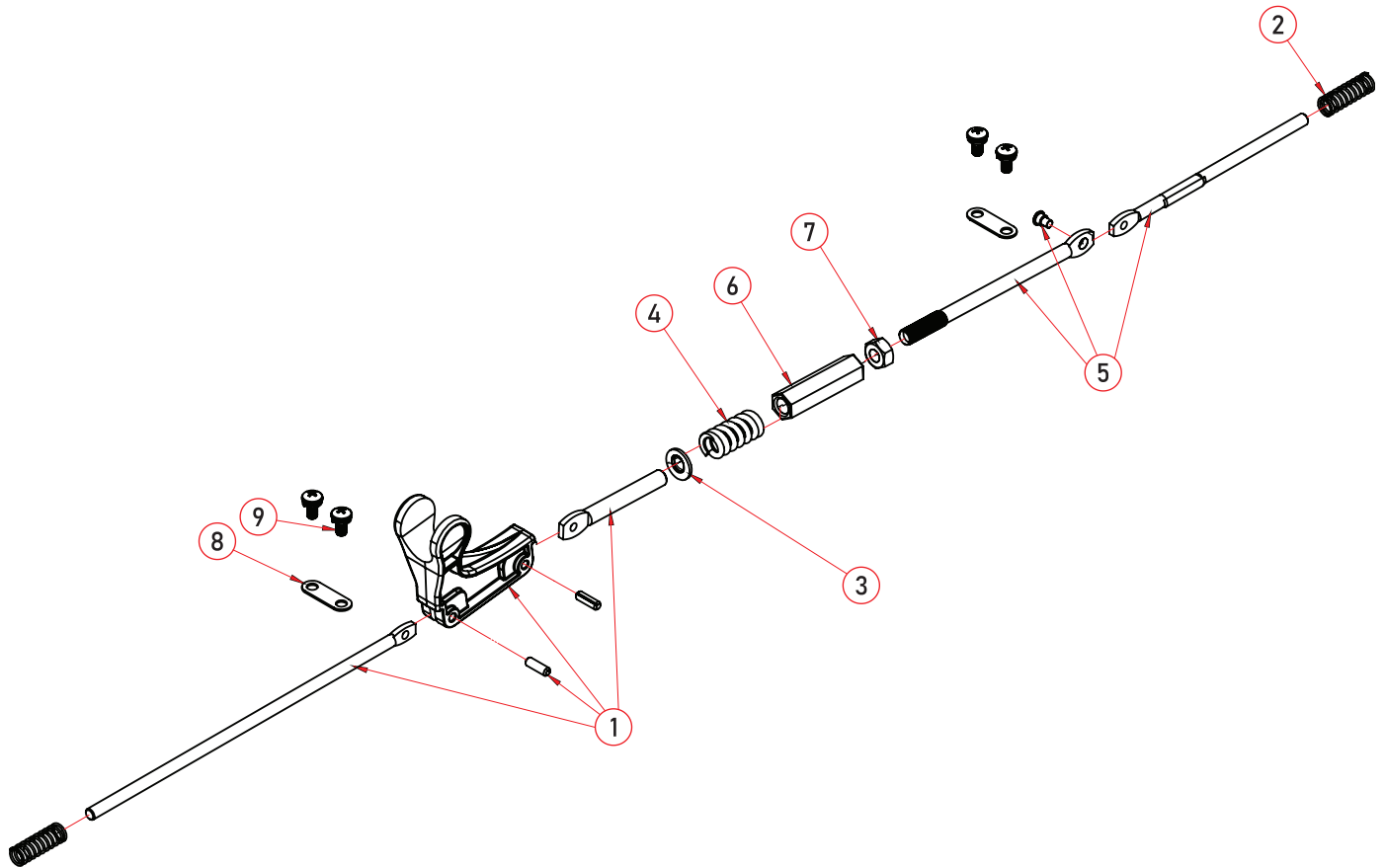
BILL OF MATERIALS

ITEM NO.	DESCRIPTION	QTY
1	Main Rail Lock Pinion Assembly	1
2	Guide, Shaft Bushing, Rocker, CTS	1
3	Bolt, M4x0.7, 30mm, Button Head, Phillips, Black Zinc	1
4	Bolt, M5x0.8, 14mm, Locktite, Lock Washer, Buttong Head, Phillips, Black Zinc	4
5	Rear Rail Lock Pinion Assembly	1

Rail Lock Rocker

Part Number: CTS-012

Description: Rocker, Rail Lock, Replacement, CTS



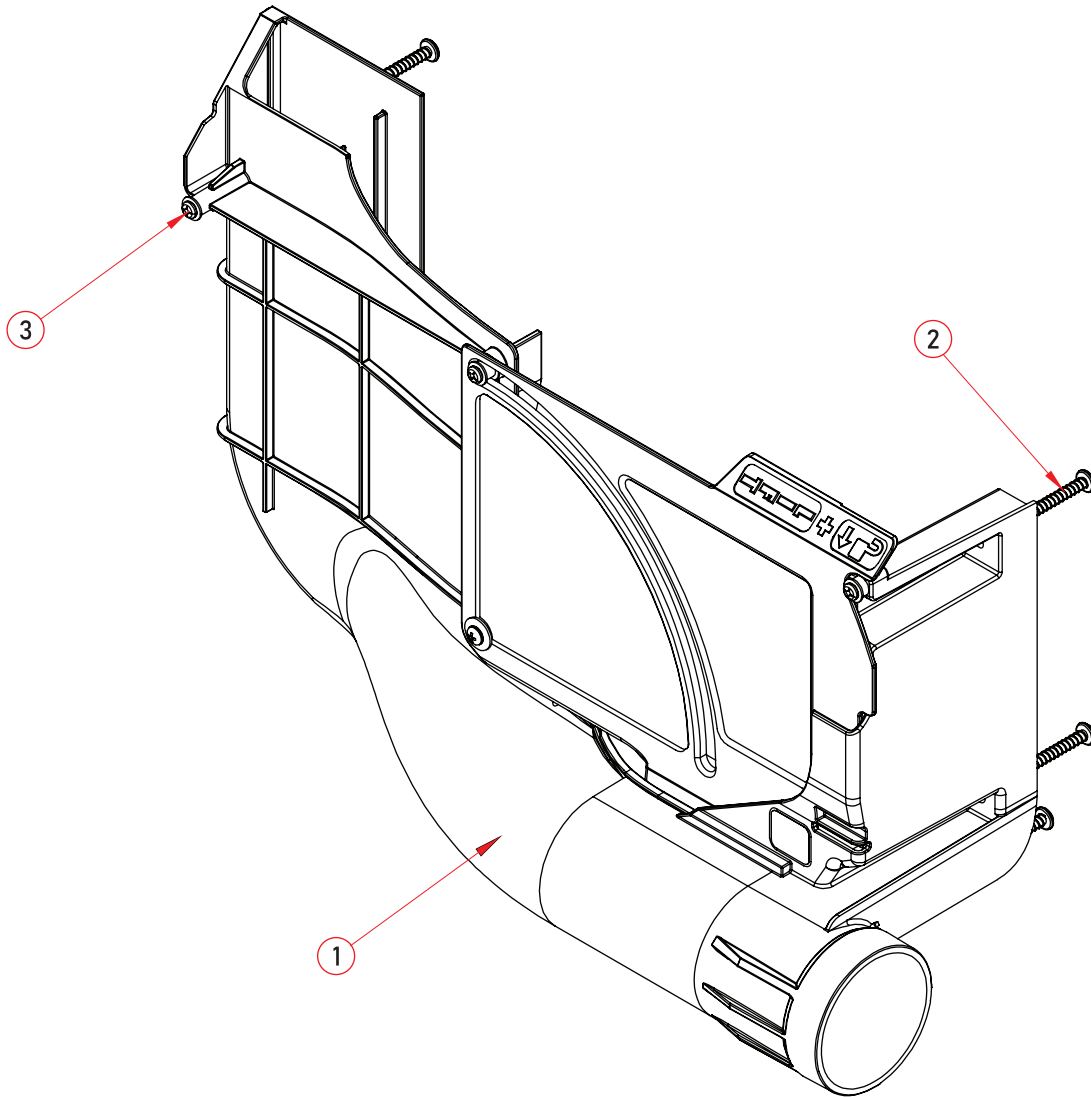
BILL OF MATERIALS

ITEM NO.	DESCRIPTION	QTY
1	Rail Lock Rocker Assembly, CTS	1
2	Spring, Rail Lock, Pivot Return, CTS	2
3	Washer, M8, Flat, 16mm ODx1.5mm THK, Black Zinc	1
4	Spring, 30mm, Rail Lock, Rocker, CTS	1
5	Rail Lock Link Assembly, CTS	1
6	Bushing, M8x1.25, 50mm, Partially Threaded, Rail Lock, Nut, CTS	1
7	Nut, M8x1.25, 13mm, Hex	1
8	Strap, Rail Lock, CTS	2
9	Bolt, M5x0.8, 10mm, Loctite, Lock Washer, Button Head, Phillips, Black Zinc	4

Dust Shroud

Part Number: CTS-013

Description: Dust Shroud, Replacement, CTS



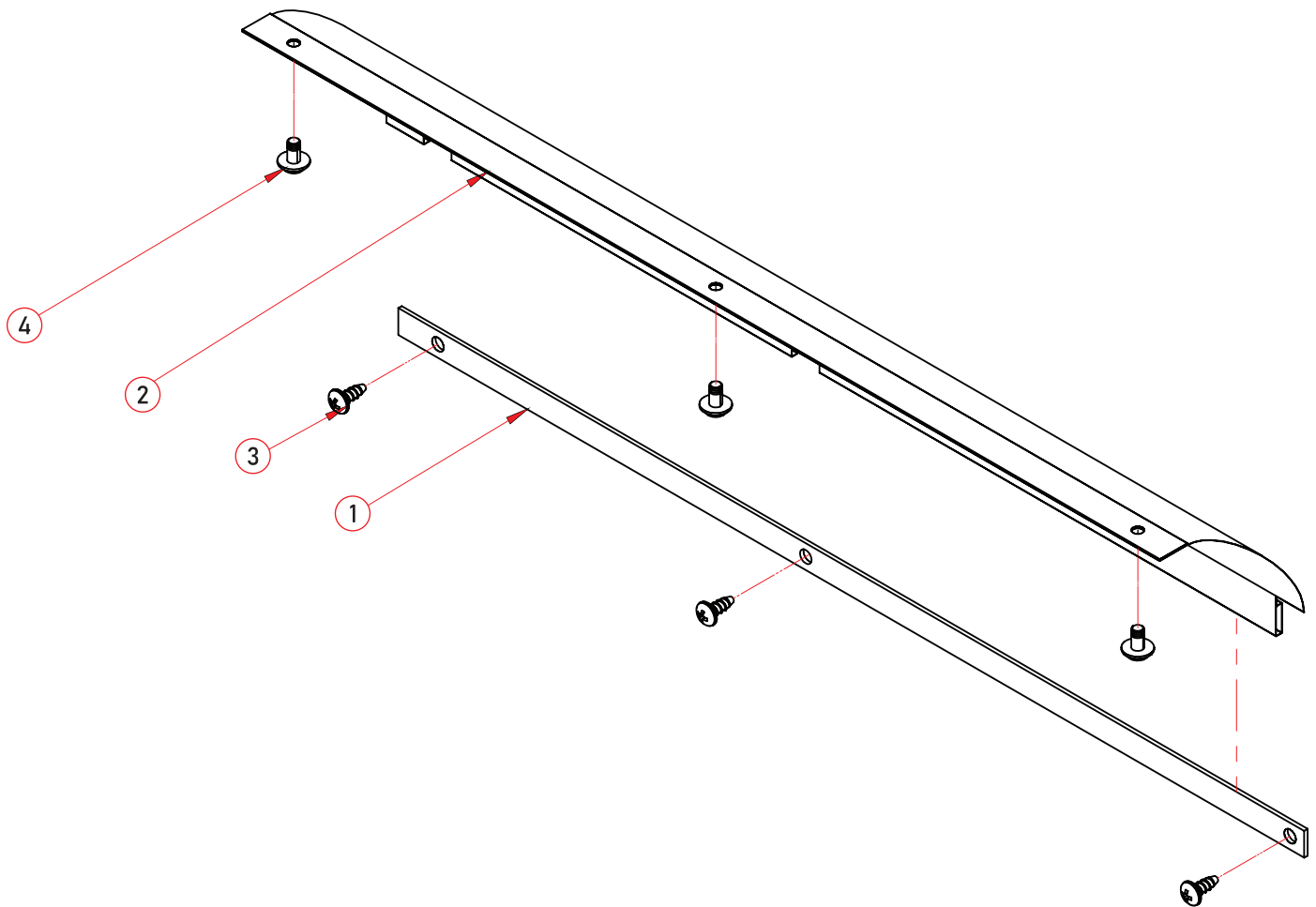
BILL OF MATERIALS

ITEM NO.	DESCRIPTION	QTY
1	Dust Shroud Assembly, CTS	1
2	Screw, M5x2.2, 45mm, Pan Head, Phillips, Thread Cutting, Black Zinc	5
3	Bolt, M4x0.7, 8mm, Flat Washer, Pan Head, Phillips, Silver Zinc	3

Dust Curtain

Part Number: CTS-014

Description: Dust Curtain, Replacement, CTS



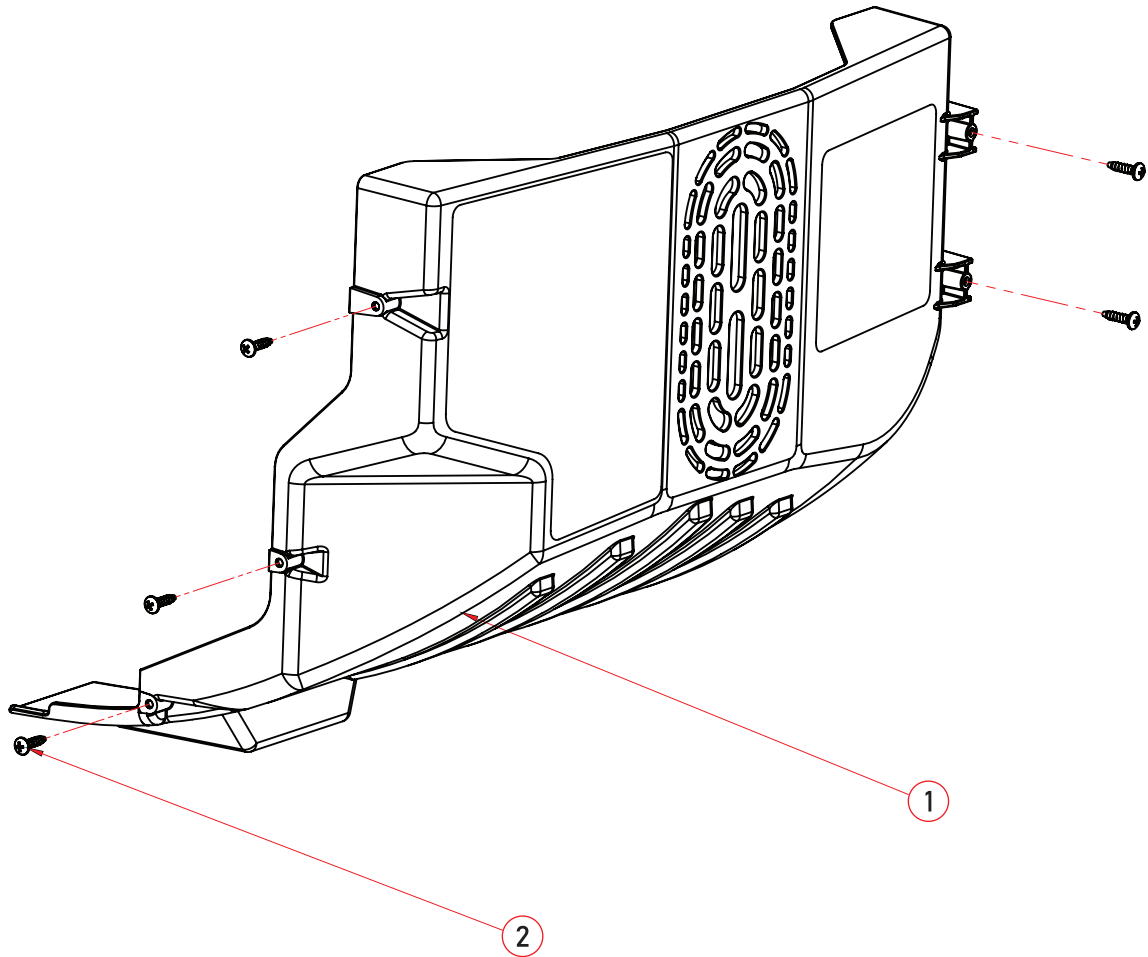
BILL OF MATERIALS

ITEM NO.	DESCRIPTION	QTY
1	Bar, Dust Shroud, CTS	1
2	Cover, Dust Shroud, Bevel, CTS	1
3	Screw, M4x1.8, 10mm, Button head, Phillips, Thread Cutting, Black Zinc	3
4	Bolt, M4x0.7, 8mm, Flat Washer, Pan Head, Phillips, Silver Zinc	3

Motor Cover

Part Number: CTS-015

Description: Motor, Cover, Replacement, CTS

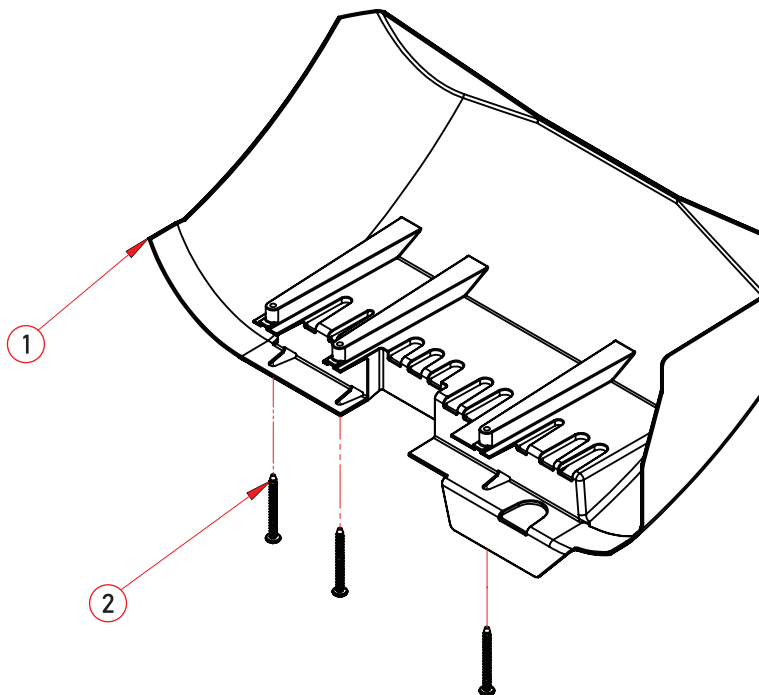


BILL OF MATERIALS		
ITEM NO.	DESCRIPTION	QTY
1	Cover, Motor, CTS	1
2	Screw, M4x1.8, 16mm, Button Head, Phillips, Thread Cutting, Black Zinc	5

Trunnion Motor Cover

Part Number: CTS-016

Description: Motor Cover, Trunnion, Replacement, CTS

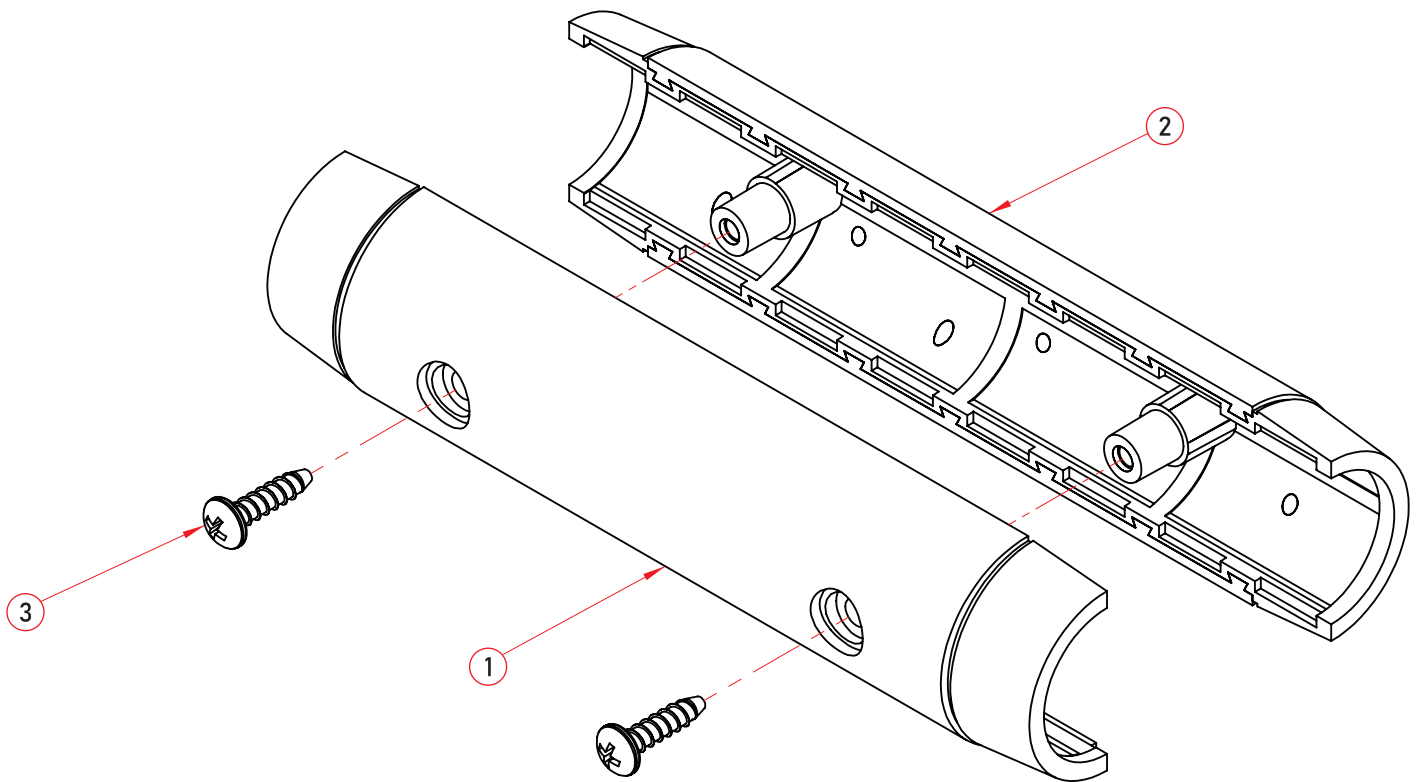


BILL OF MATERIALS		
ITEM NO.	DESCRIPTION	QTY
1	Motor Cover, Trunnion, CTS	1
2	Screw, M4x1.8, 40mm, Button Head, Phillips, Thread Cutting, Black Zinc	3

Frame Handle

Part Number: CTS-017

Description: Handle, Frame, Replacement, CTS



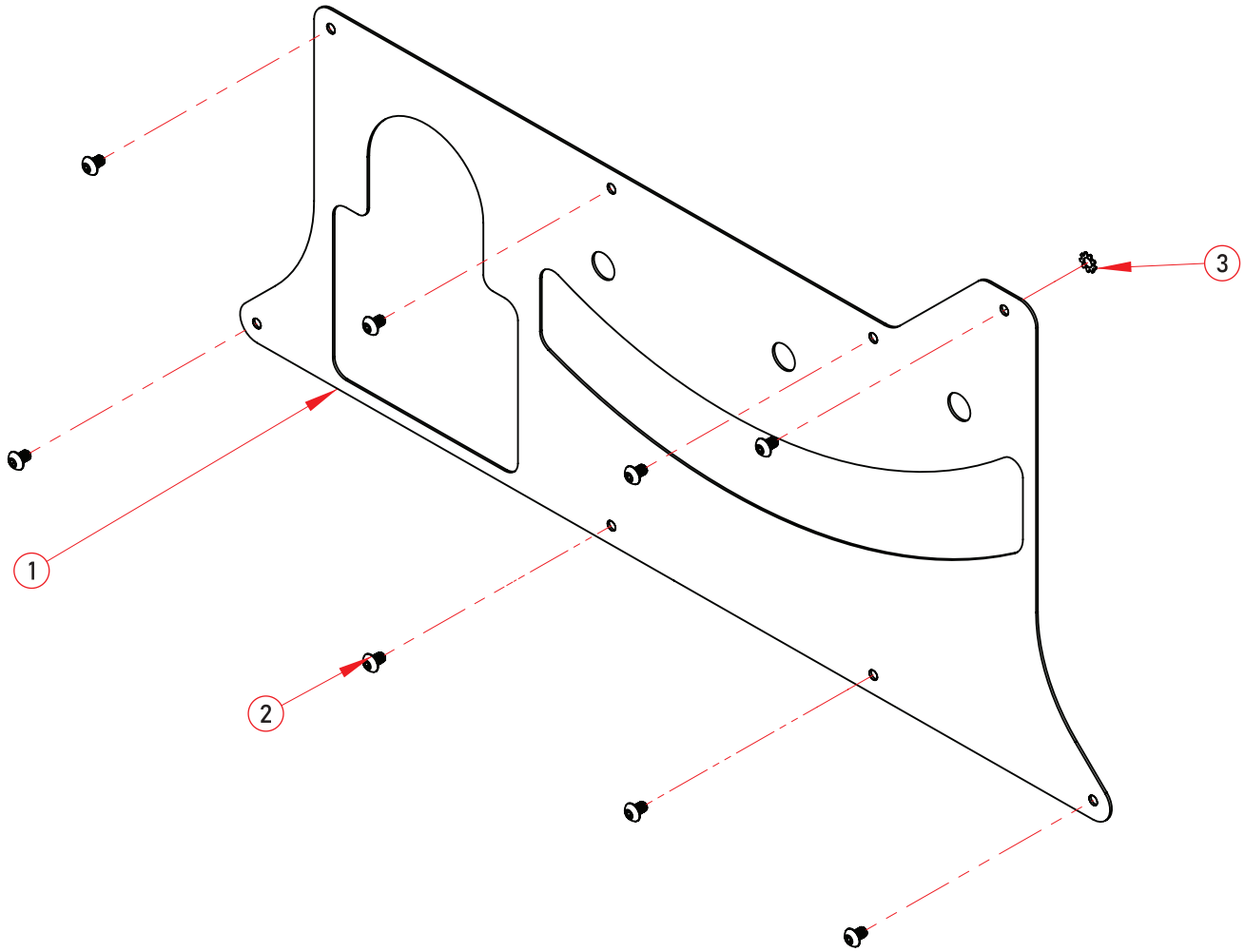
BILL OF MATERIALS

ITEM NO.	DESCRIPTION	QTY
1	Handle, Frame, Inner, CTS	1
2	Handle, Frame, Outer, CTS	1
3	Screw, M4x1.8, 16mm, Button Head, Phillips, Thread Cutting, Black Zinc	2

Front Panel

Part Number: CTS-018

Description: Panel, Front, Replacement, CTS

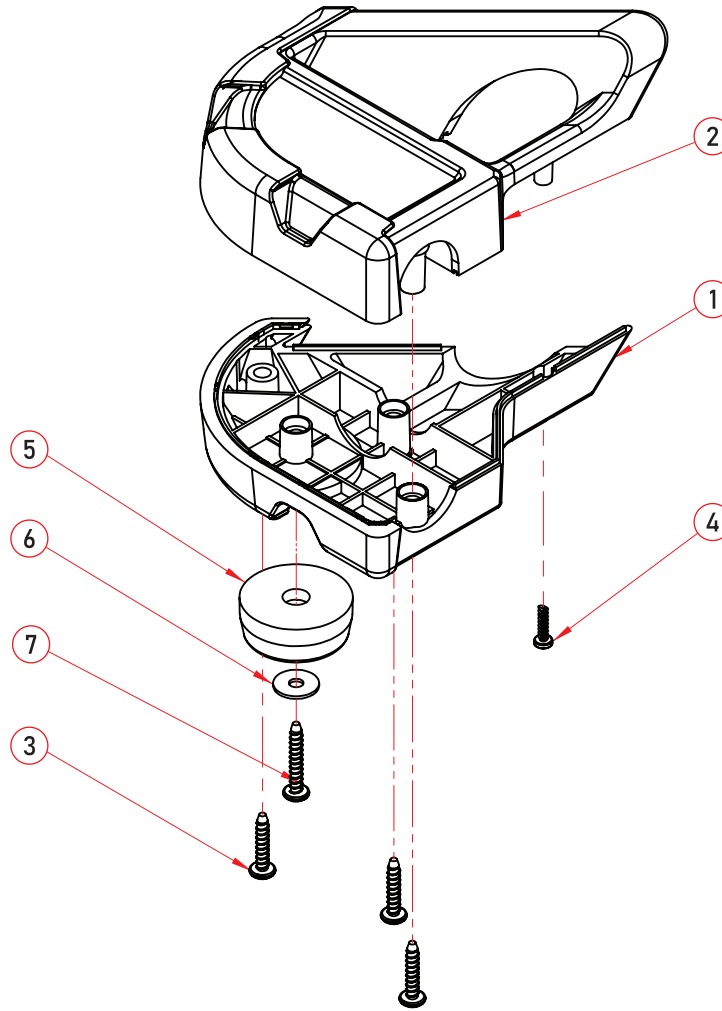


BILL OF MATERIALS		
ITEM NO.	DESCRIPTION	QTY
1	Panel, Frame, Front, Lower, CTS	1
2	Screw, M4x0.7, 6mm, Pan Head, Torx, Black Zinc	8
3	Washer, M4, External Tooth, Lock, Silver Zinc	1

Front-Right Support Foot

Part Number: CTS-019

Description: Support Foot, Front, Right, Replacement, CTS



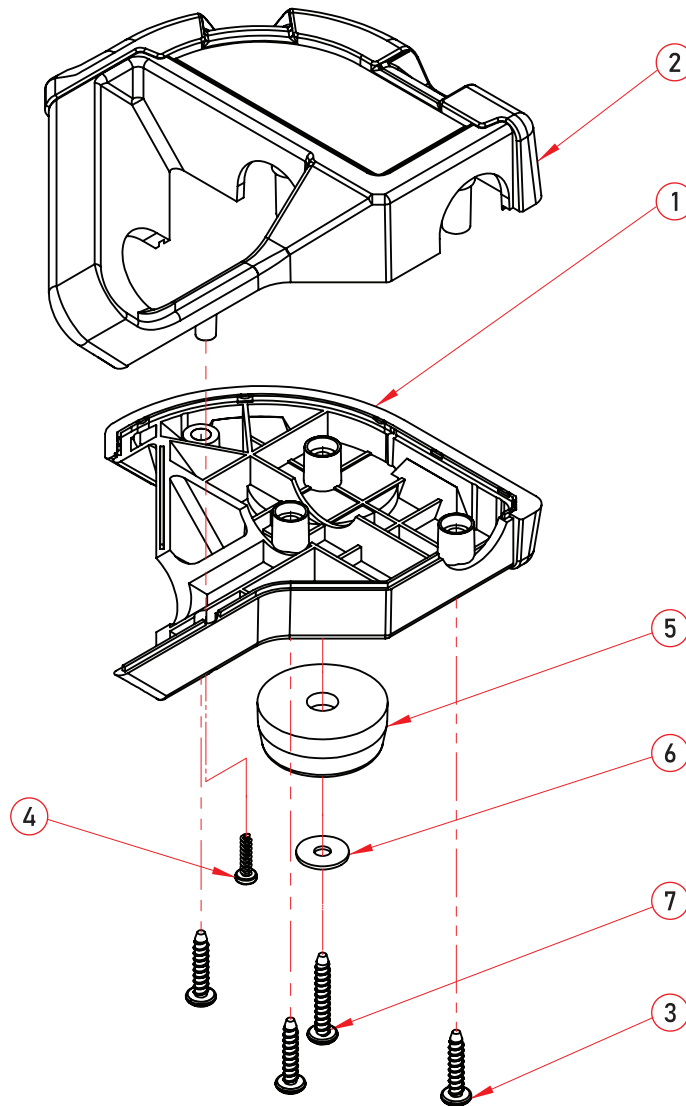
BILL OF MATERIALS

ITEM NO.	DESCRIPTION	QTY
1	Support Foot, Lower, Front, Right, CTS	1
2	Support Foot, Upper, Front, Right, CTS	1
3	Screw, M4x1.8, 20mm, Button Head, Phillips, Thread Cutting, Black Zinc	3
4	Screw, M3x1.4, 12mm, Button Head, Phillips, Thread Cutting, Black Zinc	1
5	Foot, Support, CTS	1
6	Washer, M4, Flat, 14mm ODx1mm THK, Black Zinc	1
7	Screw, M4x1.8, 25mm, Button Head, Phillips, Thread Cutting, Black Zinc	1

Front-Left Support Foot

Part Number: CTS-020

Description: Support Foot, Front, Left, Replacement, CTS



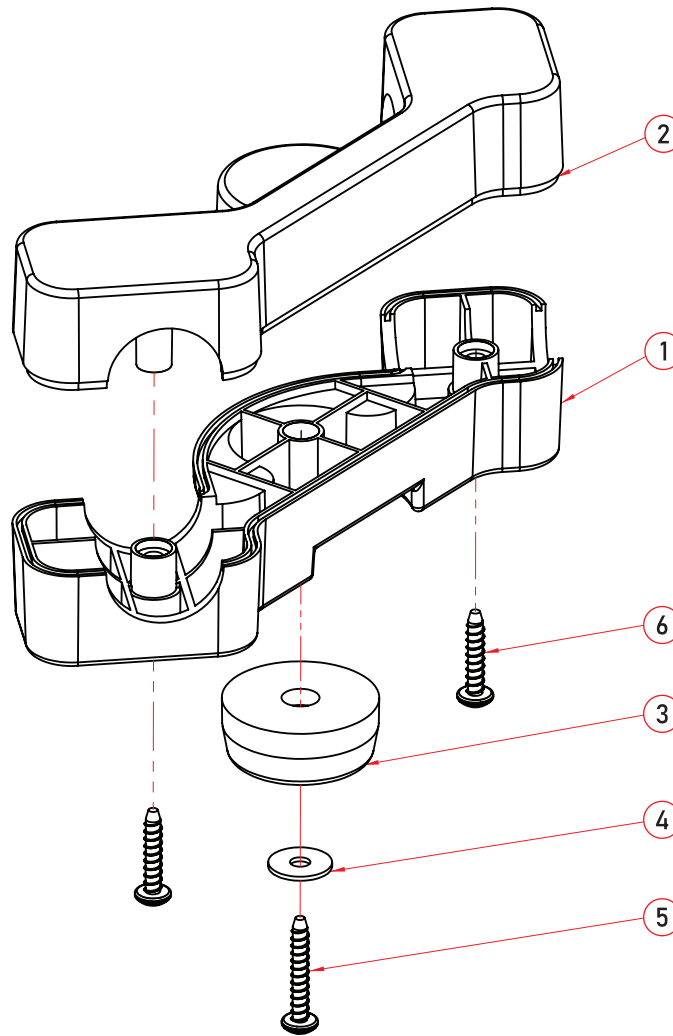
BILL OF MATERIALS

ITEM NO.	DESCRIPTION	QTY
1	Support Foot, Lower, Front, Left, CTS	1
2	Support Foot, Upper, Front, Left, CTS	1
3	Screw, M4x1.8, 20mm, Button Head, Phillips, Thread Cutting, Black Zinc	3
4	Screw, M3x1.4, 12mm, Button Head, Phillips, Thread Cutting, Black Zinc	1
5	Foot, Support, CTS	1
6	Washer, M4, Flat, 14mm ODx1mm THK, Black Zinc	1
7	Screw, M4x1.8, 25mm, Button Head, Phillips, Thread Cutting, Black Zinc	1

Rear-Right Support Foot

Part Number: CTS-021

Description: Support Foot, Rear, Right, Replacement, CTS



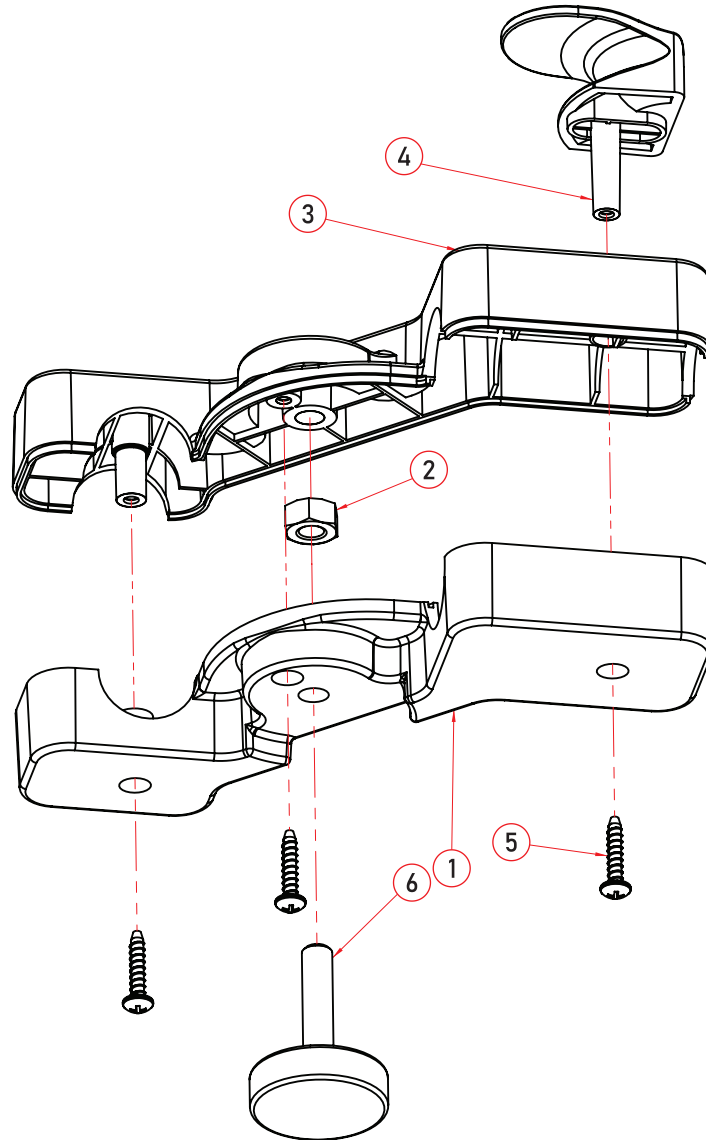
BILL OF MATERIALS

ITEM NO.	DESCRIPTION	QTY
1	Support Foot, Lower, Rear, Right, CTS	1
2	Support Foot, Upper, Rear, Right, CTS	1
3	Foot, Support, CTS	1
4	Washer, M4, Flat, 14mm ODx1mm THK, Black Zinc	1
5	Screw, M4x1.8, 25mm, Button Head, Phillips, Thread Cutting, Black Zinc	1
6	Screw, M4x1.8, 20mm, Button Head, Phillips, Thread Cutting, Black Zinc	2

Rear-Left Support Foot

Part Number: CTS-022

Description: Support Foot, Rear, Left, Replacement, CTS



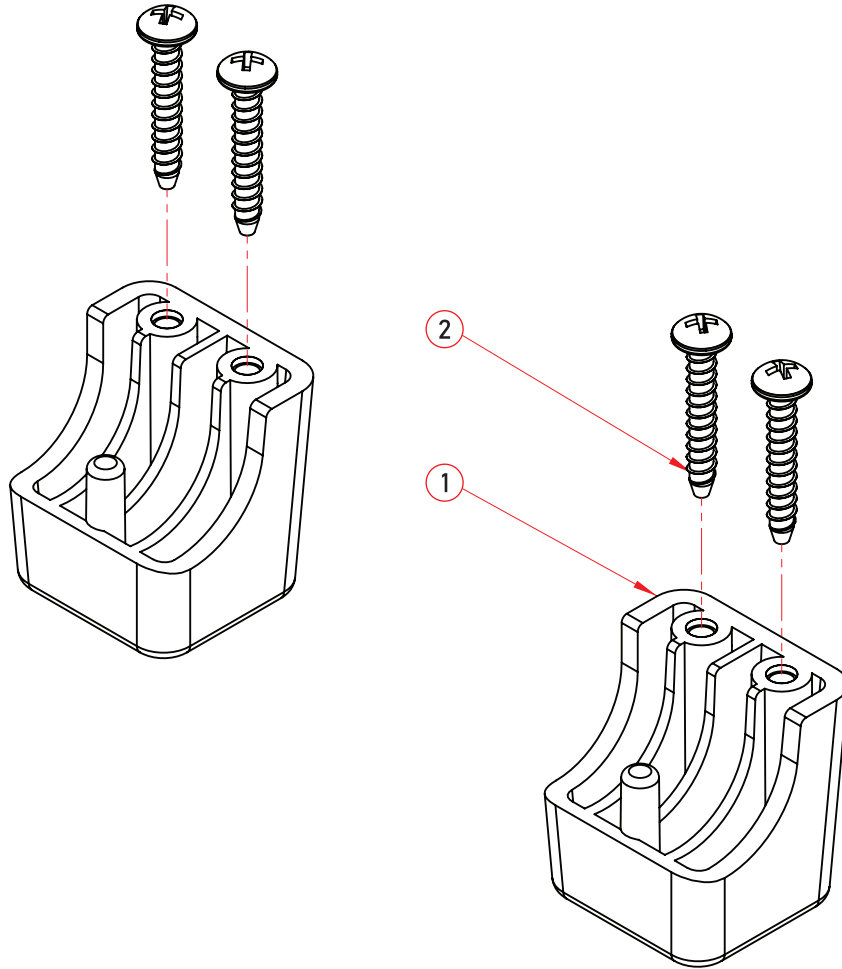
BILL OF MATERIALS

ITEM NO.	DESCRIPTION	QTY
1	Support Foot, Lower, Rear, Left, CTS	1
2	Nut, M8x1.25, 13mm, Hex, Black Zinc	1
3	Support Foot, Upper, Rear, Left, CTS	1
4	Retainer, Cord Wrap, CTS	1
5	Screw, M4x1.8, 20mm, Button Head, Phillips, Thread Cutting, Black Zinc	3
6	Foot, Leveling, M8x1.25, 43.5mm	1

Rear-Center Support Foot

Part Number: CTS-023

Description: Support Foot, Rear, Center, Replacement, CTS



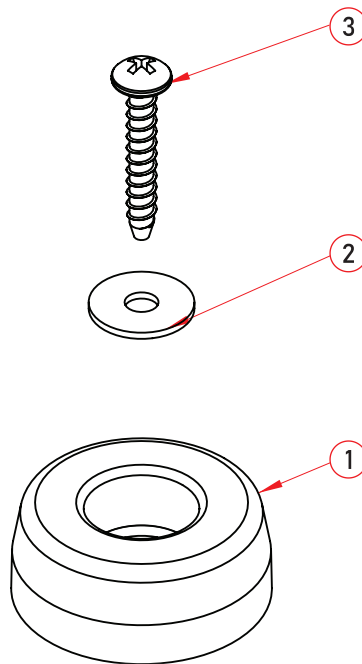
BILL OF MATERIALS

ITEM NO.	DESCRIPTION	QTY
1	Support Foot, Rear, Center, CTS	2
2	Screw, M4x1.8, 25mm, Button Head, Phillips, Thread Cutting, Black Zinc	4

Support Foot

Part Number: CTS-024

Description: Foot, Suport, Replacement, CTS

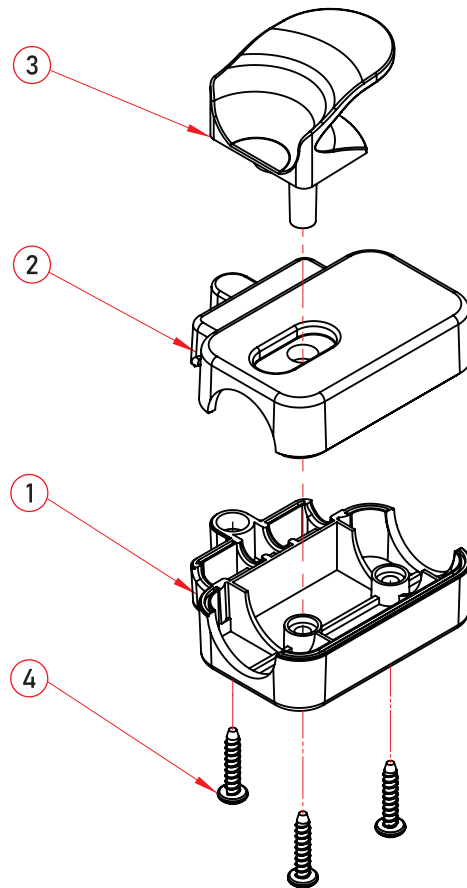


BILL OF MATERIALS		
ITEM NO.	DESCRIPTION	QTY
1	Foot, Support, CTS	1
2	Washer, M4, Flat, 14mm ODx1mm THK, Black Zinc	1
3	Screw, M4x1.8, 25mm, Button Head, Phillips, Thread Cutting, Black Zinc	1

Cord Retainer Clamp

Part Number: CTS-025

Description: Clamp, Cord Retainer, Replacement, CTS



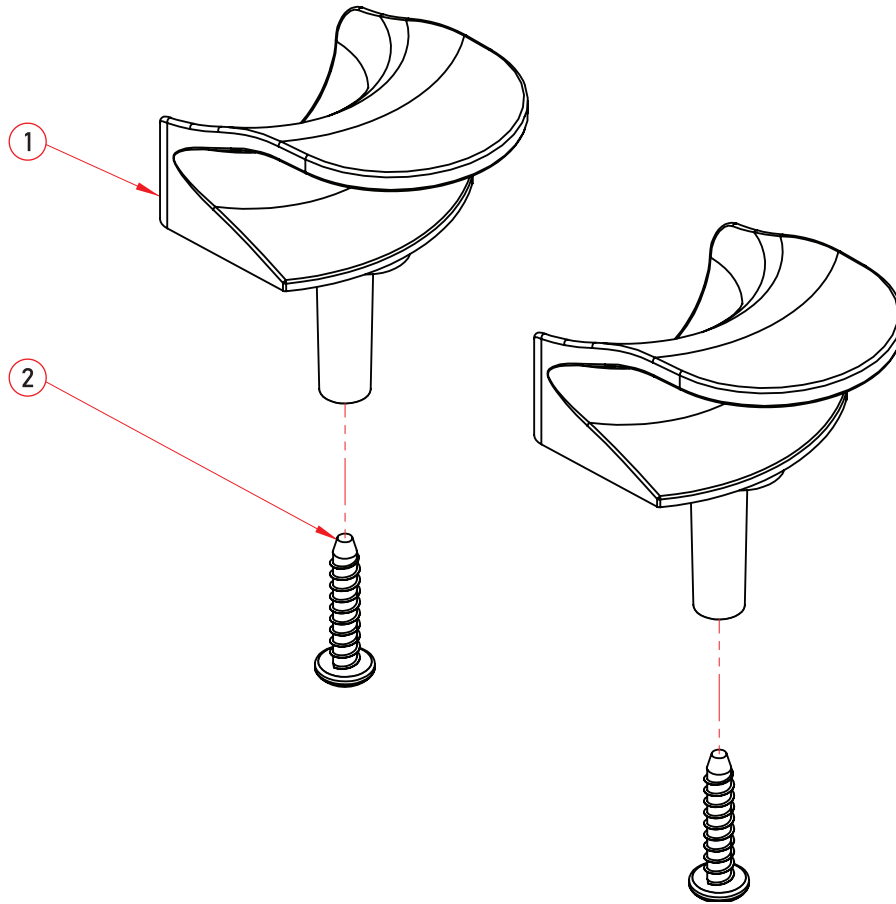
BILL OF MATERIALS

ITEM NO.	DESCRIPTION	QTY
1	Clamp, Cord, Lower, CTS	1
2	Clamp, Cord, Upper, CTS	1
3	Retainer, Cord Wrap, CTS	1
4	Screw, M4x1.8, 20mm, Button Head, Phillips, Thread Cutting, Black Zinc	3

Cord Wrap Retainer

Part Number: CTS-026

Description: Retainer, Cord Wrap, Replacement, CTS



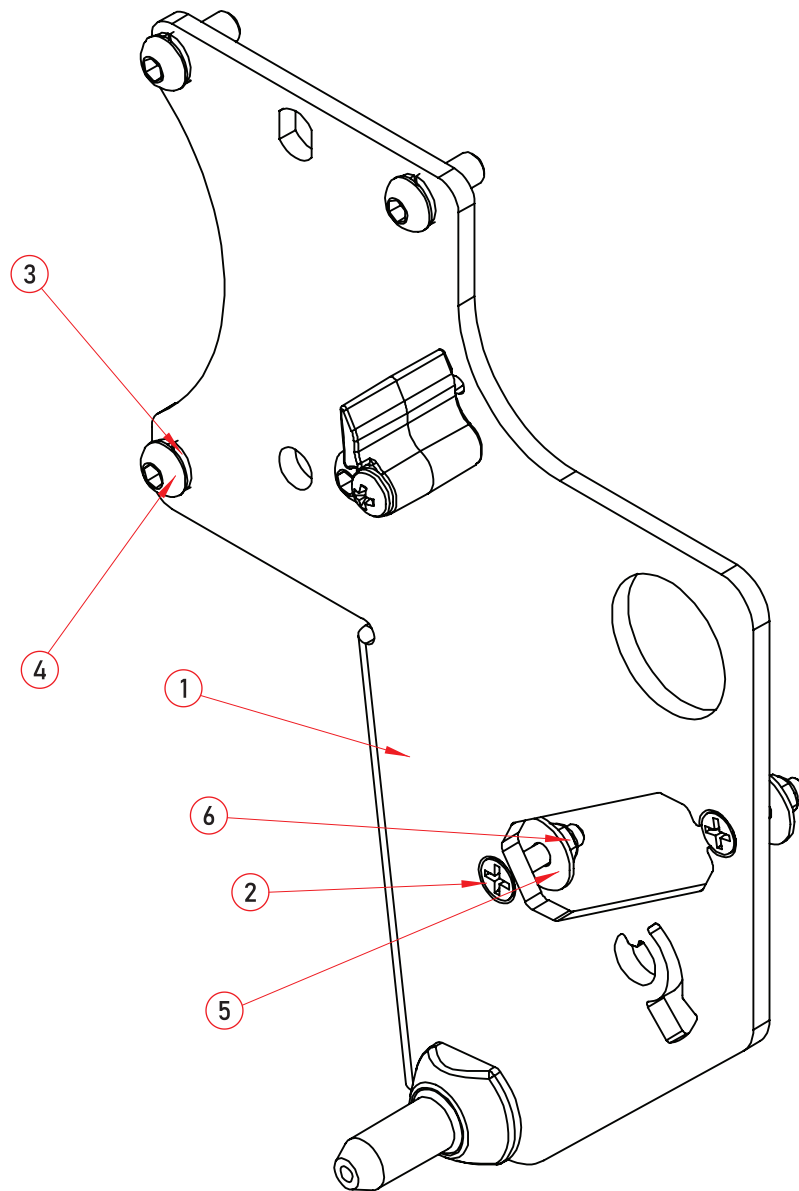
BILL OF MATERIALS

ITEM NO.	DESCRIPTION	QTY
1	Retainer, Cord Wrap, CTS	2
2	Screw, M4x1.8, 20mm, Button Head, Phillips, Thread Cutting, Black Zinc	2

Brake Cartridge Bracket

Part Number: CTS-027

Description: Bracket, Brake Cartridge, Replacement, CTS



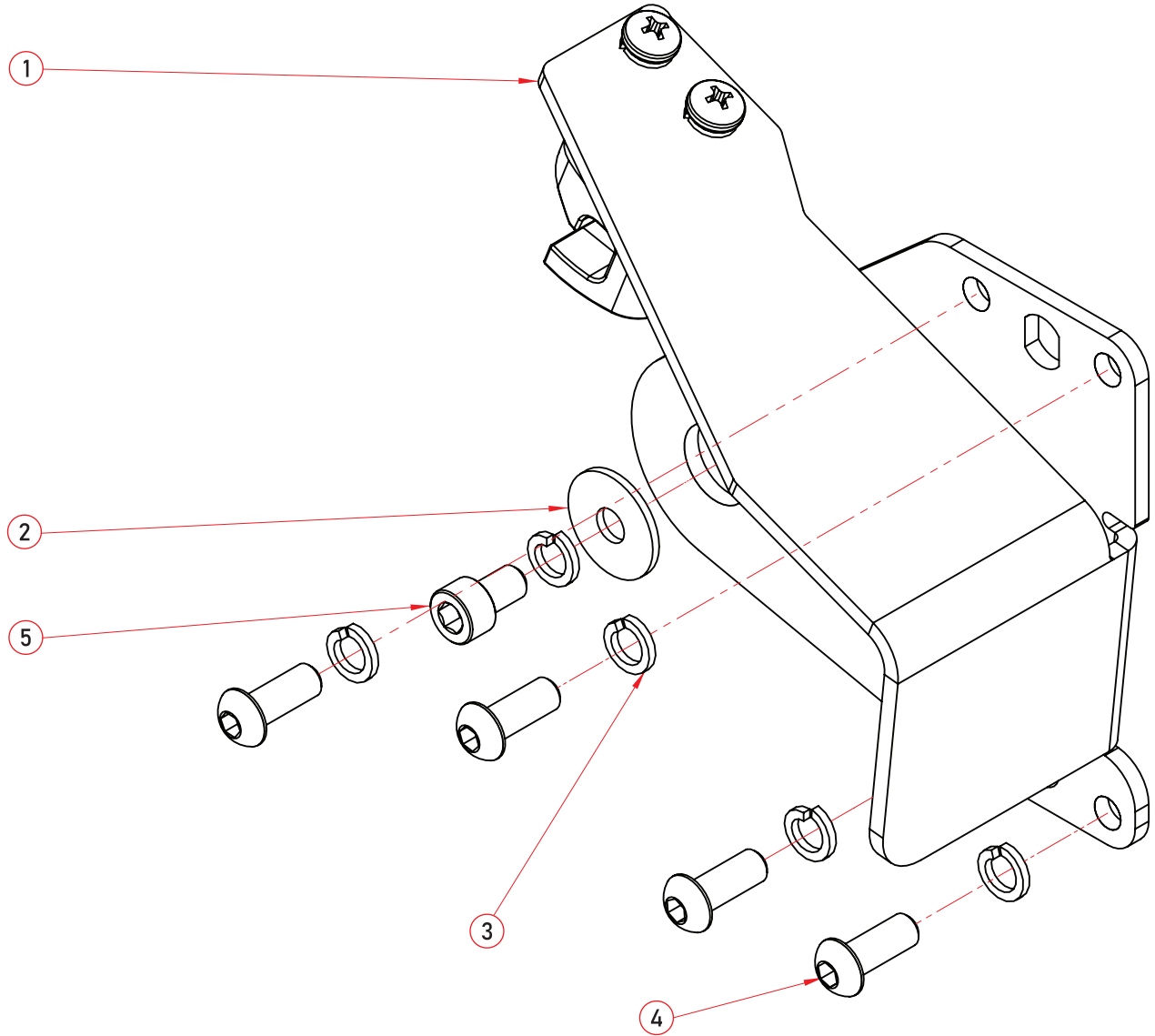
BILL OF MATERIALS

ITEM NO.	DESCRIPTION	QTY
1	Brake Cartridge Bracket Assembly, CTS	1
2	Bolt, M4x0.7, 20mm, Flat Head, Phillips, Black Zinc	2
3	Washer, M6, Lock, Black Zinc	4
4	Bolt, M6x1.5, 16mm, Button Head, Socket, Black Zinc	4
5	Washer, M4, Flat, 14mm ODx1mm THK, Black Zinc	2
6	Nut, M4x0.7, Nylon Insert, Black Zinc	2

Retraction Bracket

Part Number: CTS-029

Description: Bracket, Retraction, Replacement, CTS



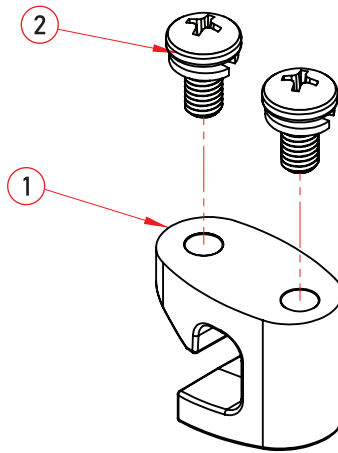
BILL OF MATERIALS

ITEM NO.	DESCRIPTION	QTY
1	Bracket, Retraction, CTS	1
2	Washer, M6, Flat, 20mm ODx1.5mm THK, Black Zinc	1
3	Washer, M6, Lock, Black Zinc	5
4	Bolt, M6x1.0, 16mm, Button Head, Socket, Black Zinc	4
5	Bolt, M6x1.0, 10mm, Socket Head Cap, Black Zinc	1

Retraction Block

Part Number: CTS-030

Description: Block, Retraction, Replacement, CTS



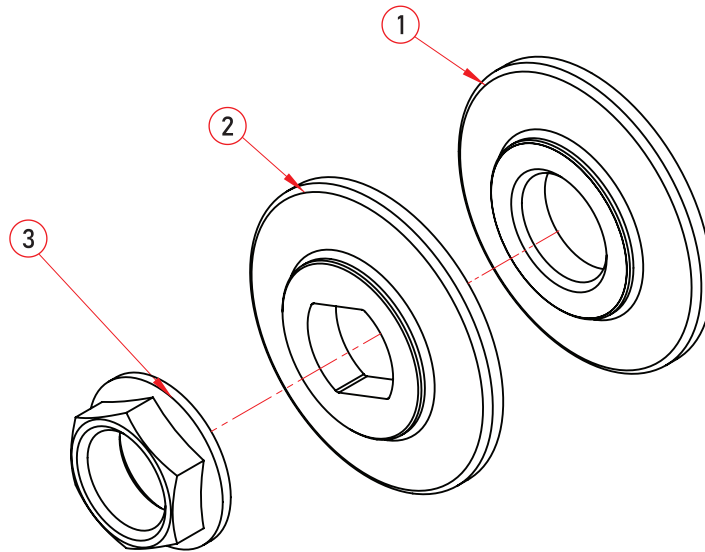
BILL OF MATERIALS

ITEM NO.	DESCRIPTION	QTY
1	Block, Retraction, CTS	1
2	Bolt, M5x0.8, 10mm, Lock Washer, Pan Head, Phillips, Black Zinc	2

Arbor Nut Hardware Bag

Part Number: CTS-031

Description: Hardware Bag, Arbor Nut, Replacement, CTS



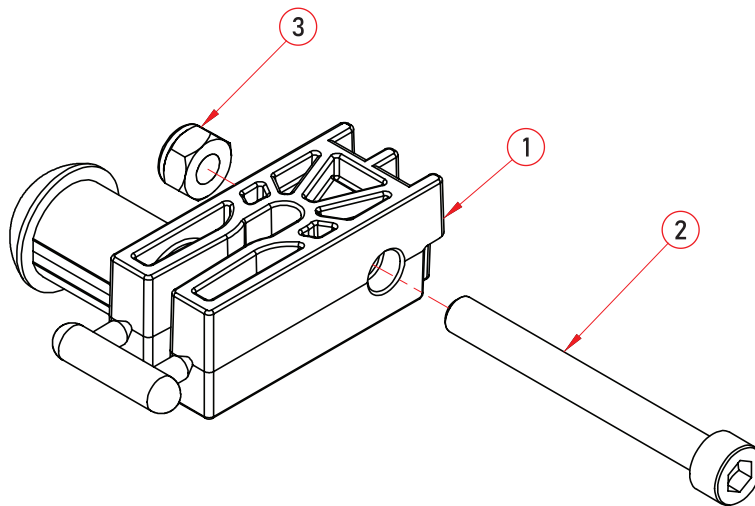
BILL OF MATERIALS

ITEM NO.	DESCRIPTION	QTY
1	Washer, Arbor, Inner, CTS	1
2	Washer, Arbor, Outer, CTS	1
3	Nut, Arbor, CTS	1

Alignment Block

Part Number: CTS-032

Description: Alignment Block, Replacement, CTS



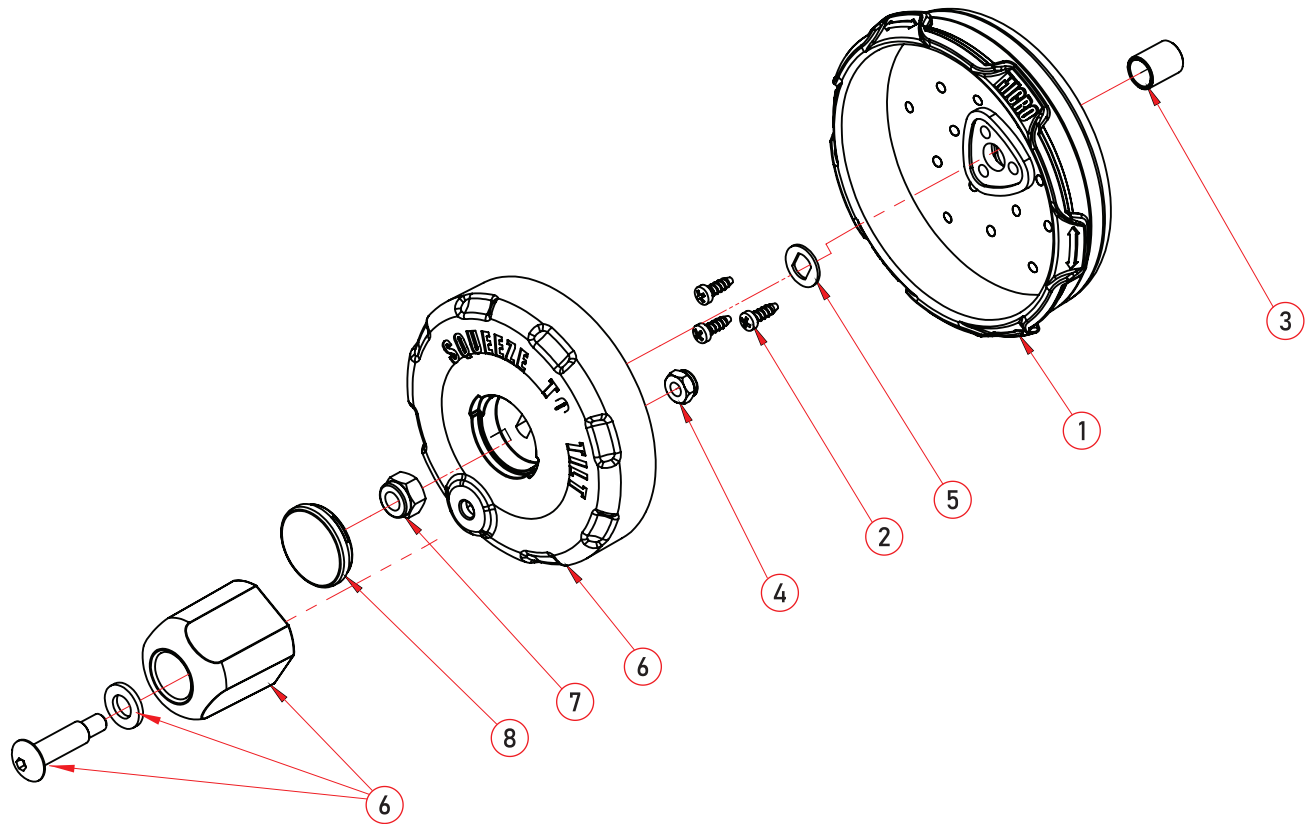
BILL OF MATERIALS

ITEM NO.	DESCRIPTION	QTY
1	Alignment Block Assembly, Friction Plug, CTS	1
2	Bolt, M6x1.0, 55mm, Socket Head Cap, Black Zinc	1
3	Nut, M6x1.0, Nylon Insert, Black Zinc	1

Elevation Bevel Handwheel

Part Number: CTS-033

Description: Handwheel, Elevation, Bevel, Replacement, CTS



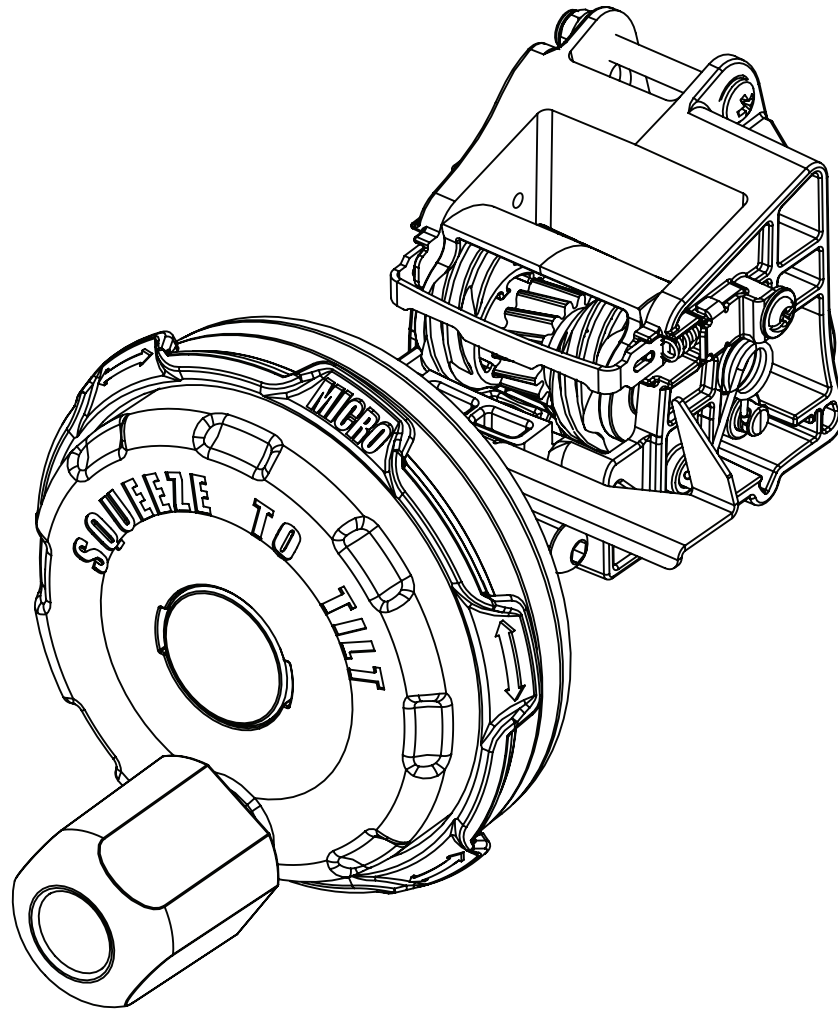
BILL OF MATERIALS

ITEM NO.	DESCRIPTION	QTY
1	Handle, Bevel, Handwheel, CTS	1
2	Screw, M4x1.8, 12mm, Filister Head, Phillips, Thread Cutting, Black Zinc	3
3	Bushing, Bevel Release, Shaft, CTS	1
4	Nut, M6x1.0, Nylon Insert, Silver Zinc	1
5	Washer, Elevation Handle, CTS	1
6	Handwheel Assembly, Elevation, CTS	1
7	Nut, M8x1.25, Nylon Insert, Silver Zinc	1
8	Cap, Handwheel, CTS	1

Bevel Assembly

Part Number: CTS-034

Description: Bevel Assembly, Replacement, CTS



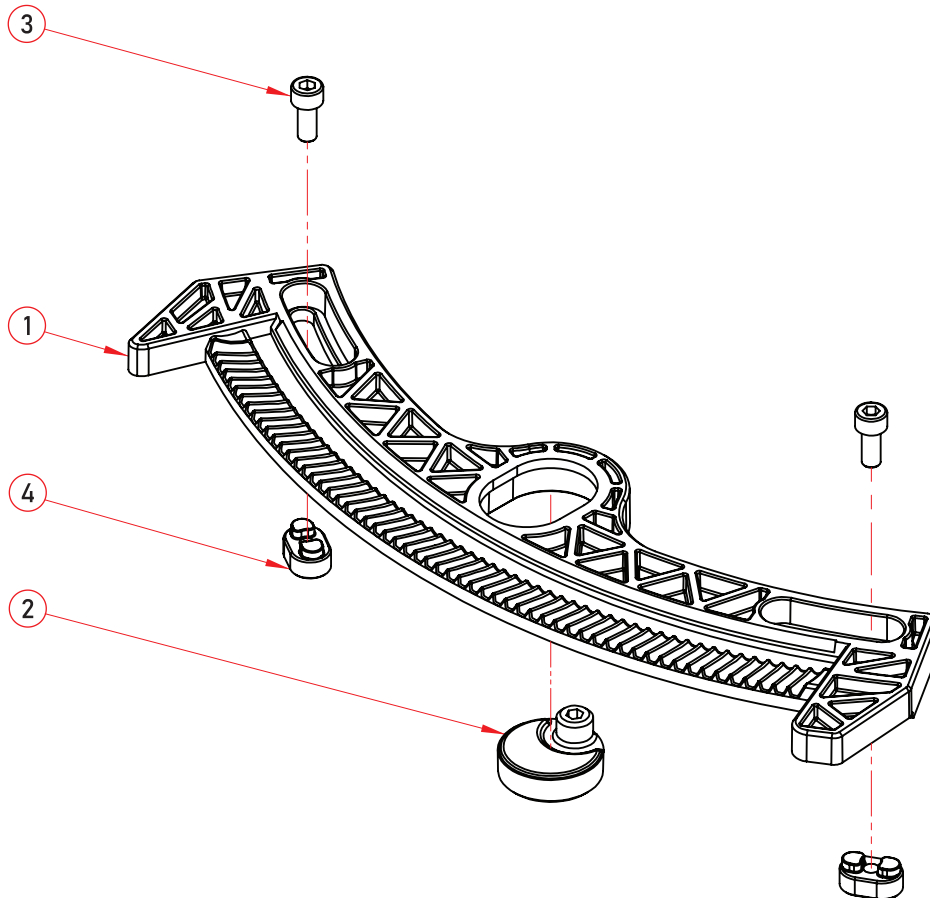
BILL OF MATERIALS

ITEM NO.	DESCRIPTION	QTY
1	Handle, Bevel, Handwheel, CTS	1
2	Screw, M4x1.8, 12mm, Filister Head, Phillips, Thread Cutting, Black Zinc	3
3	Bushing, Bevel Release, Shaft, CTS	1
4	Indicator, Tilt, CTS	1
5	Screw, M4x1.8, 12mm, Truss Head, Phillips, Thread Cutting, Silver Zinc	3
6	Handwheel Assembly, Elevation, CTS	1
7	Nut, M5x0.8, Nylon Insert, Black Zinc	3
8	Cap, Handwheel, CTS	1
9	Nut, M8x1.25, Nylon Insert, Silver Zinc	1
10	Washer, Elevation Handle, CTS	1

Bevel Rack

Part Number: CTS-035

Description: Rack, Bevel, Replacement, CTS



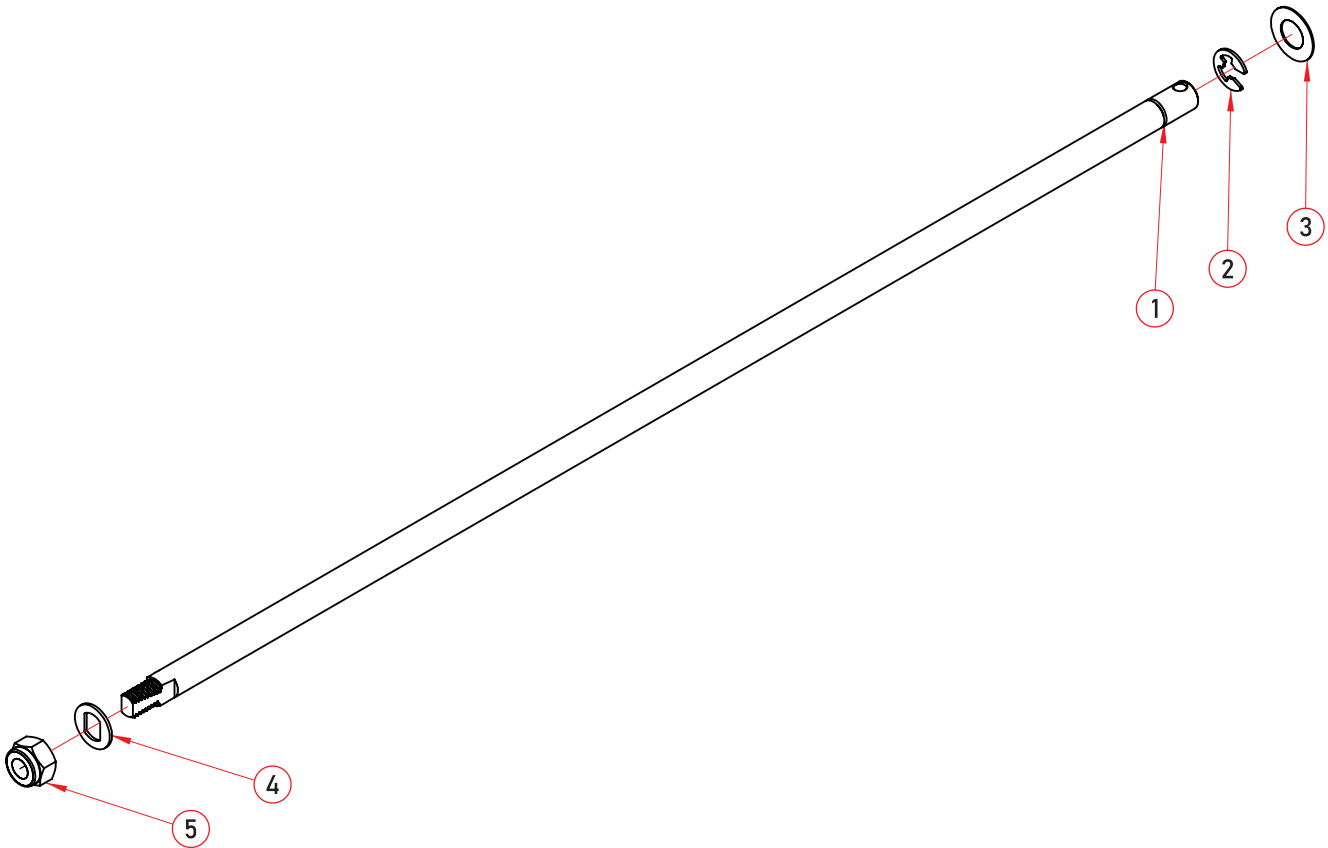
BILL OF MATERIALS

ITEM NO.	DESCRIPTION	QTY
1	Rack, Bevel, CTS	1
2	Cam, Bevel Rack, CTS	1
3	Bolt, M5x0.8, 12mm, Socket Head Cap, Black Zinc	2
4	Nut, Bevel Rack, CTS	2

Elevation Control Shaft

Part Number: CTS-036

Description: Shaft, Elevation Control, Replacement, CTS



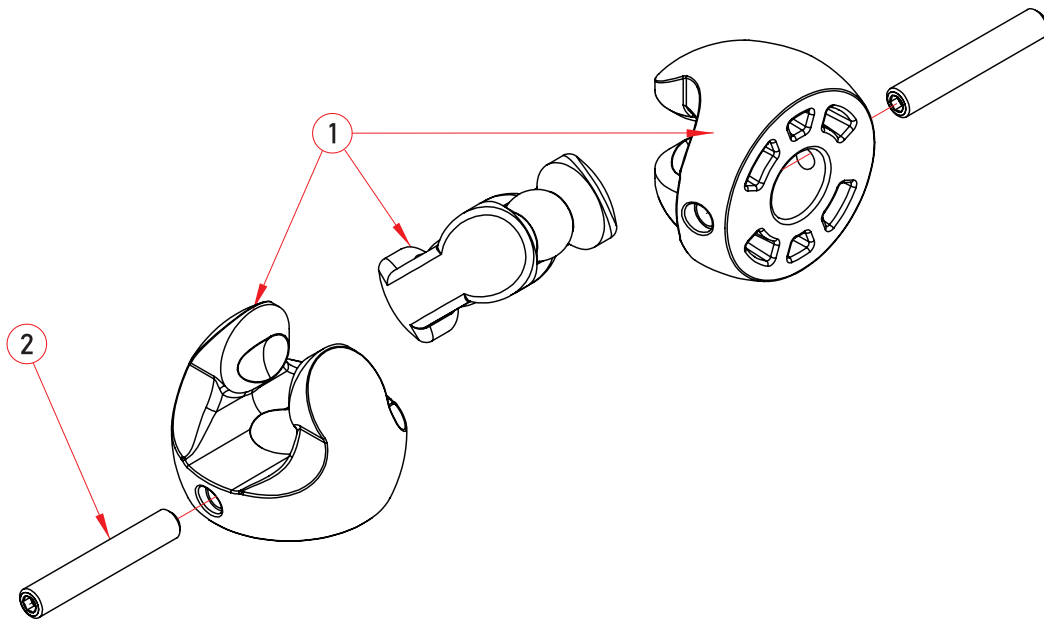
BILL OF MATERIALS

ITEM NO.	DESCRIPTION	QTY
1	Shaft, Elevation Control, CTS	1
2	Retaining Ring, E-Style, 7mm, Black Zinc	1
3	Washer, M9, Flat, 18mm ODx0.5mm THK, Black Zinc	1
4	Washer, Elevation Handle, CTS	1
5	Nut, M8x1.25, Nylon Insert, Silver Zinc	1

U-Joint

Part Number: CTS-037

Description: U-Joint, Replacement, CTS



BILL OF MATERIALS

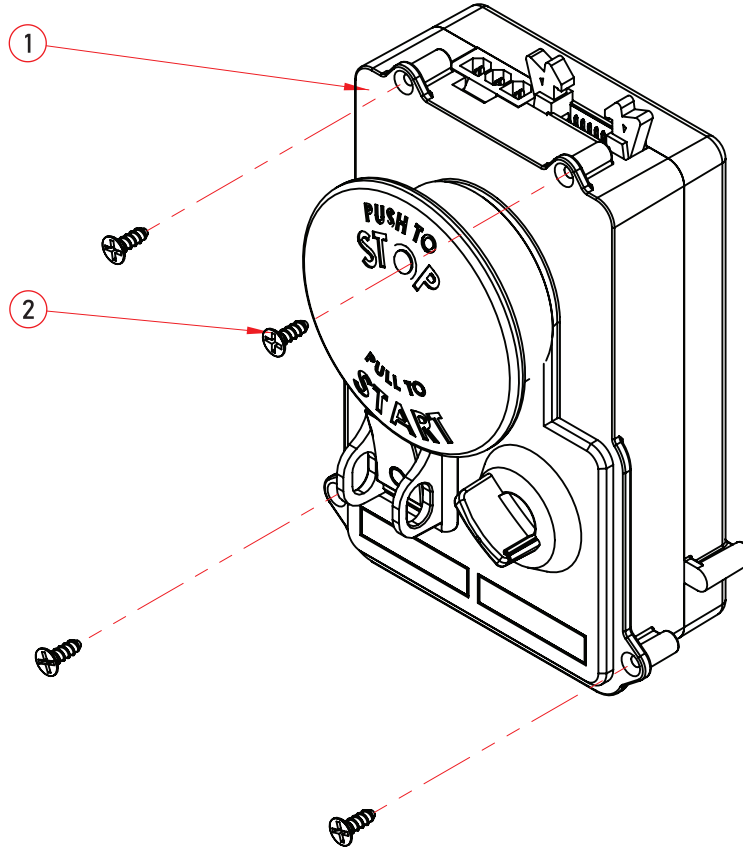
ITEM NO.	DESCRIPTION	QTY
1	U-Joint Assembly, Elevation Control, CTS	1
2	Set Screw, M4x0.7, 25mm, Socket Head, Black Zinc	2

Switch Box Assembly

US Version

Part Number: CTS-071

Description: Switch Box, Assembly, 120VAC, Replacement, CTS



BILL OF MATERIALS

ITEM NO.	DESCRIPTION	QTY
1	Switch Box Assembly	1
2	Screw, M4x1.8, 12mm, Flat Head, Phillips, Thread Cutting, Silver Zinc	4

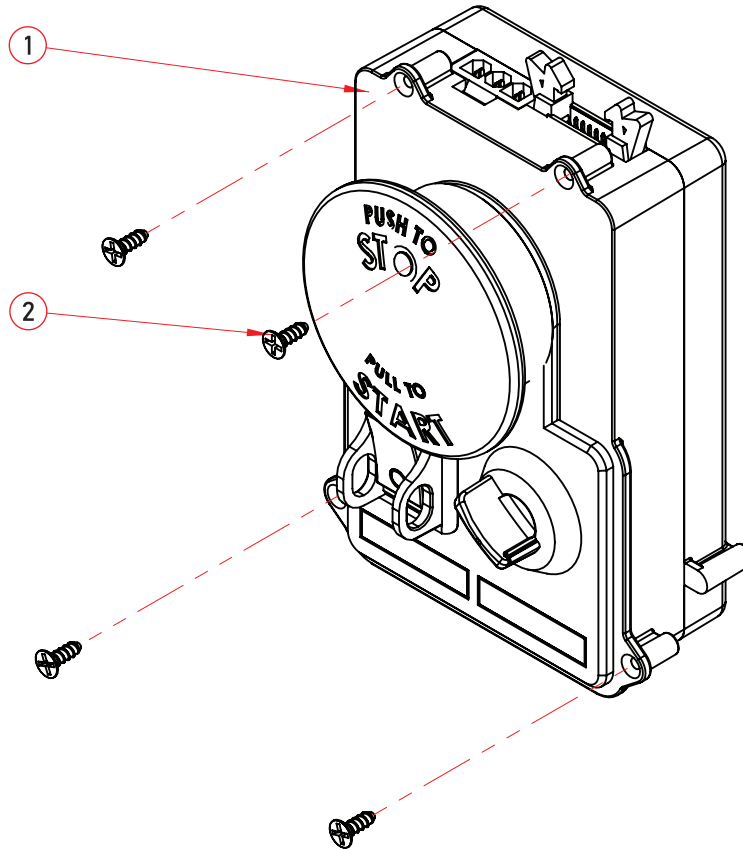


Switch Box Assembly

Australia Version

Part Number: CTS-038

Description: Switch Box, Assembly, 230VAC, Replacement, CTS



BILL OF MATERIALS

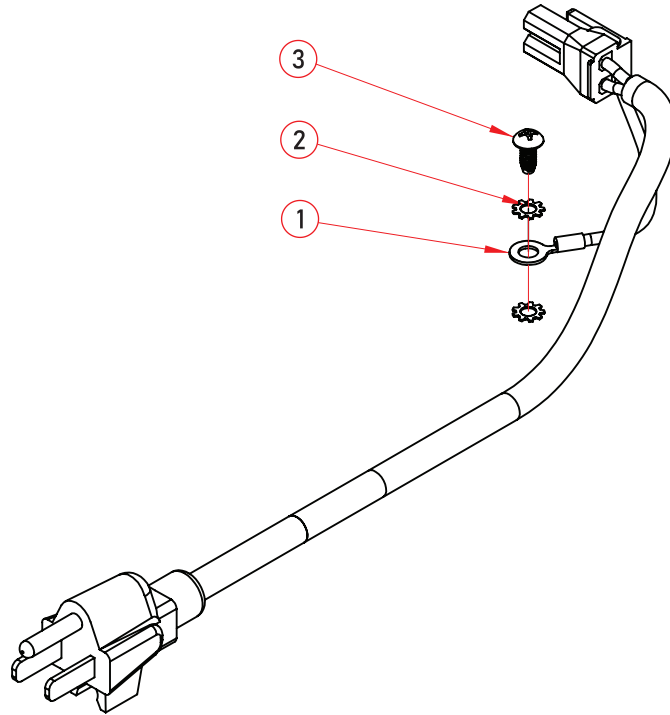
ITEM NO.	DESCRIPTION	QTY
1	Switch Box Assembly	1
2	Screw, M4x1.8, 12mm, Flat Head, Phillips, Thread Cutting, Silver Zinc	4

120VAC Power Cable

US Version

Part Number: CTS-039

Description: Cable, Power, 120VAC, Replacement, CTS



BILL OF MATERIALS

ITEM NO.	DESCRIPTION	QTY
1	Cable, Power, 120VAC, CTS	1
2	Washer, M4, External Tooth, Lock, Silver Zinc	2
3	Screw, 8-32, 3/8", Button Head, Phillips, Thread Cutting, Silver Zinc	1

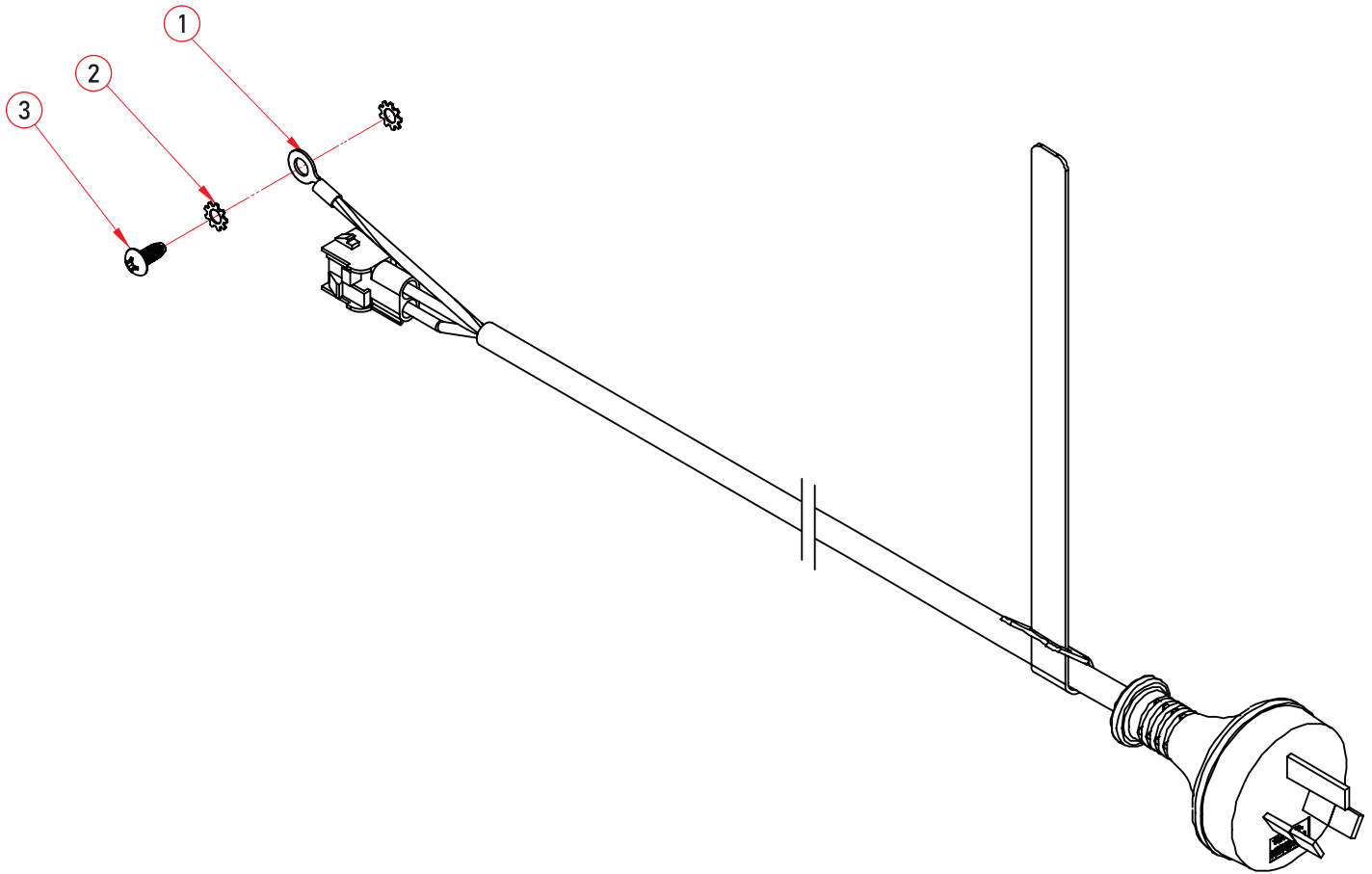


230VAC Power Cable

Australia Version

Part Number: CTS-040

Description: Cable, Power, 230VAC, Replacement, CTS



BILL OF MATERIALS

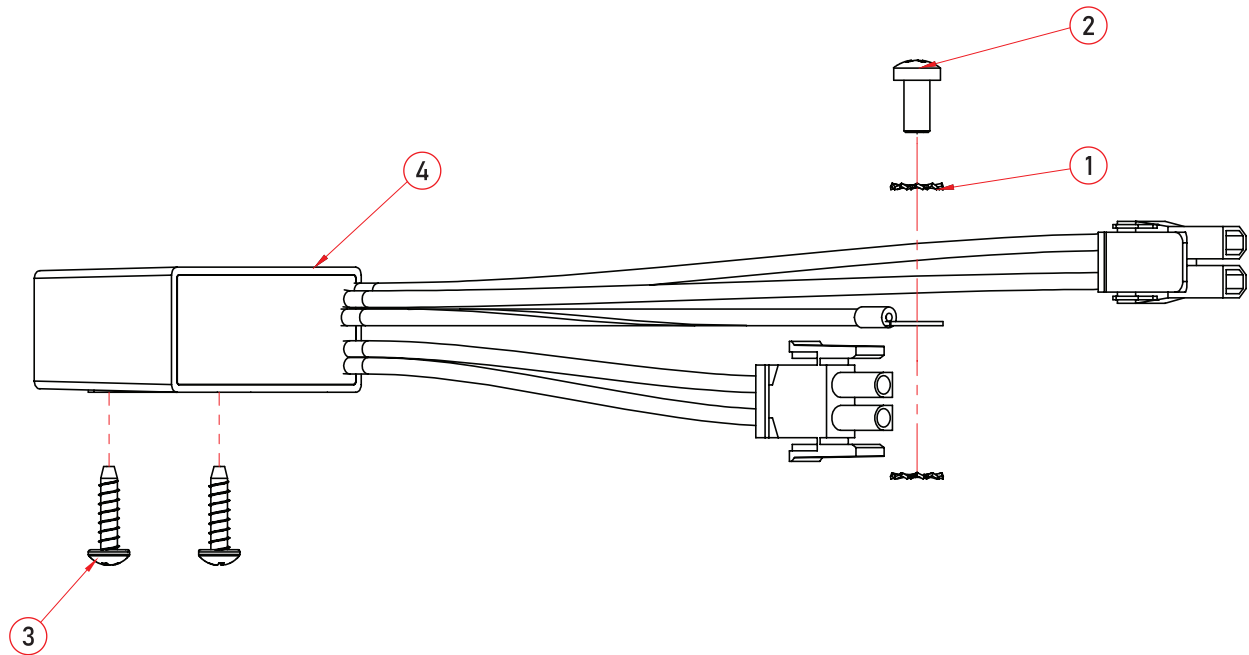
ITEM NO.	DESCRIPTION	QTY
1	Cable, Power, 240VAC, 2m, CTS-AU	1
2	Washer, M4, External Tooth, Lock, Silver Zinc	2
3	Screw, 8-32, 3/8", Button Head, Phillips, Thread Cutting, Silver Zinc	1

Cable Assembly and EMC Filter

Australia Version

Part Number: CTS-041

Description: Cable Assembly, EMC Filter, CTS-AU



BILL OF MATERIALS

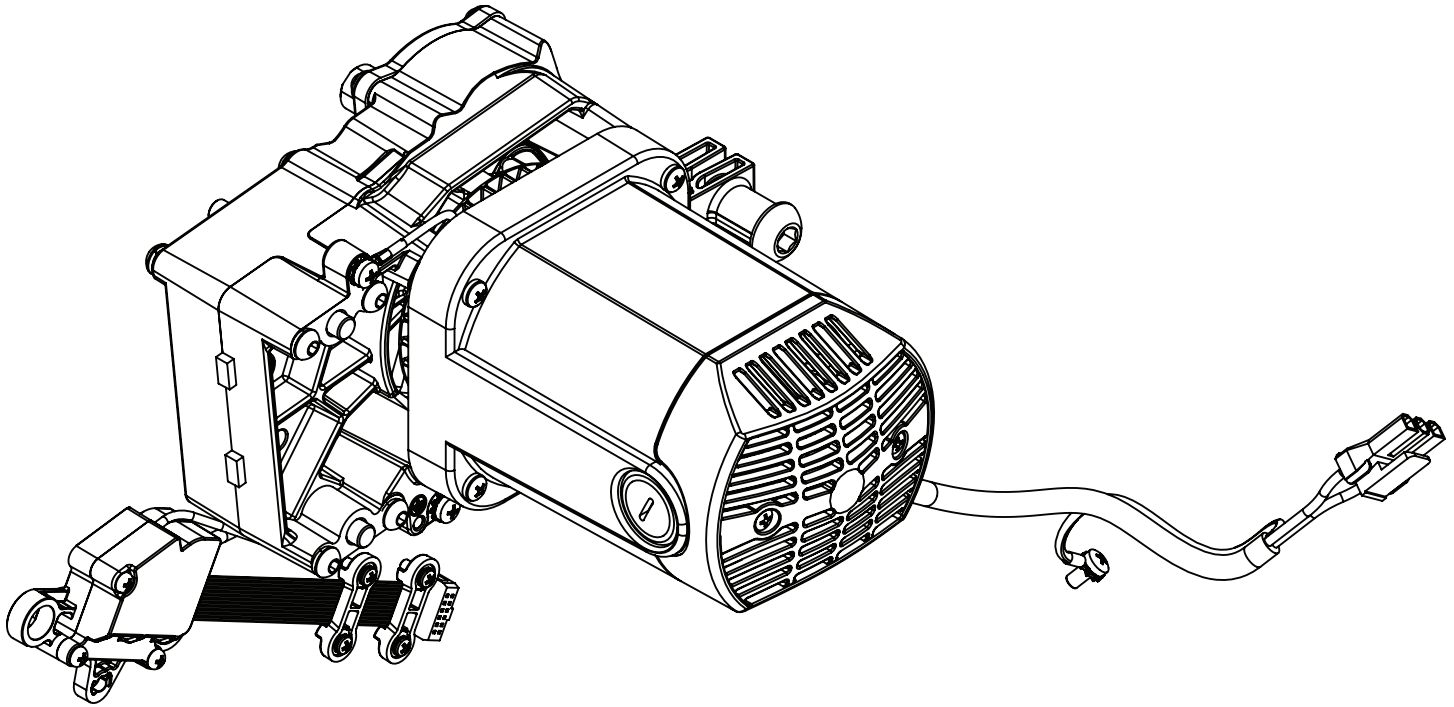
ITEM NO.	DESCRIPTION	QTY
1	Washer, M5, External Tooth, Lock, Silver Zinc	2
2	Screw, M5x0.8, 10mm, Pan Head, Phillips, Thread Cutting, Silver Zinc	1
3	Screw, M4x1.8, 16mm, Button Head, Phillips, Thread Cutting, Black Zinc	2
4	Cable Assembly, EMC Filter, CTS-AU	1

120V, 60Hz Motor

US Version

Part Number: CTS-042

Description: Motor, Universal, 120V, 60Hz, Replacement, CTS



BILL OF MATERIALS

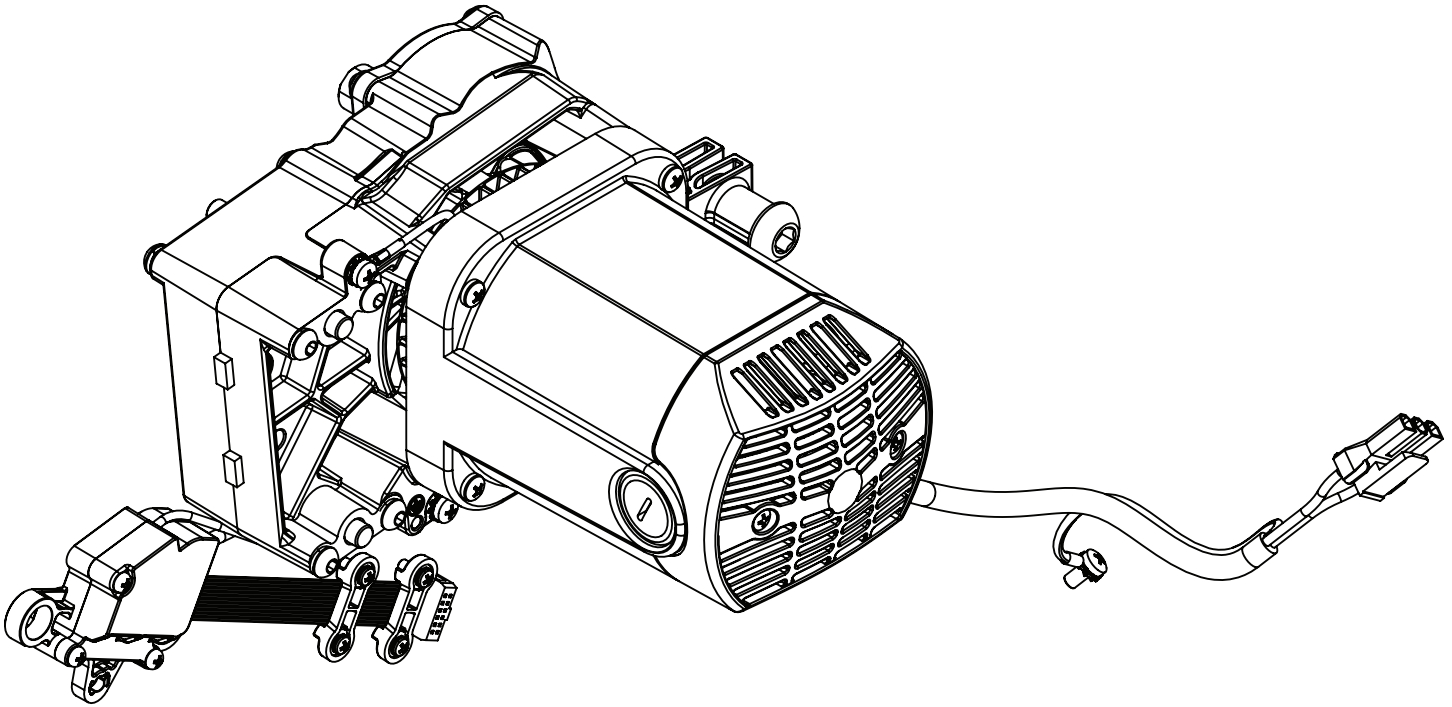
ITEM NO.	DESCRIPTION	QTY
1	Motor Assembly, CTS	1
2	Bolt, M5x0.8, 10mm, Pan Head, Phillips, Black Zinc	5
3	Clamp, Cable, Retaining, 4mm, Plastic	1
4	Clamp, Ribbon Cable, CTS	2
5	Bolt, M4x0.7, 10mm, Lock Washer, Button Head, Phillips, Black Zinc	4

230V, 50Hz Motor

Australia Version

Part Number: CTS-043

Description: Motor, Universal, 230V, 50Hz, Replacement, CTS



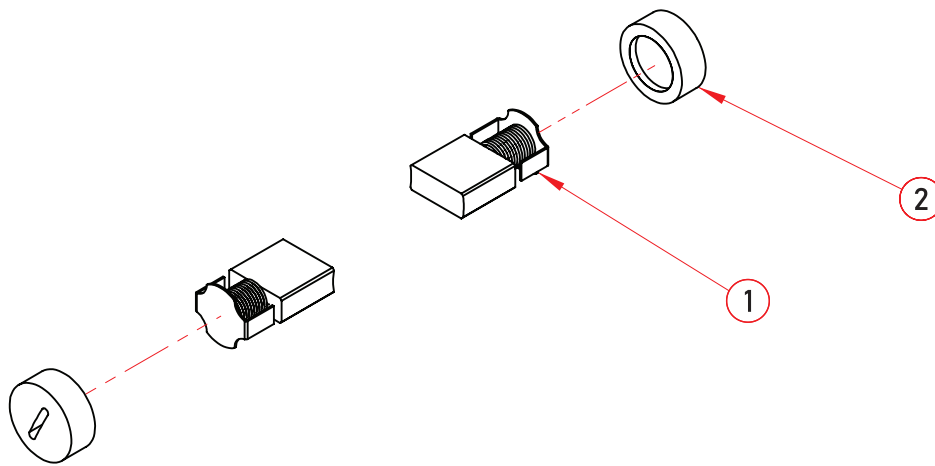
BILL OF MATERIALS

ITEM NO.	DESCRIPTION	QTY
1	Motor Assembly, CTS	1
2	Bolt, M5x0.8, 10mm, Pan Head, Phillips, Black Zinc	5
3	Clamp, Cable, Retaining, 4mm, Plastic	1
4	Clamp, Ribbon Cable, CTS	2
5	Bolt, M4x0.7, 10mm, Lock Washer, Button Head, Phillips, Black Zinc	4

Motor Brush

Part Number: CTS-045

Description: Brush, Motor, Replacement, CTS



BILL OF MATERIALS

ITEM NO.	DESCRIPTION	QTY
1	Brush, Motor, CTS	2
2	Cap, Motor Brush, CTS	2

Standard Table Saw Insert

Part Number: CTS-TSI

Description: Insert Assembly, Table Saw, Standard, Ribbed, CTS-TSI

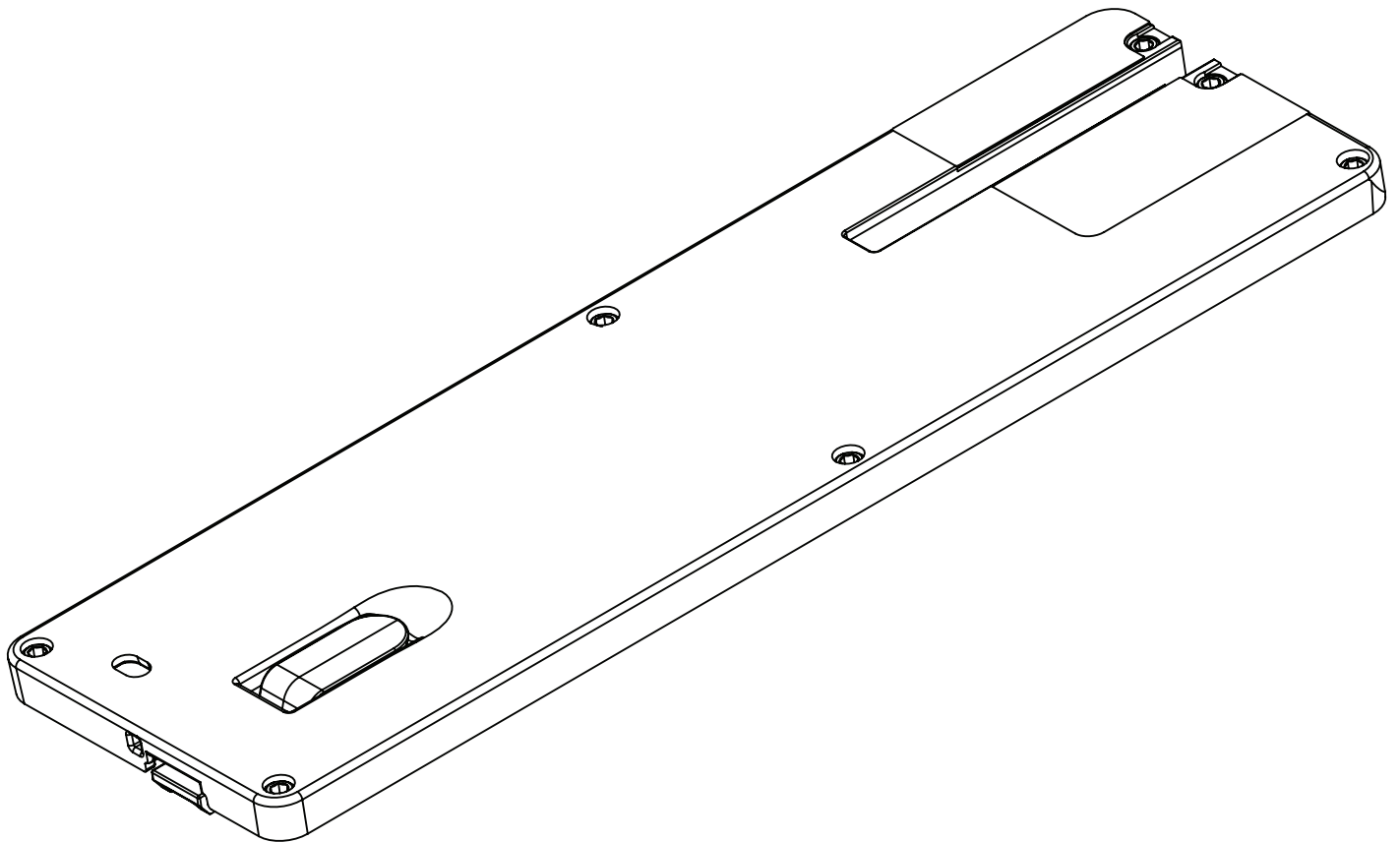
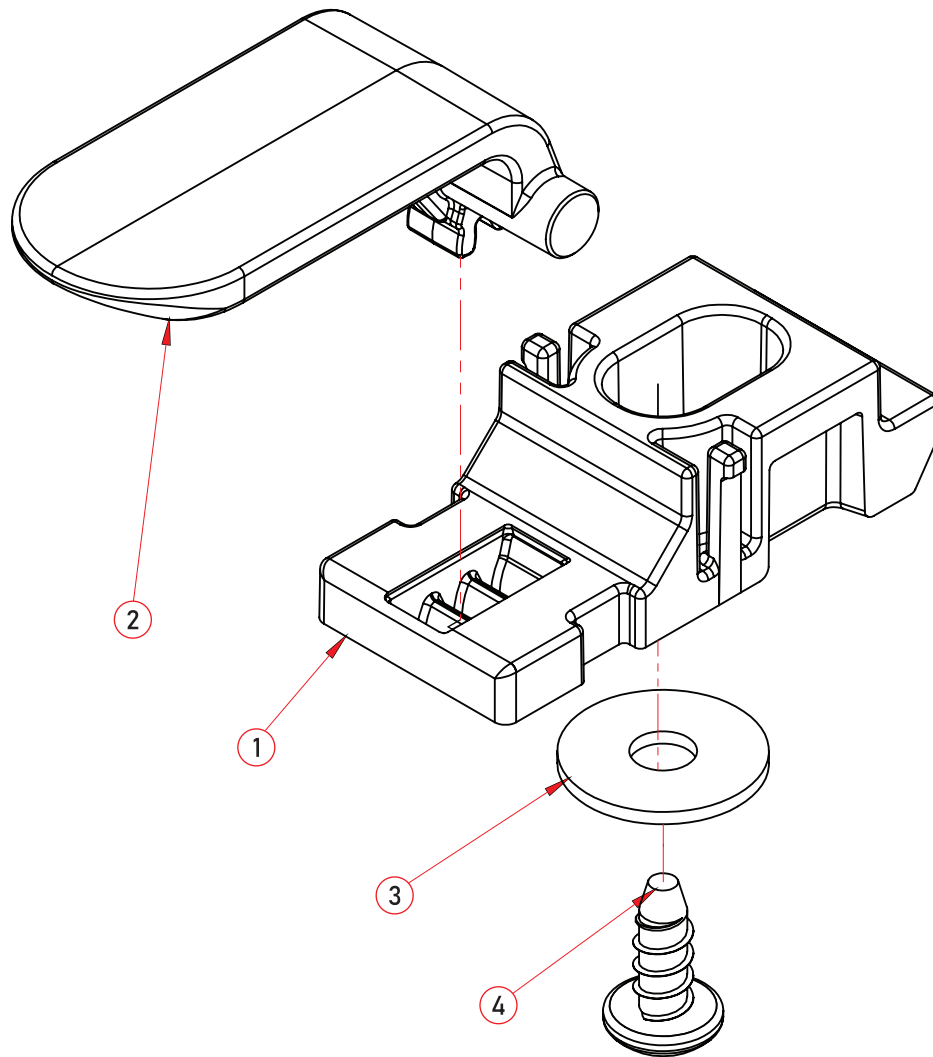


Table Insert Latch Assembly

Part Number: CTS-009

Description: Latch Assembly, Table Insert, CTS



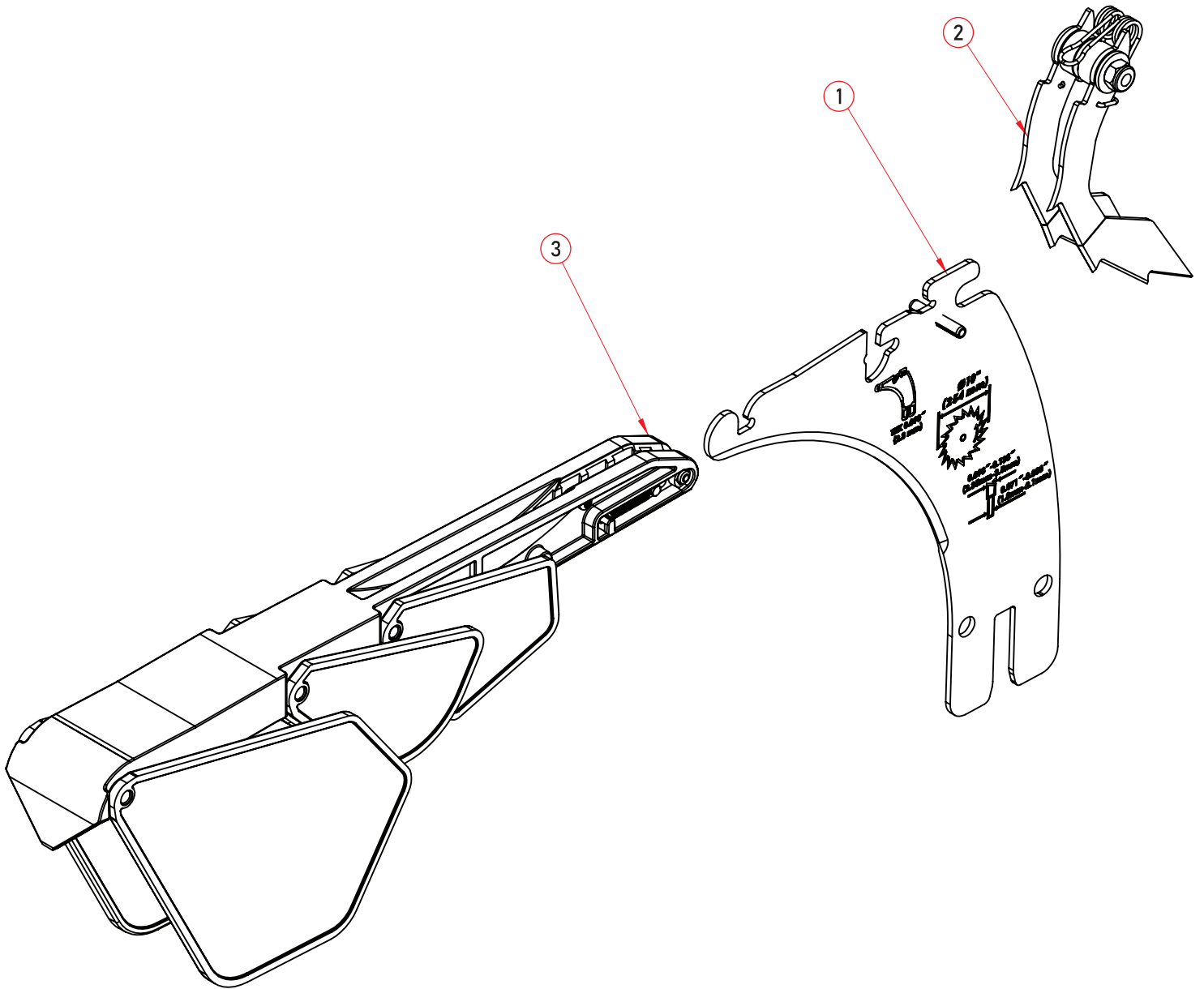
BILL OF MATERIALS

ITEM NO.	DESCRIPTION	QTY
1	Latch, Table Insert, TSI-CTS	1
2	Lever, Table Insert, TSI-CTS	1
3	Washer, M4, Flat, 14mm ODx1mm THK	1
4	Screw, M4x1.8, 10mm, Button Head, Phillips, Thread Cutting, Black Zinc	1

Micro-Guard Blade Guard Assembly

Part Number: CTS-MG

Description: Blade Guard Assembly, Micro-Guard, CTS-MG



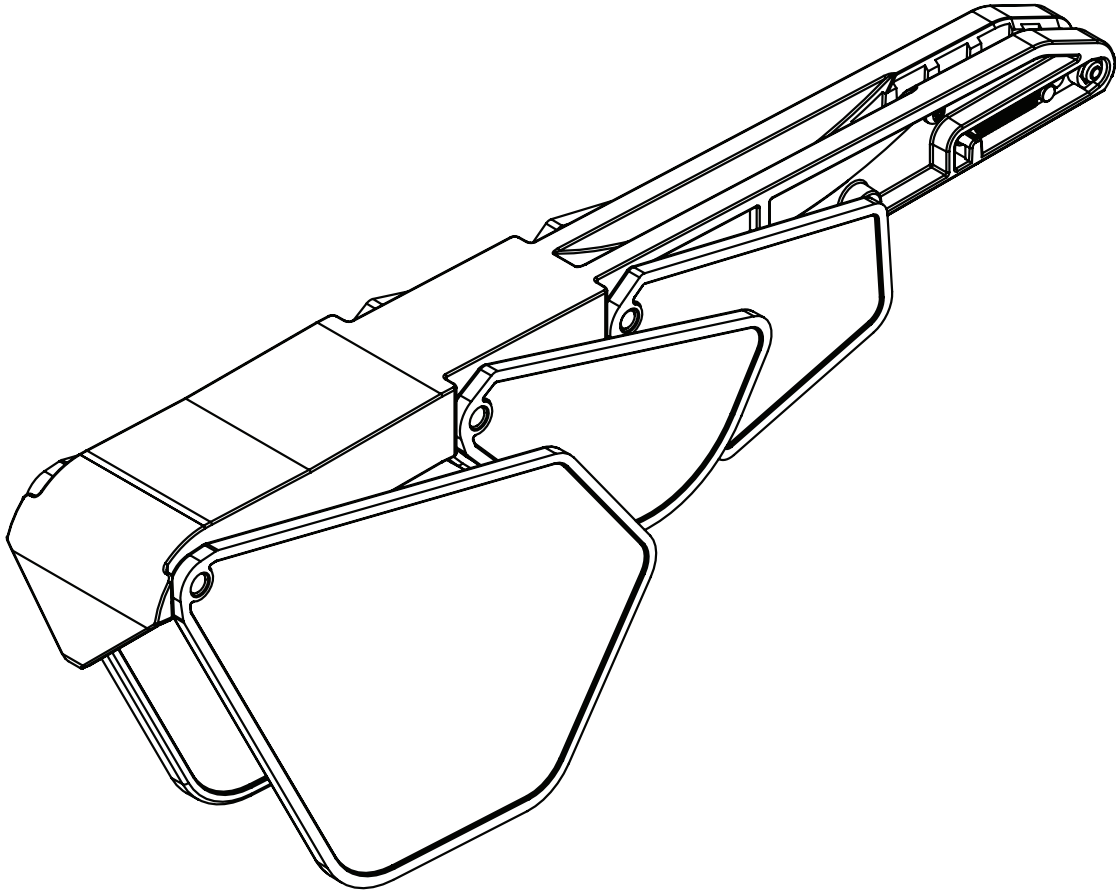
BILL OF MATERIALS

ITEM NO.	DESCRIPTION	QTY
1	Spreader, Spring Pin, TSGMG, CTS	1
2	Anti-Kickback Pawl, Assembly, JSS-RDC	1
3	Blade Guard, Top Assembly, Micro-Guard, CTS	1

Micro-Guard Blade Guard Top Assembly

Part Number: CTS-047

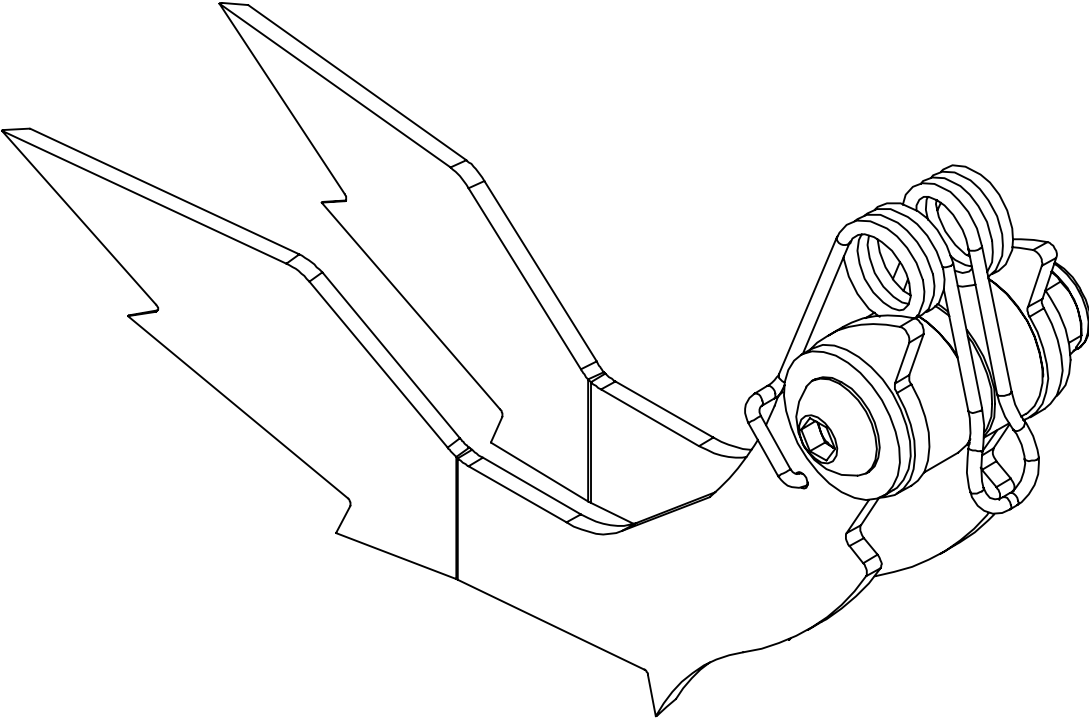
Description: Blade Guard, Top Assembly, Micro-Guard, Replacement, CTS



Anti-Kickback Pawl Assembly

Part Number: CTS-048

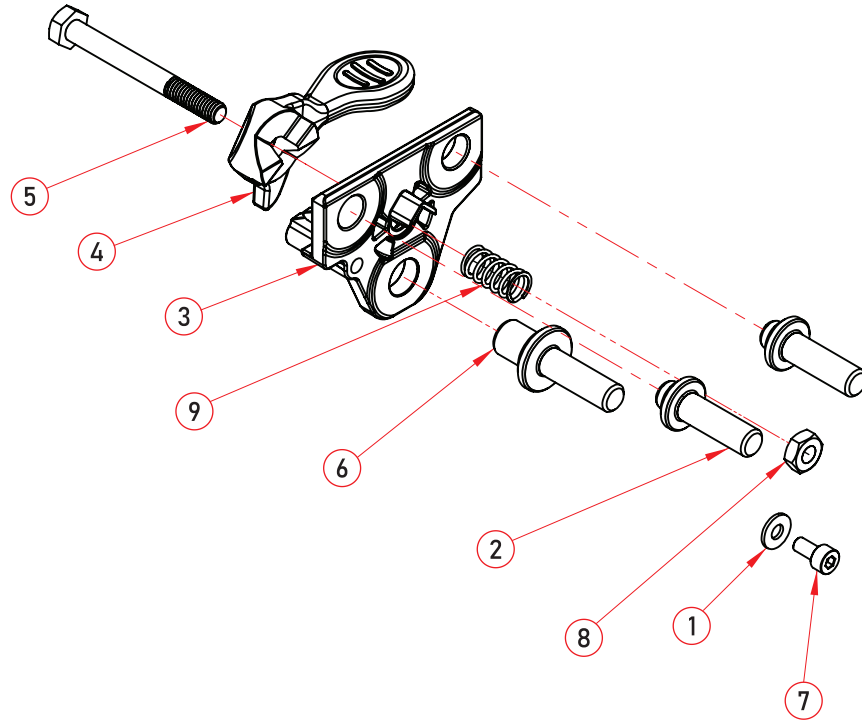
Description: Anti-Kickback Pawl, Assembly, JSS-RDC



Riving Knife Clamp Assembly

Part Number: CTS-049

Description: Riving Knife Clamp Assembly, CTS



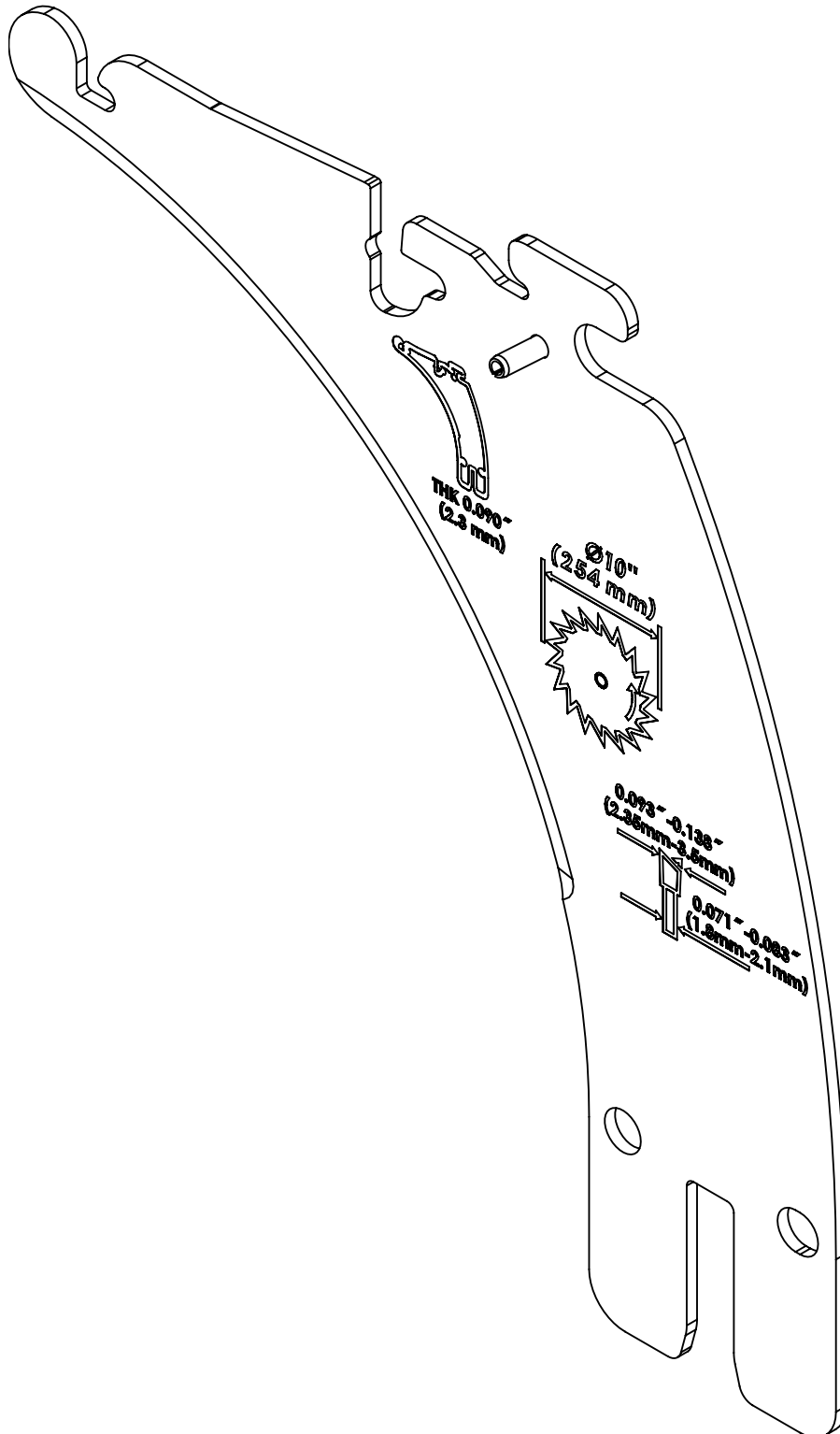
BILL OF MATERIALS

ITEM NO.	DESCRIPTION	QTY
1	Washer, M4, Flat, 10mm ODx1mm THK, Black Zinc	1
2	Pin, Spreader Mounting, Upper, CTS	2
3	Plate, Spreader Clamp, CTS	1
4	Handle, Spreader Clamp, CTS	1
5	Bolt, M6x1.0, 55mm, Partially Threaded, Hex Head, Black Zinc	1
6	Pin, Spreader Mounting, Lower, CTS	1
7	Bolt, M4x0.7, 8mm, Socket Head Cap, Black Zinc	1
8	Nut, M6x1.0, Black Zinc	1
9	Spring, Spreader Clamping, Compression, JSS	1

Spreader

Part Number: CTS-050

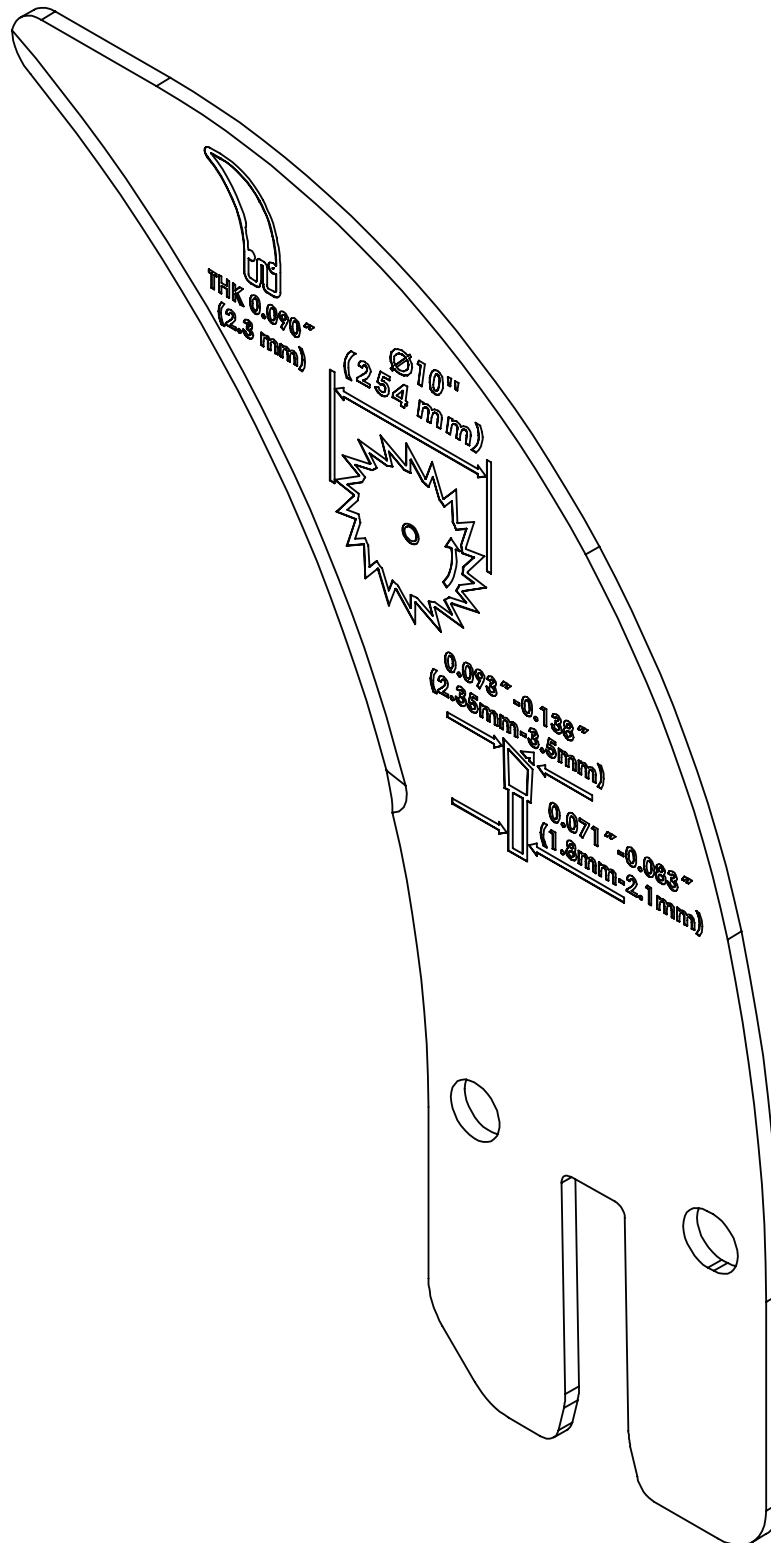
Description: Spreader, CTSMG



Riving Knife

Part Number: CTS-051

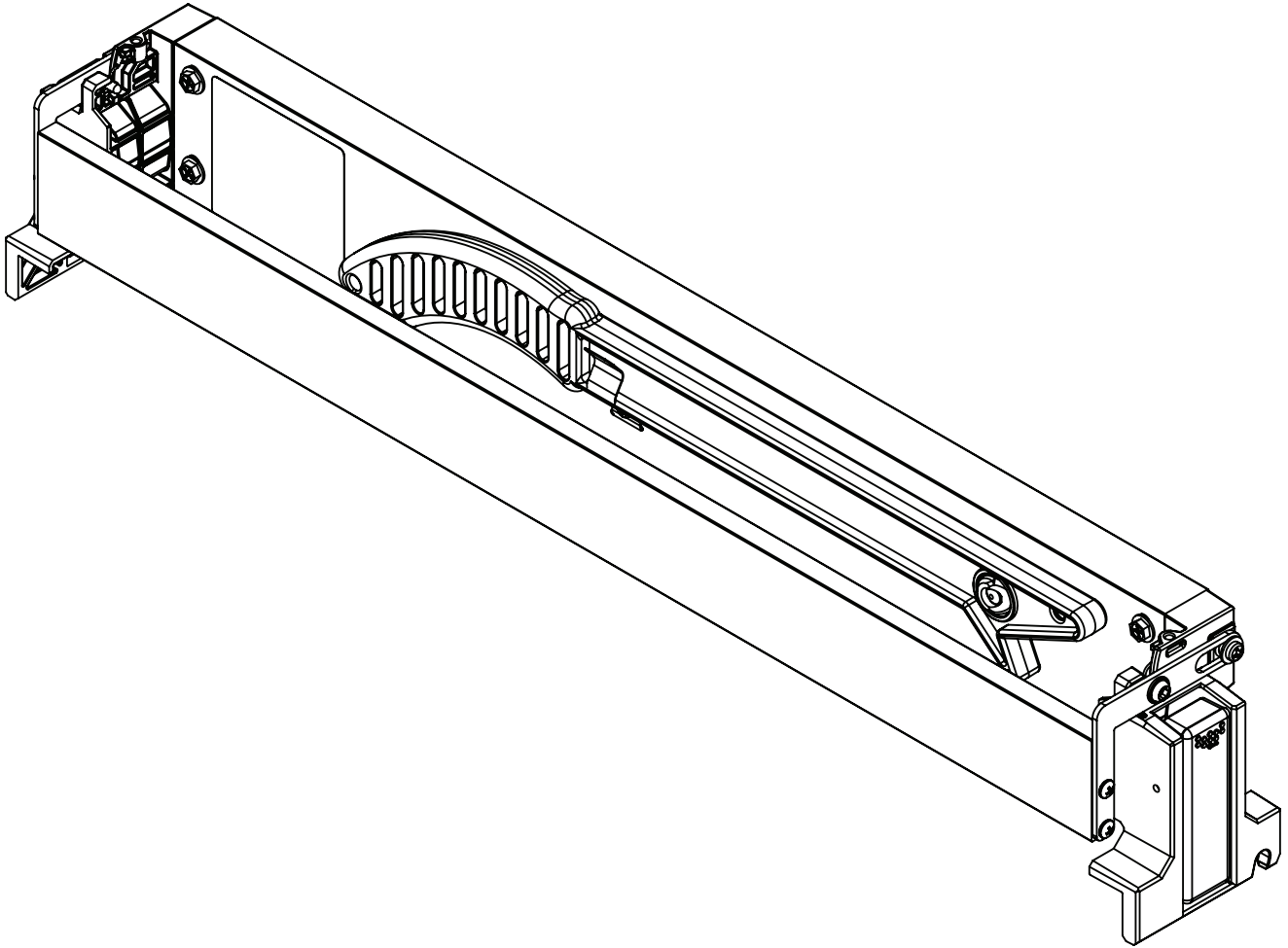
Description: Knife, Riving, CTS



Fence Assembly

Part Number: CTS-052

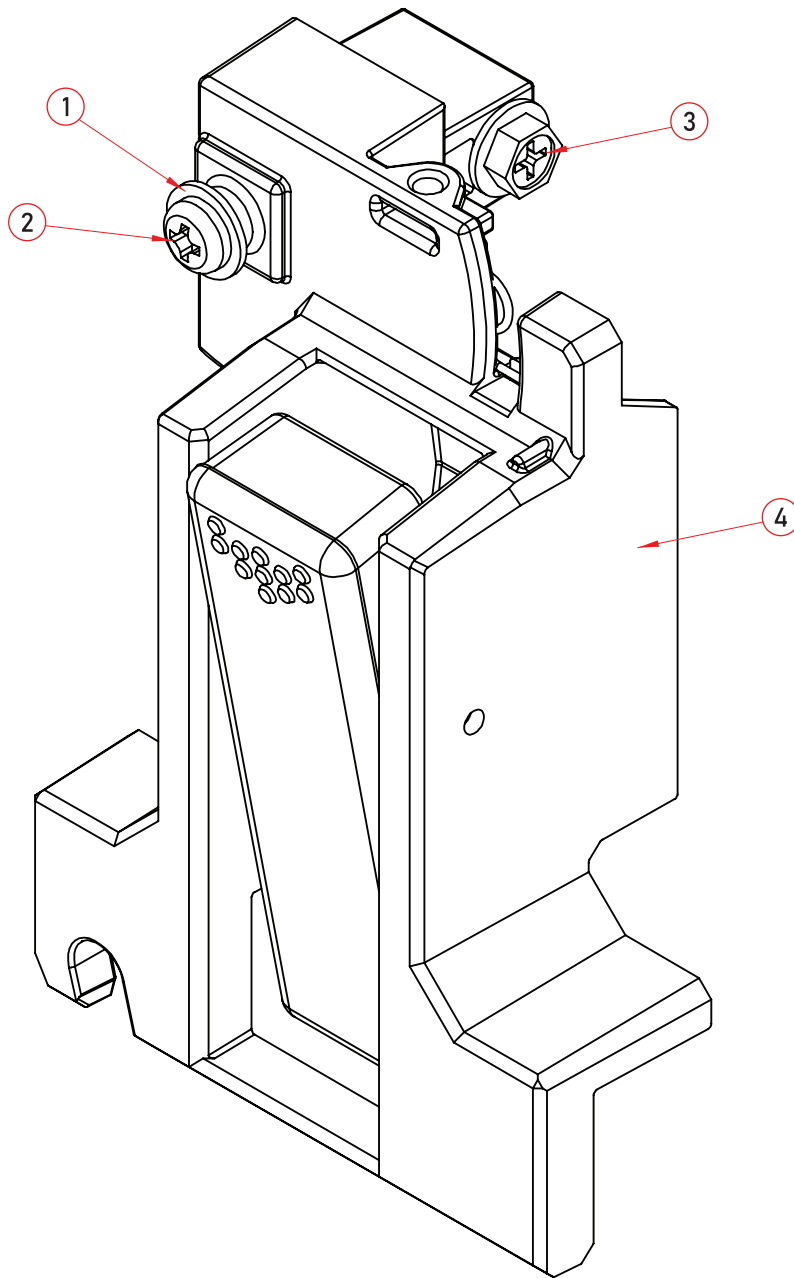
Description: Fence Assembly, Replacement, CTS



Front-Fence Head Assembly

Part Number: CTS-053

Description: Fence Head Assembly, Front, CTS



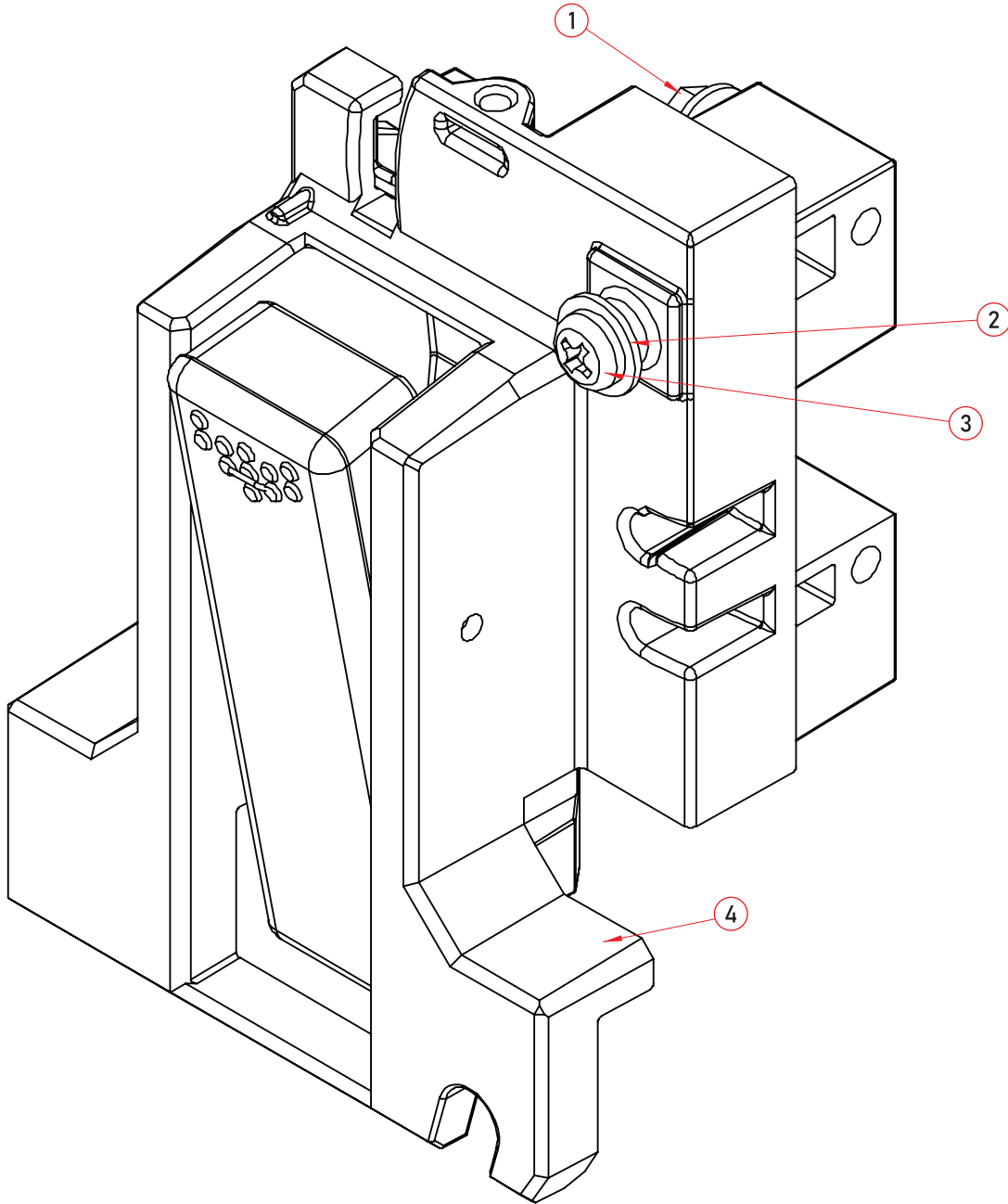
BILL OF MATERIALS

ITEM NO.	DESCRIPTION	QTY
1	Washer, M5, Flat, 12mm ODx1mm THK, Black Zinc	1
2	Screw, M5x0.8, 12mm, Button Head, Phillips, Black Zinc	1
3	Bolt, M5x0.8, 12mm, Hex Flange, Phillips, Black Zinc	2
4	Front Fence Head Assembly, CTS	1

Rear-Fence Head Assembly

Part Number: CTS-054

Description: Fence Head Assembly, Rear, CTS



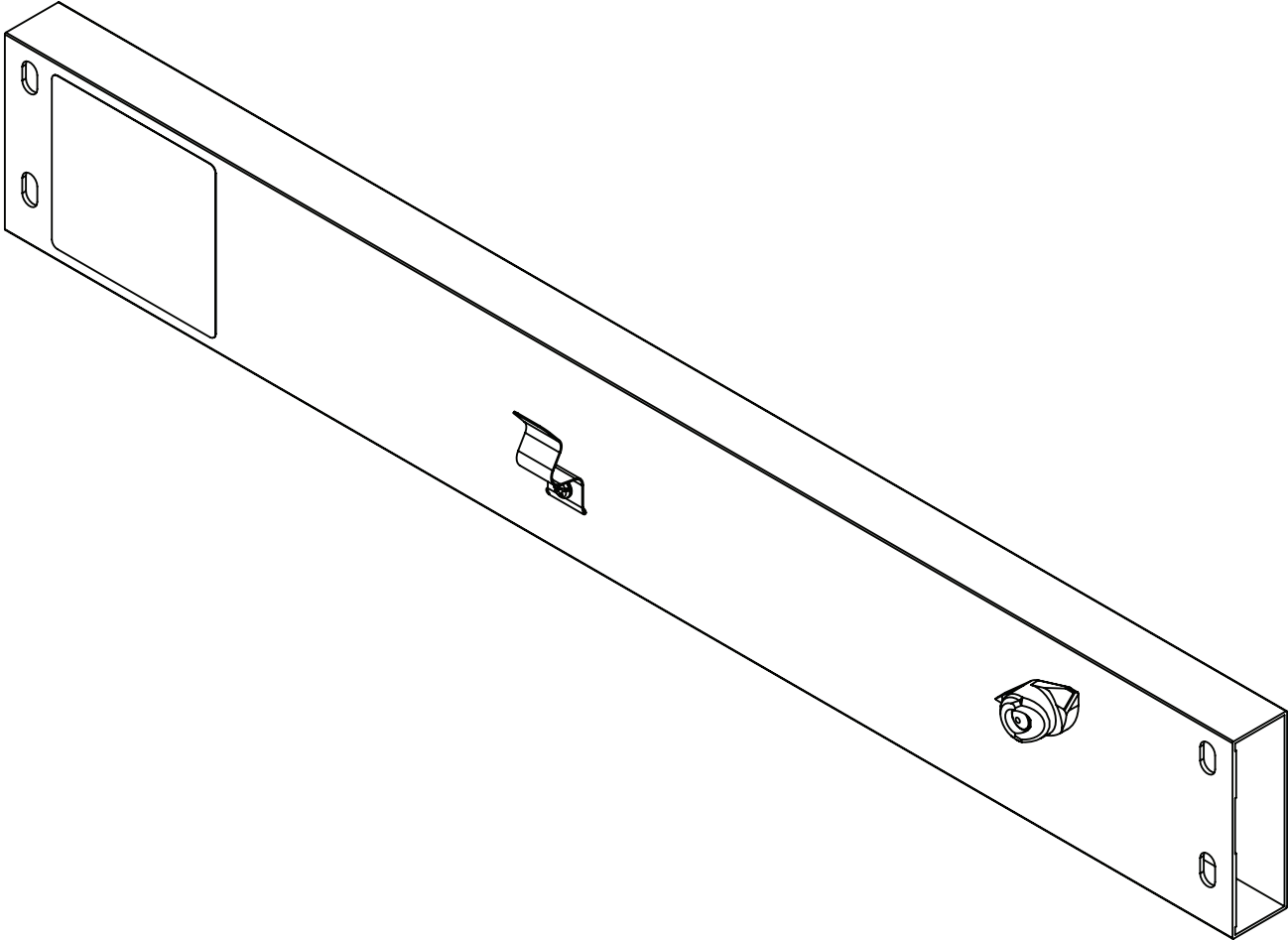
BILL OF MATERIALS

ITEM NO.	DESCRIPTION	QTY
1	Bolt, M5x0.8, 12mm, Hex Flange, Phillips, Black Zinc	2
2	Washer, M5, Flat, 12mm ODx1mm THK, Black Zinc	1
3	Screw, M5x0.8, 12mm, Button head, Phillips, Black Zinc	1
4	Rear Fence Head Assembly, CTS	1

Fence Tube Assembly

Part Number: CTS-055

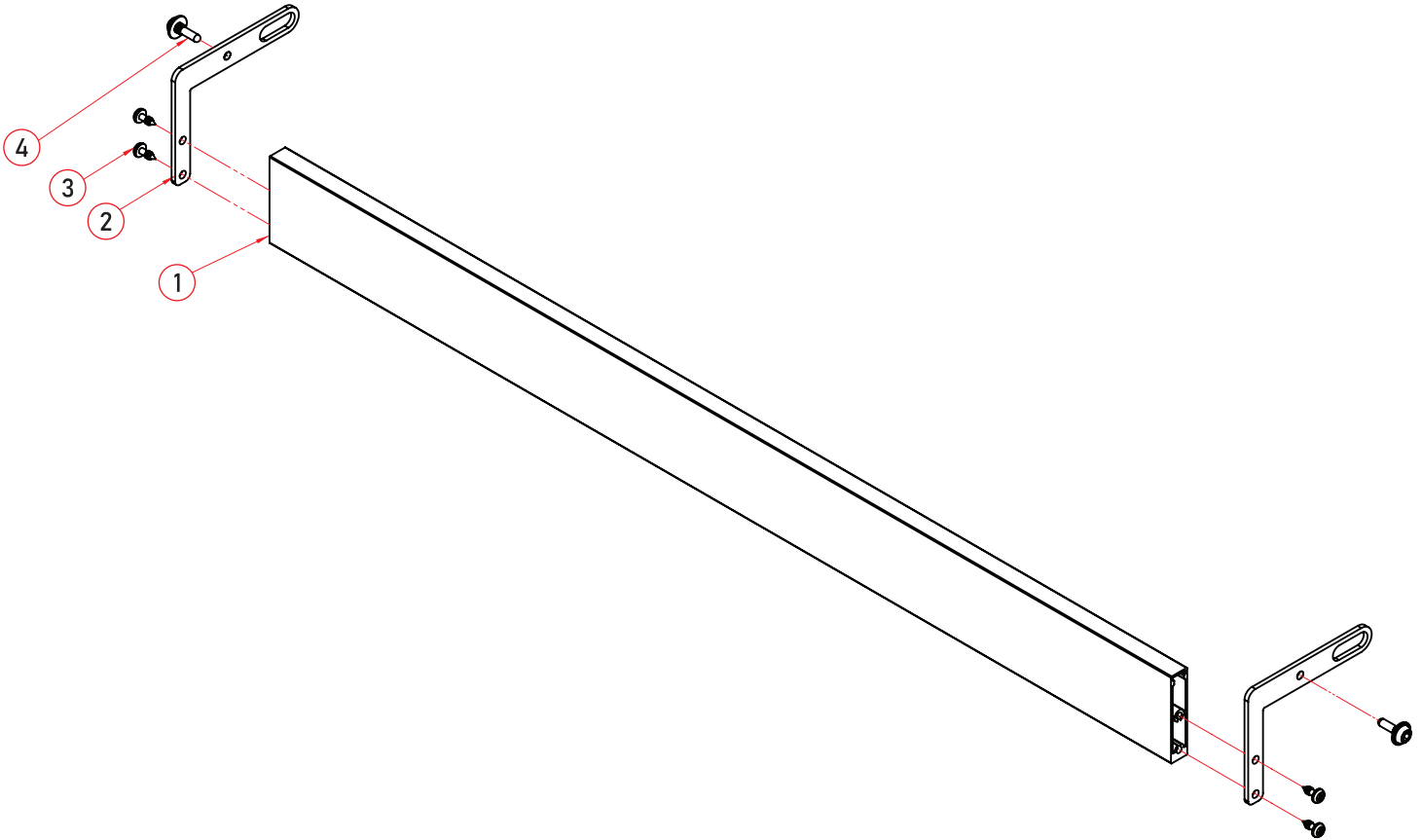
Description: Tube Assembly, Fence, CTS



Fence Shelf Assembly

Part Number: CTS-056

Description: Shelf Assembly, Fence, CTS



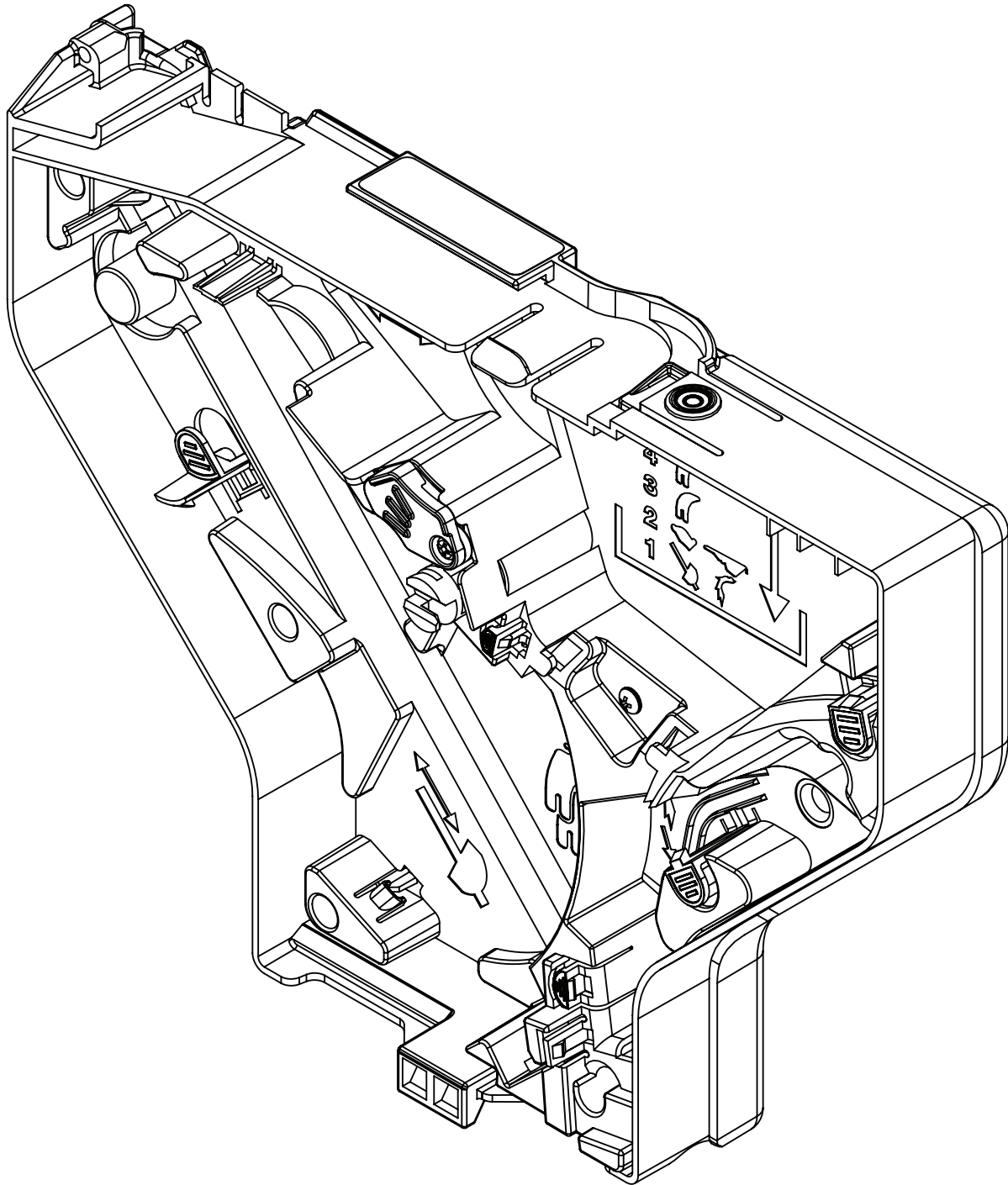
BILL OF MATERIALS

ITEM NO.	DESCRIPTION	QTY
1	Shelf, Fence, CTS	1
2	Bracket, Fence Shelf, CTS	2
3	Screw, M4x1.41, 10mm, Pan Head, Phillips, Thread Cutting, Black Zinc	4
4	Screw, M5x0.8, 14mm, Partially Threaded, Pivot, Fence Shelf, Black Zinc, CTS	2

Storage Assembly

Part Number: CTS-057

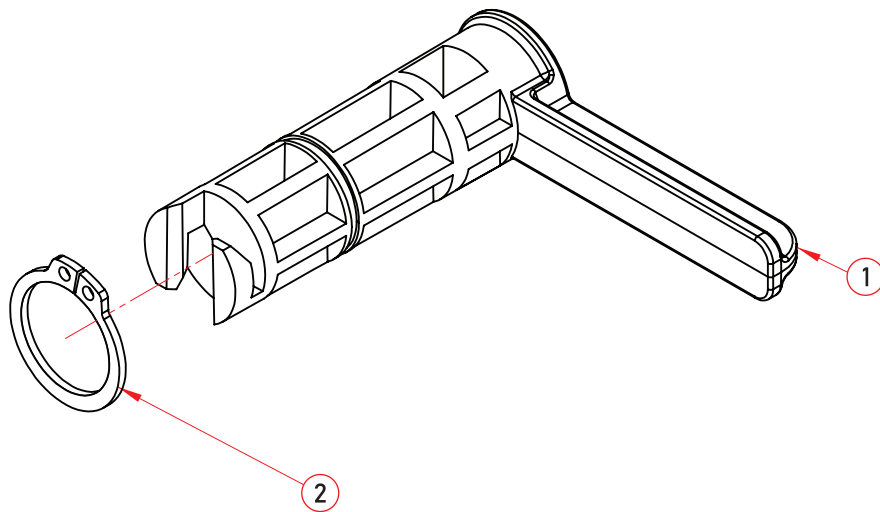
Description: Storage Assembly, Replacement, CTS



Storage Box Lock Handle

Part Number: CTS-058

Description: Lock Handle, Storage Box, Replacement, CTS



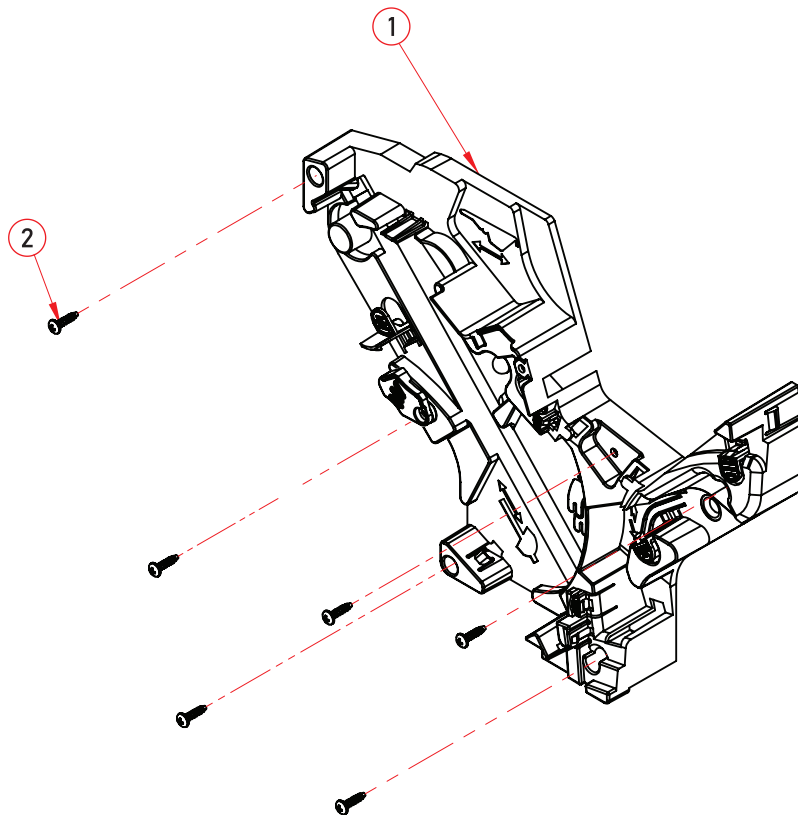
BILL OF MATERIALS

ITEM NO.	DESCRIPTION	QTY
1	Lock, Handle, Storage Box, CTS	1
2	Retaining Ring, External, 18mm, Black Zinc	1

Storage Box Insert

Part Number: CTS-059

Description: Insert, Storage Box, Replacement, CTS



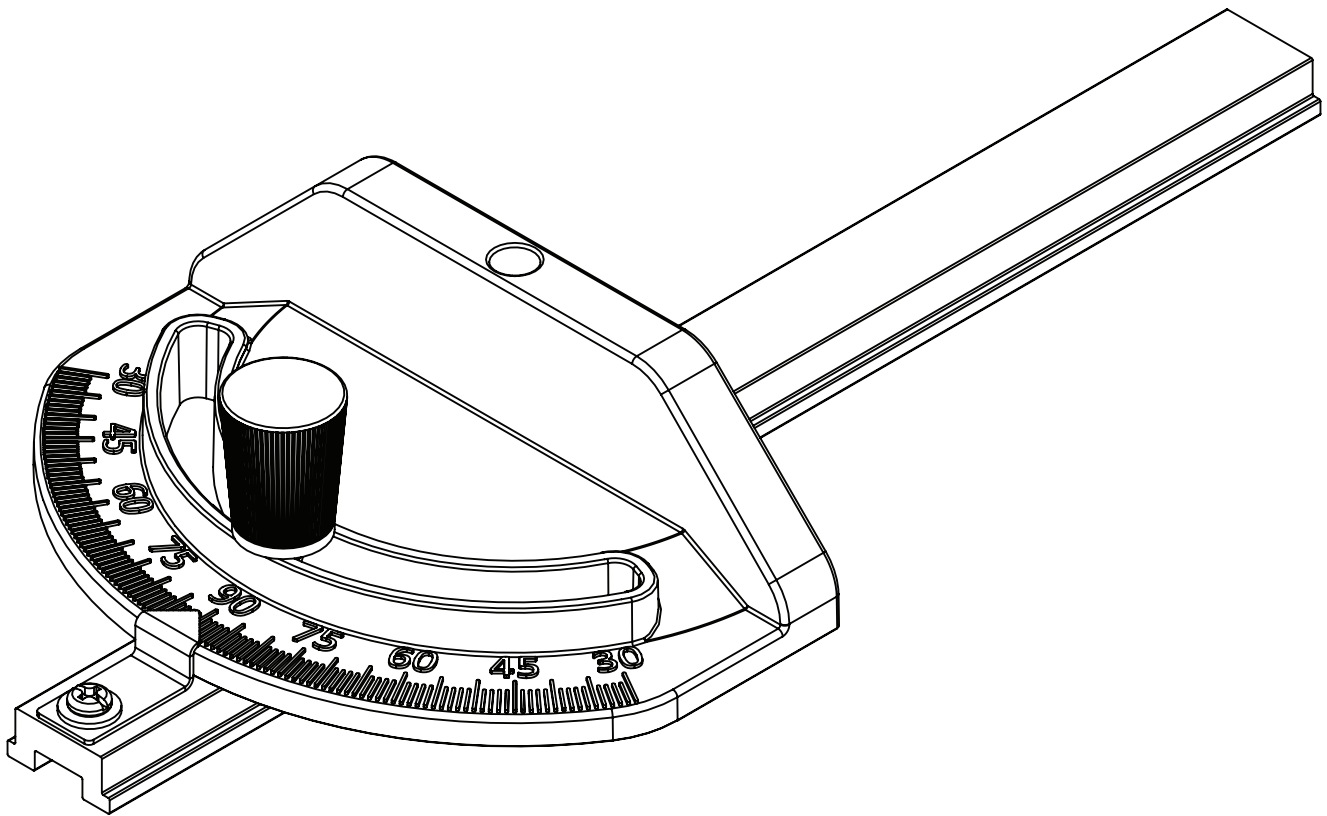
BILL OF MATERIALS

ITEM NO.	DESCRIPTION	QTY
1	Insert, Storage Box, CTS	1
2	Screw, M4x1.8, 16mm, Button Head, Phillips, Thread Cutting, Black Zinc	6

Miter Gauge Assembly

Part Number: CTS-065

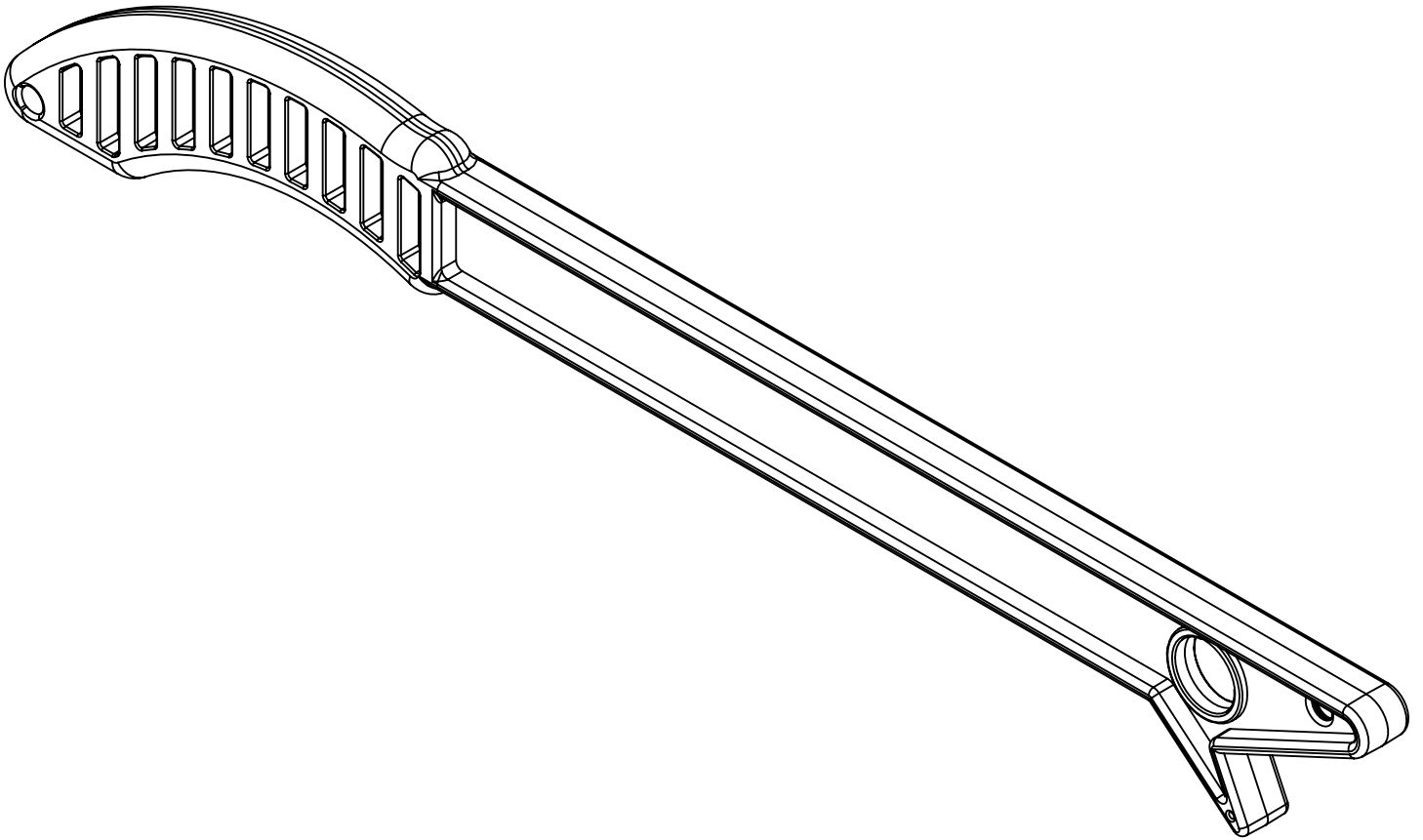
Description: Miter Gauge Assembly, Replacement, CTS



Push Stick

Part Number: CTS-066

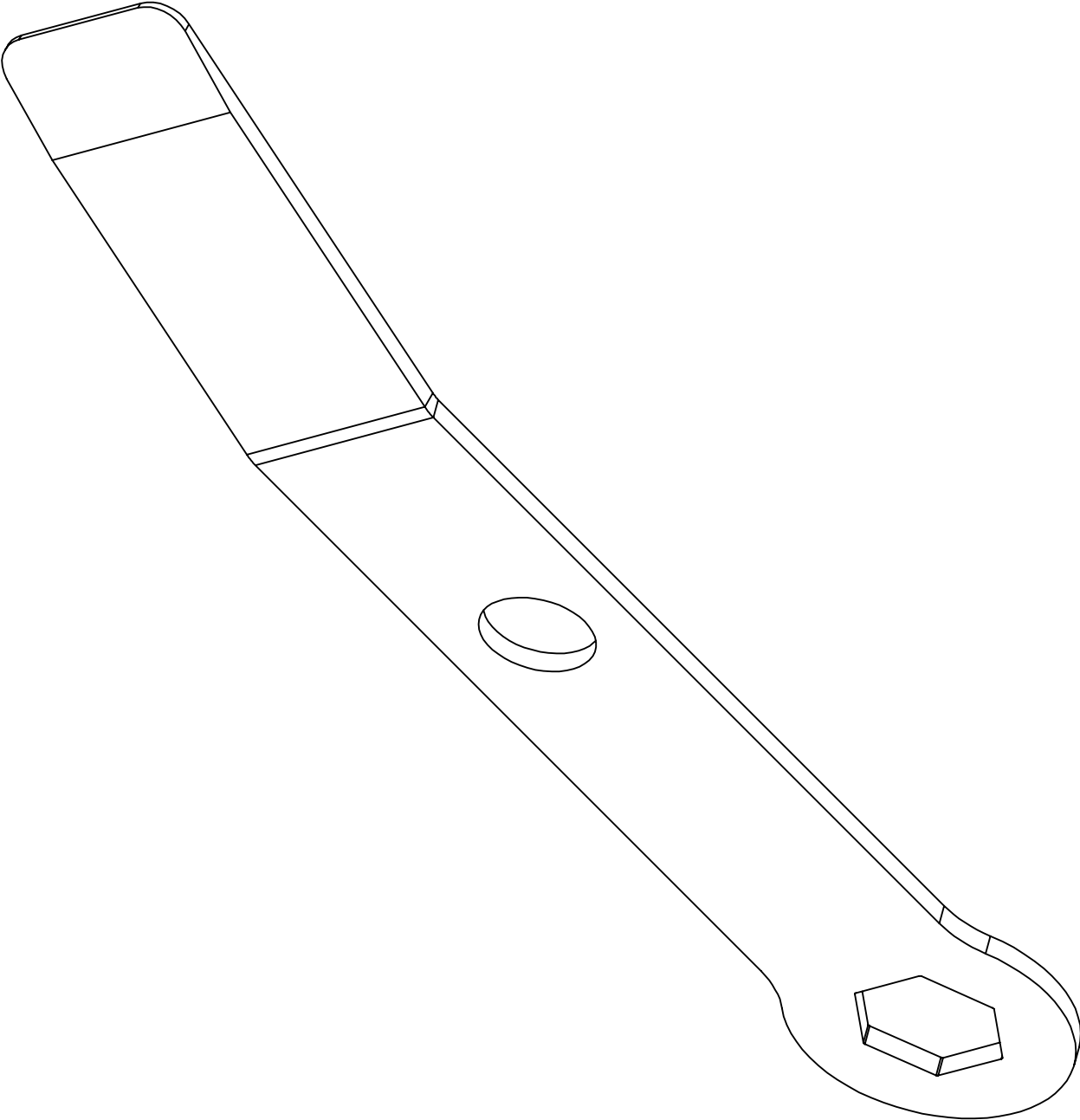
Description: Push Stick, JSS2



Arbor Nut Wrench

Part Number: CTS-067

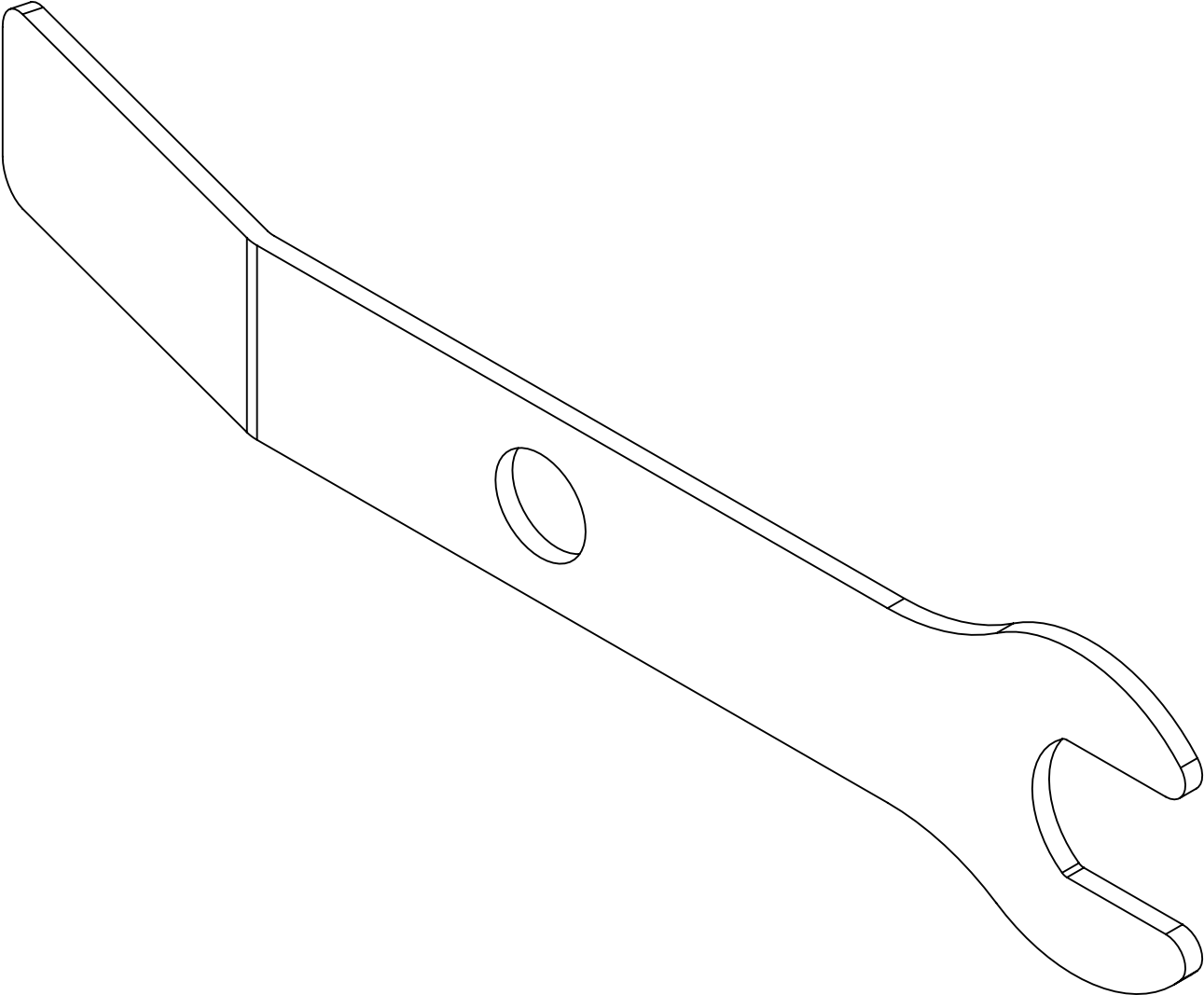
Description: Wrench, Arbor Nut, CTS



Arbor Flange Wrench

Part Number: CTS-068

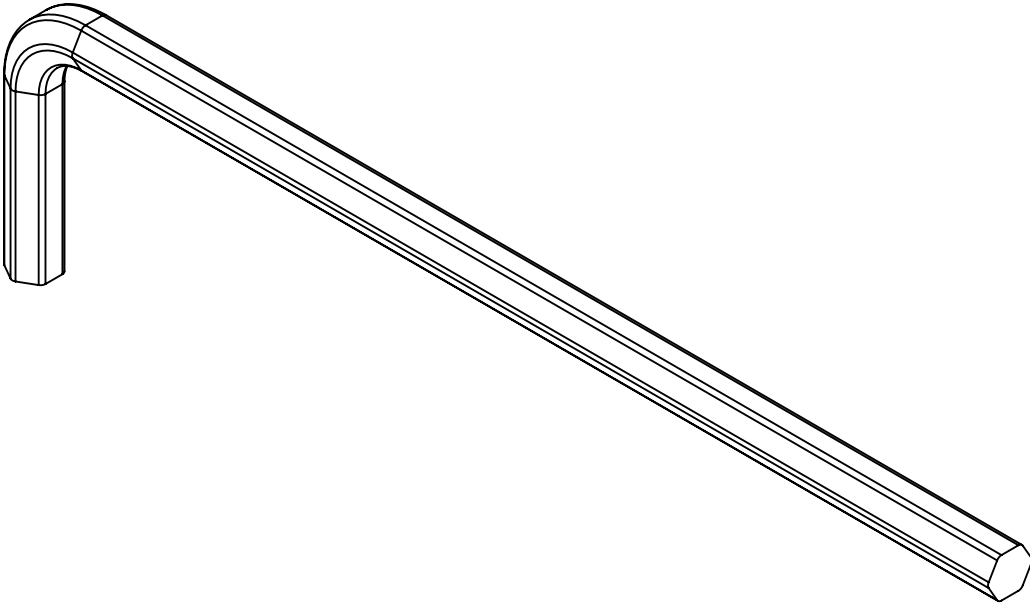
Description: Wrench, Arbor Flange, CTS



4mm Hex L-Wrench

Part Number: CTS-069

Description: L-Wrench, Hex, 96mm Long, 4mm, Silver Zinc



Ruler Label

Part Number: CTS-073

Description: Ruler, Inches, CTS



Ruler Label (Metric)

Australia Version

Part Number: CTS-074

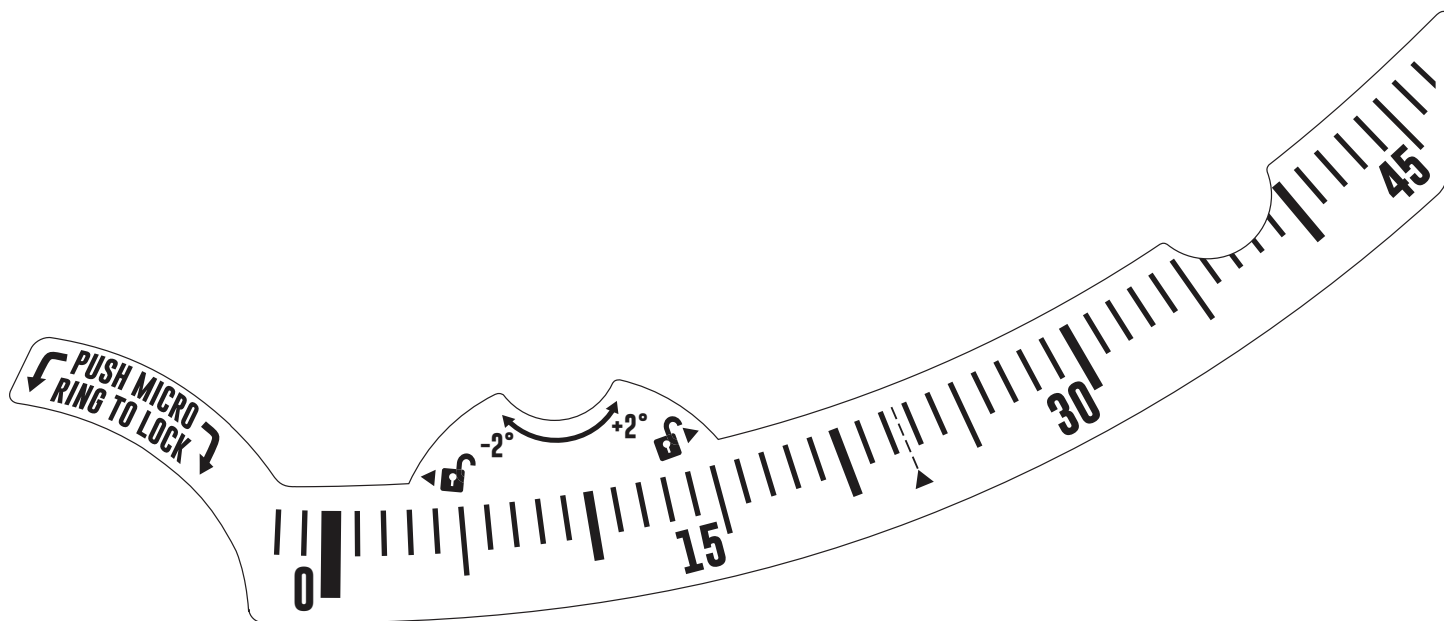
Description: Ruler, Metric, CTS-AU



Tilt Label

Part Number: CTS-075

Description: Label, Tilt, CTS



Front Logo Label

Part Number: CTS-076

Description: Label, SawStop, Front Panel, CTS



Storage Logo Label

Part Number: CTS-077

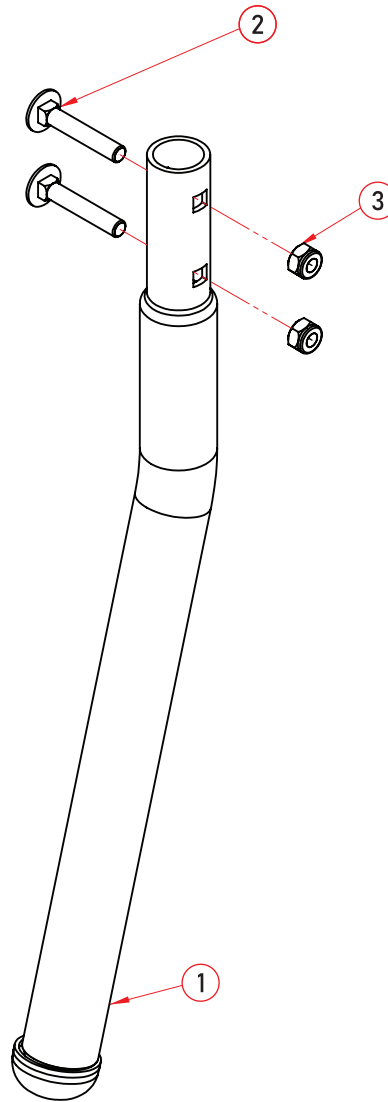
Description: Label, SawStop, Storage Box, CTS



Extension Leg

Part Number: CTS-060

Description: Leg, Extension, Replacement, CTS

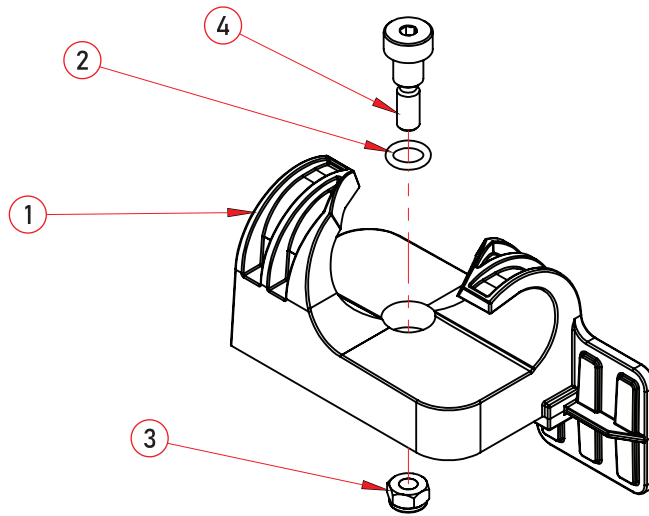


BILL OF MATERIALS		
ITEM NO.	DESCRIPTION	QTY
1	Leg Assembly, Extension, CTS	1
2	Bolt, M6x1.0, 35mm, Carriage Head, Black Zinc	2
3	Nut, M6x1.0, Nylon Insert, Black Zinc	2

CTS Clamp

Part Number: CTS-061

Description: Clamp, Frame, Stand, Replacement, CTS



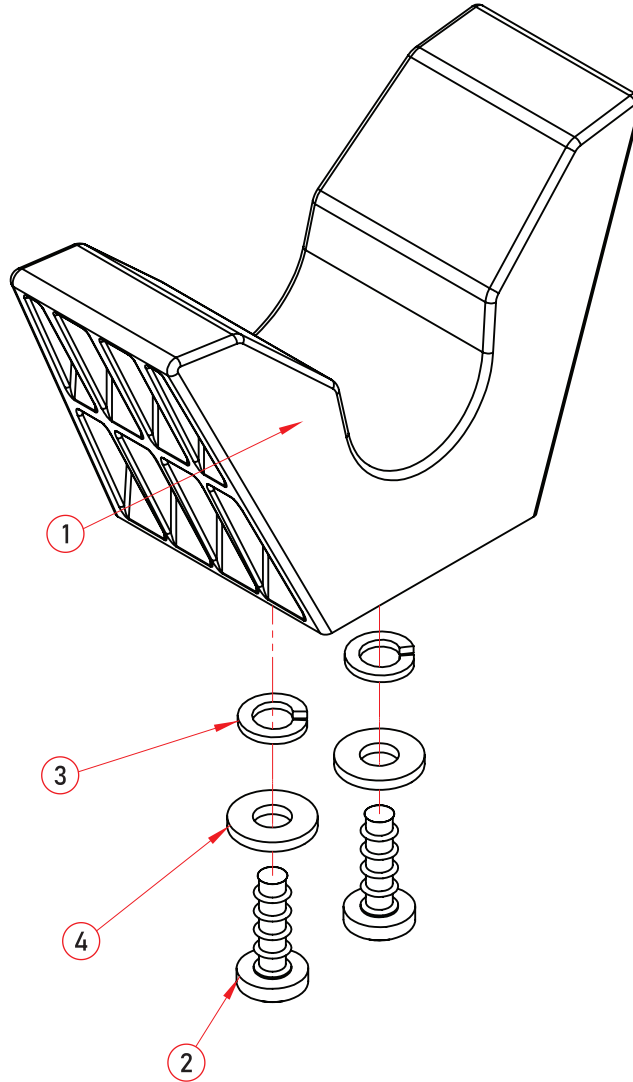
BILL OF MATERIALS

ITEM NO.	DESCRIPTION	QTY
1	Clamp, Frame, Stand, CTS	1
2	O-Ring, Nitrile, 70A, 8mm ID, 2mm THK	1
3	Nut, M6x1.0, Nylon Insert, Black Zinc	1
4	Bolt, Shoulder, 8mm ODx15mm, M6x1.0, Socket, Black Zinc	1

Stand Frame Bumper

Part Number: CTS-062

Description: Bumper, Frame, Stand, Replacement, CTS



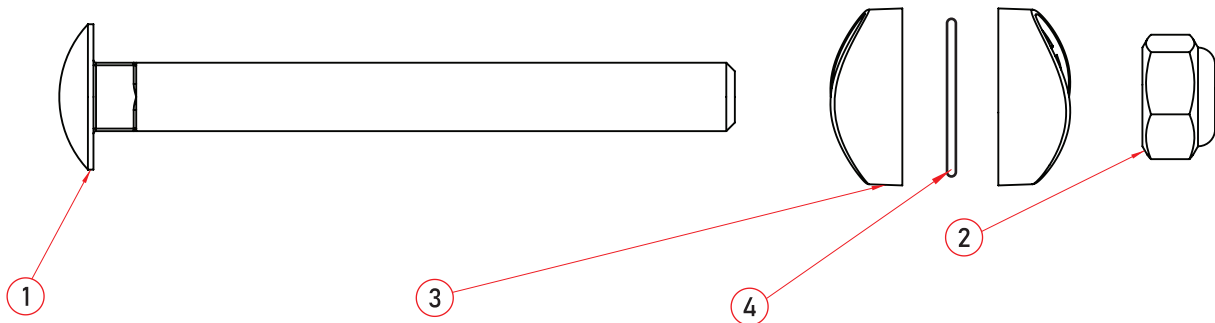
BILL OF MATERIALS

ITEM NO.	DESCRIPTION	QTY
1	Bumper, Frame, Stand, CTS	1
2	Screw, M5x3, 15mm, Button Head, Phillips, Plastitite	2
3	Washer, M5, Lock, Black Zinc	2
4	Washer, M5, Flat, 12mm ODx1.5mm THK, Black Zinc	2

Stand Pivot Hardware Bag

Part Number: CTS-063

Description: Stand Pivot Hardware Bag for CTS-FS



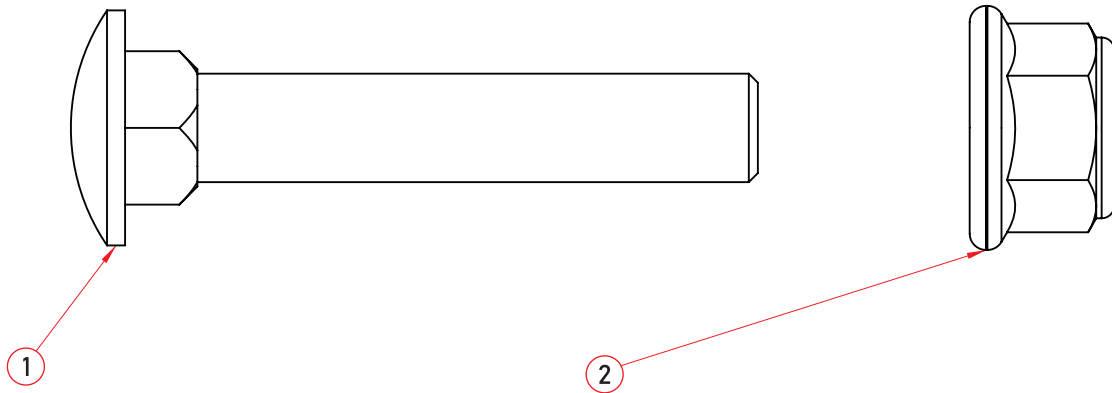
BILL OF MATERIALS

ITEM NO.	DESCRIPTION	QTY
1	Bolt, M8x1.25, 75mm, Carriage Head, Black Zinc	2
2	Nut, M8x1.25, Nylon Insert, Black Zinc	2
3	Bushing, Pivot, Stand, CTS	4
4	O-Ring, Nitrile, 70A, 12mm IDx2mm THK	1

Stand Hardware Bag

Part Number: CTS-064

Description: Hardware Bag, Stand, CTS-FS



BILL OF MATERIALS		
ITEM NO.	DESCRIPTION	QTY
1	Bolt, M6x1.0, 35mm, Carriage Head, Black Zinc	8
2	Nut, M6x1.0, Flange, Nylon Insert, Black Zinc	8



SawStop, LLC
11555 SW Myslony Street
Tualatin, Oregon 97062 USA
SawStop.com

Main Phone - (503) 570-3200
Service - (503) 582-9934
Fax - (503) 570-3303
Email: info@SawStop.com